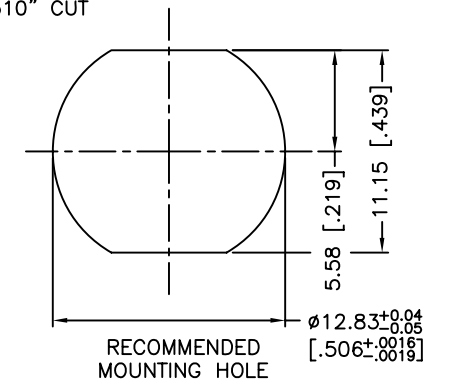
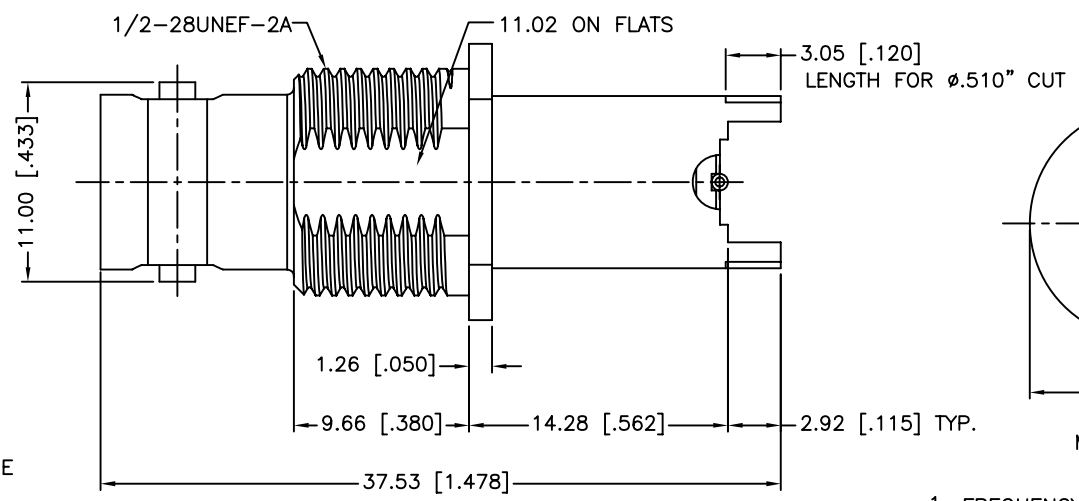
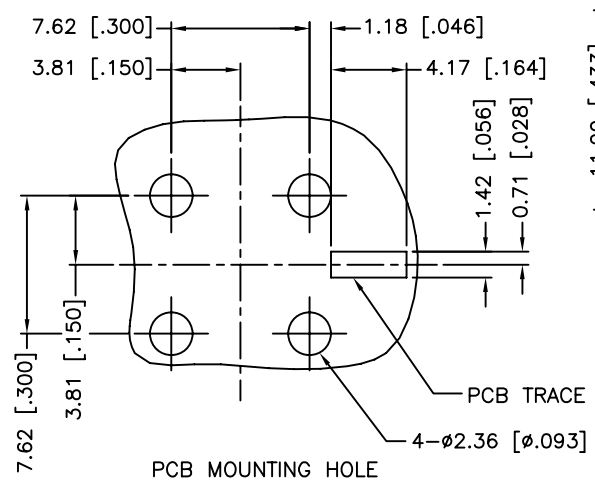
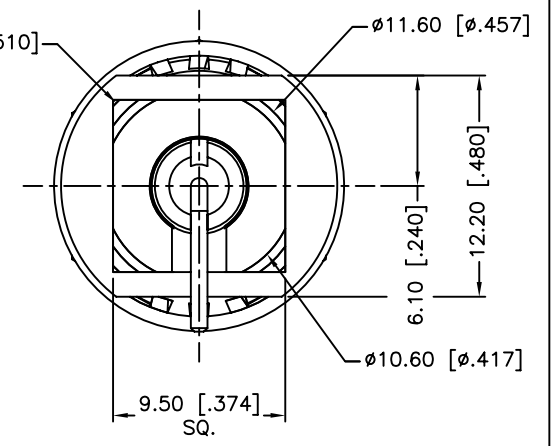
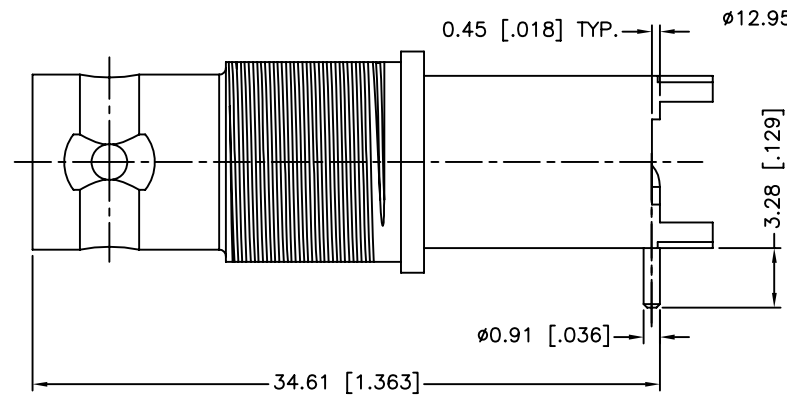
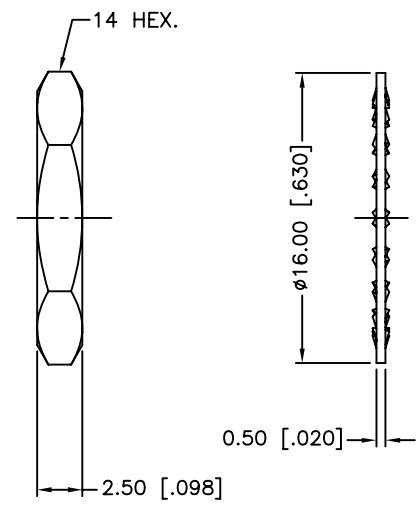


REV.	DATE	ECR NO.	DESCRIPTION
NC	05/18/10	XXXXXX	INITIAL RELEASE



1. FREQUENCY RANGE: DC - 3 GHz
2. VSWR(RETURN LOSS): 1.15 MAX DC - 3GHz
3. MAX. PANEL THICKNESS=6mm

DESCRIPTION	MATERIAL	FINISH	QTY	
8	HEX. NUT	BRASS	NICKEL	1
7	LOCK WASHER	PHOSPHOR BRONZE	NICKEL	1
6	INSULATOR	PTFE	NATURAL	1
5	CONTACT-REAR	BRASS	GOLD	1
4	INSULATOR	PTFE	NATURAL	1
3	CONTACT PIN	BERYLLIUM COPPER	GOLD	1
2	LOCK RING	BRASS	NICKEL	1
1	MAIN BODY	BRASS	NICKEL	1

UNLESS OTHERWISE SPECIFIED DIMENSIONS ARE IN MILLIMETERS. DIMENSIONS IN [ ] ARE IN INCHES AND FOR CUSTOMER REFERENCE ONLY.

UNLESS OTHERWISE SPECIFIED TOLERANCES FOR MILLIMETERS ARE:  
0.5 - 8mm ± 0.20mm  
8 - 30mm ± 0.40mm  
30 - 120mm ± 0.50mm

UNLESS OTHERWISE SPECIFIED TOLERANCES FOR INCHES ARE:  
.020 - .315 ± 0.007"  
.315 - 1.180 ± 0.015"  
1.180 - 4.724 ± 0.020"

DO NOT SCALE DRAWING

APPROVALS	DATE
DRAWN M.ZHANG	05/18/10
CHECKED	
ISSUED	
SHEET 1 OF 1	
CAD FILE C:/CONNEX/112803.DWG	

**Amphenol Connex**

PART DESCRIPTION  
**BNC P.C. MOUNT RECEPT. BULKHEAD JACK.  
WITH A BENT SMT CONTACT- 75 ohm**

PART NO.  
**112803**

DWG. NO. 112803.DWG    REV. NC    SIZE A    SCALE NA