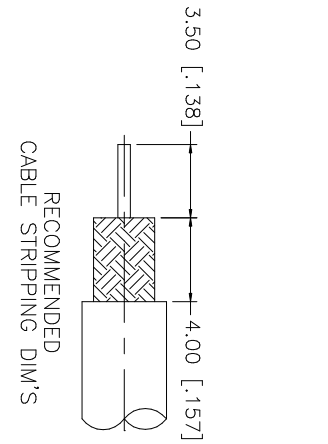
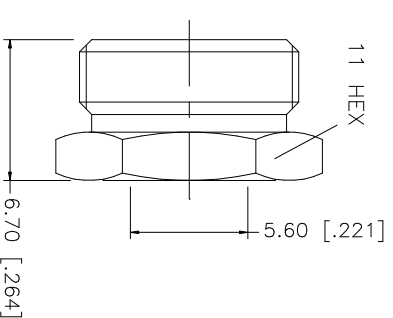
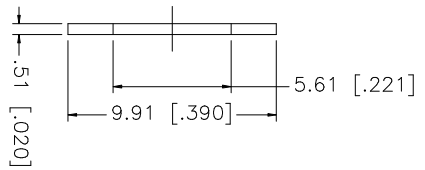
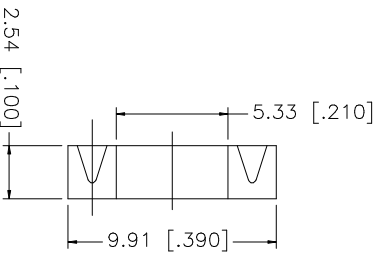
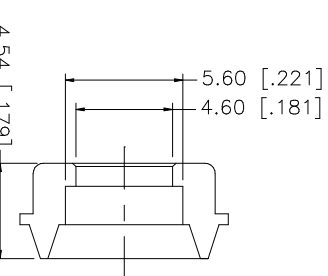
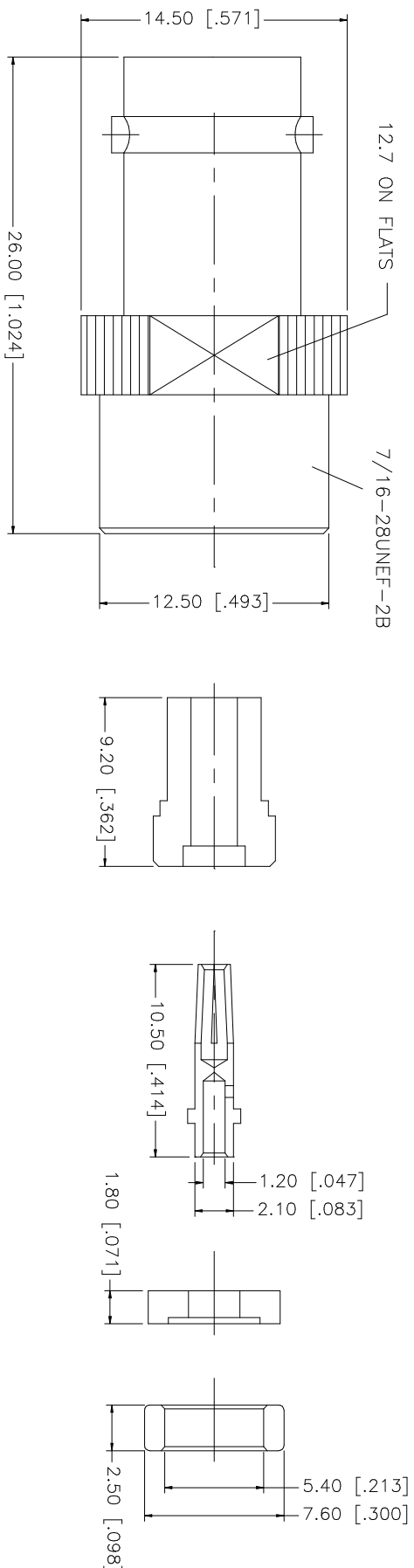


REV.	DATE	DESCRIPTION
NC	07/19/05	INITIAL RELEASE



9	HEX NUT	BRASS	NICKEL	1	UNLESS OTHERWISE SPECIFIED DIMENSIONS ARE IN MILLIMETERS. DIMENSIONS IN [ ] ARE IN INCHES AND FOR CUSTOMER REFERENCE ONLY. UNLESS OTHERWISE SPECIFIED TOLERANCES FOR MILLIMETERS: 0.5 - 8mm ± 0.20mm 8 - 30mm ± 0.40mm 30 - 120mm ± 0.50mm UNLESS OTHERWISE SPECIFIED TOLERANCES FOR INCHES ARE: .020 - .315 = ± 0.007" .315 - 1.180 = ± 0.015" 1.180 - 4.724 = ± 0.020"	DO NOT SCALE DRAWING	CAD FILE C:/112/112372.DWG	DWG. NO. 112372.DWG	REV. NC	SIZE A	SCALE NA
8	WASHER	BRASS	NICKEL	1							
7	GASKET	SILICONE	RED	1							
6	BRAID CLAMP	BRASS	NICKEL	1							
5	RING	BRASS	NICKEL	1							
4	INSULATOR	TEFLON	NATURAL	1							
3	CONTACT PIN	PHOS. BRONZE	GOLD	1							
2	INSULATOR	TEFLON	NATURAL	1							
1	BODY	BRASS	NICKEL	1							
DESCRIPTION		MATERIAL		FINISH	QTY						

**Amphenol Connex**

PART DESCRIPTION  
BNC CLAMP JACK  
(FOR RG-58C/U, 58/U, 142A/U, 223/U)

PART NO.  
112372