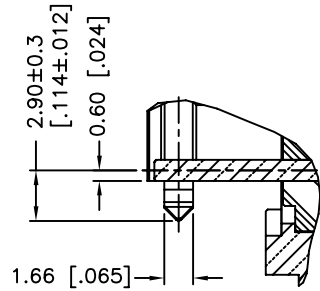
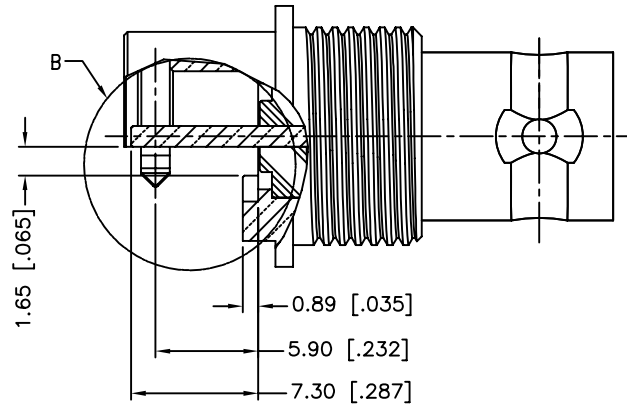
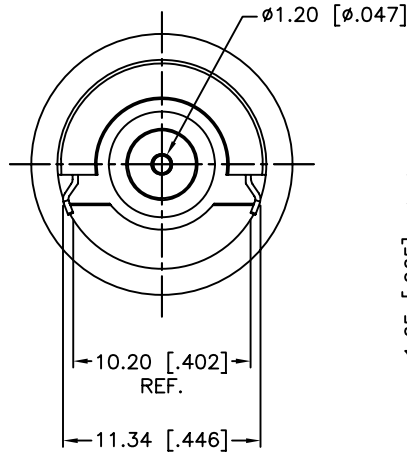
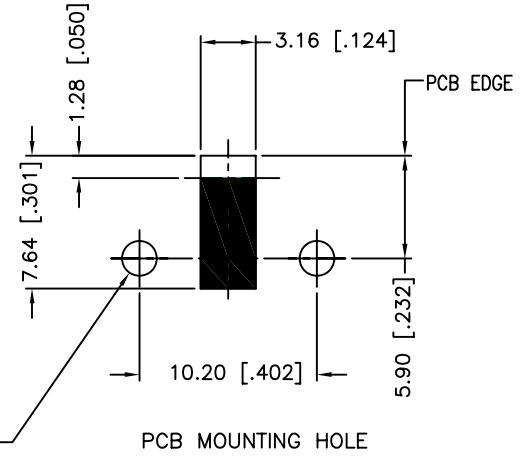
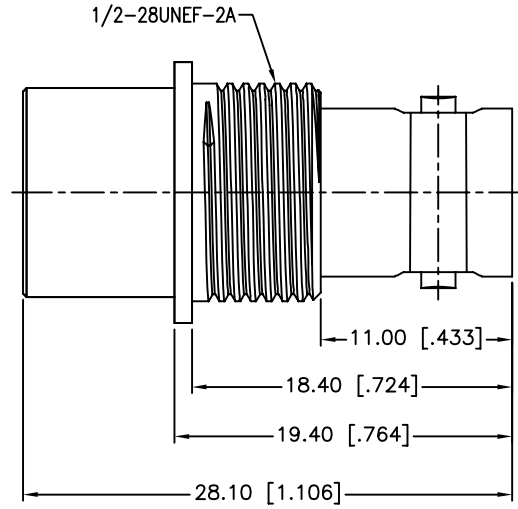


| REV. | DATE     | ECR NO. | DESCRIPTION                                 |
|------|----------|---------|---|
| NC   | 02/03/10 | XXXXXX  | INITIAL RELEASE                             |
| A    | 06/21/10 | 2059    | THE DIMENSION OF .067" WAS CHANGED TO .035" |



DETAIL B  
SCALE 4.000



1. FREQUENCY RANGE: DC 0-3 GHz
2. VSWR(RETURN LOSS): 1.15, MAX.

| DESCRIPTION   | MATERIAL                 | FINISH     | QTY |
|---------------|--------------------------|------------|-----|
| 6 LEG         | 301 1/2H STAINLESS STEEL | PASSIVATED | 1   |
| 5 INSULATOR   | PTFE                     | NATURAL    | 1   |
| 4 CONTACT PIN | PHOSPHOR BRONZE          | GOLD       | 1   |
| 3 INSULATOR   | PTFE                     | NATURAL    | 1   |
| 2 LOCK RING   | BRASS                    | NICKEL     | 1   |
| 1 HOUSING     | BRASS                    | NICKEL     | 1   |

| APPROVALS                        | DATE     |
|----------------------------------|----------|
| DRAWN M.ZHANG                    | 06/21/10 |
| CHECKED                          |          |
| ISSUED                           |          |
| SHEET 1 OF 1                     |          |
| CAD FILE C:/CONNEX/112775-75.DWG |          |

|   |                |                  |          |
|---|----------------|------------------|----------|
| <b>Amphenol Connex</b>                                |                |                  |          |
| PART DESCRIPTION<br><b>BNC PCB MOUNT RECEPT. JACK</b> |                |                  |          |
| PART NO.  |                | <b>112775-75</b> |          |
| DWG. NO.  | 112775-75 .DWG | REV. A           | SCALE NA |

UNLESS OTHERWISE SPECIFIED DIMENSIONS ARE IN MILLIMETERS. DIMENSIONS IN [ ] ARE IN INCHES AND FOR CUSTOMER REFERENCE ONLY.

UNLESS OTHERWISE SPECIFIED TOLERANCES FOR MILLIMETERS ARE:  
0.5 - 8mm ± 0.20mm  
8 - 30mm ± 0.40mm  
30 - 120mm ± 0.50mm

UNLESS OTHERWISE SPECIFIED TOLERANCES FOR INCHES ARE:  
.020 - .315 = ± 0.007"  
.315 - 1.180 = ± 0.015"  
1.180 - 4.724 = ± 0.020"

DO NOT SCALE DRAWING