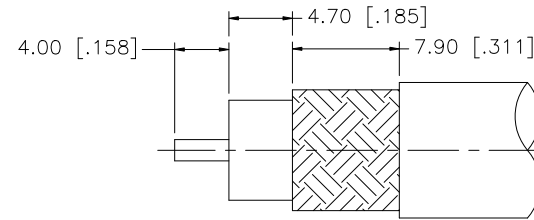
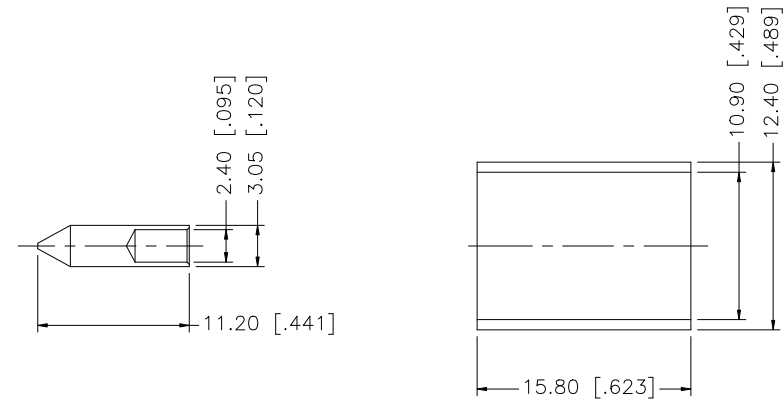
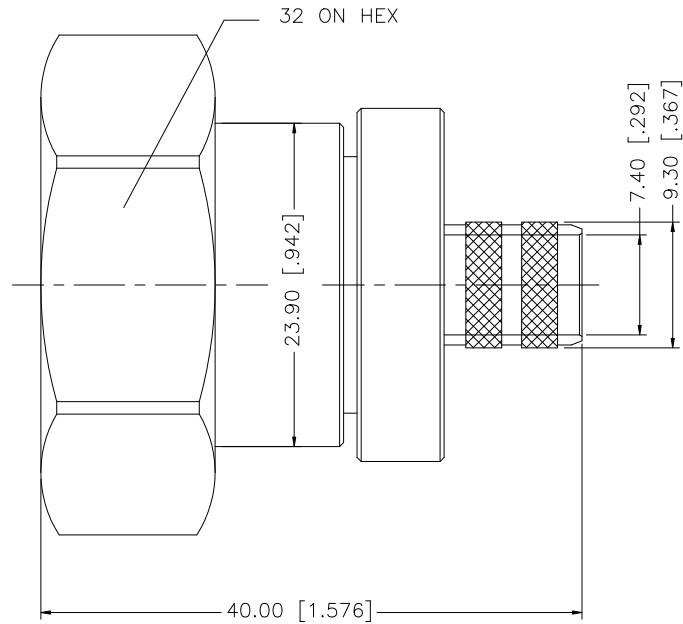


REV.	DATE	ECR NO.	DESCRIPTION
A	12/29/00	-	REVISE PLATING TO SILVER
B	06/01/04	-	UPDATE DRAWING FORMAT
C	04/19/06	-	REVISE BODY PLATING TO NEXCOTE
D	12/17/06	-	REVISE BODY STYLE TO 32 HEX
E	12/28/08	100070	REVISE BODY FORMAT



RECOMMENDED CABLE STRIPPING DIM'S

NOTES:

1. CRIMPED FERRULE HEX CRIMP SIZE .429"

DESCRIPTION	MATERIAL	FINISH	QTY	DO NOT SCALE DRAWING	CAD FILE	DWG. NO.	REV.	SIZE	SCALE
8									
7									
6									
5									
4	FERRULE	COPPER	NEXCOTE	1					
3	CONTACT PIN	BRASS	SILVER	1					
2	INSULATOR	PTFE	NATURAL	1					
1	BODY	BRASS	NEXCOTE	1					
<small>UNLESS OTHERWISE SPECIFIED DIMENSIONS ARE IN MILLIMETERS. DIMENSIONS IN [] ARE IN INCHES AND FOR CUSTOMER REFERENCE ONLY.</small> <small>UNLESS OTHERWISE SPECIFIED TOLERANCES FOR MILLIMETERS ARE: 0.5 - 8mm ± 0.20mm 8 - 30mm ± 0.40mm 30 - 120mm ± 0.50mm</small> <small>UNLESS OTHERWISE SPECIFIED TOLERANCES FOR INCHES ARE: .020 - .315 = ± 0.007" .315 - 1.180 = ± 0.015" 1.180 - 4.724 = ± 0.020"</small>					APPROVALS	DATE	<h1 style="color: blue; text-align: center;">Amphenol Connex</h1> <p style="text-align: center;">PART DESCRIPTION</p> <h2 style="text-align: center;">7/16 STRAIGHT PLUG (FOR LMR400, BELDEN 9913 CABLE)</h2> <p style="text-align: center;">PART NO.</p> <h3 style="text-align: center;">272107</h3>		
DRAWN	GRS	12/28/08							
CHECKED									
ISSUED									
SHEET	1 OF 1								
<small>UNLESS OTHERWISE SPECIFIED DIMENSIONS ARE IN MILLIMETERS. DIMENSIONS IN [] ARE IN INCHES AND FOR CUSTOMER REFERENCE ONLY.</small>					CAD FILE	DWG. NO.	REV.	SIZE	SCALE
DO NOT SCALE DRAWING					C:/272/272107.DWG	272107.DWG	E	A	NA