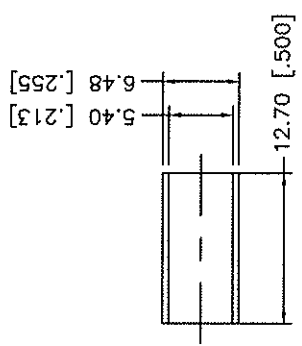
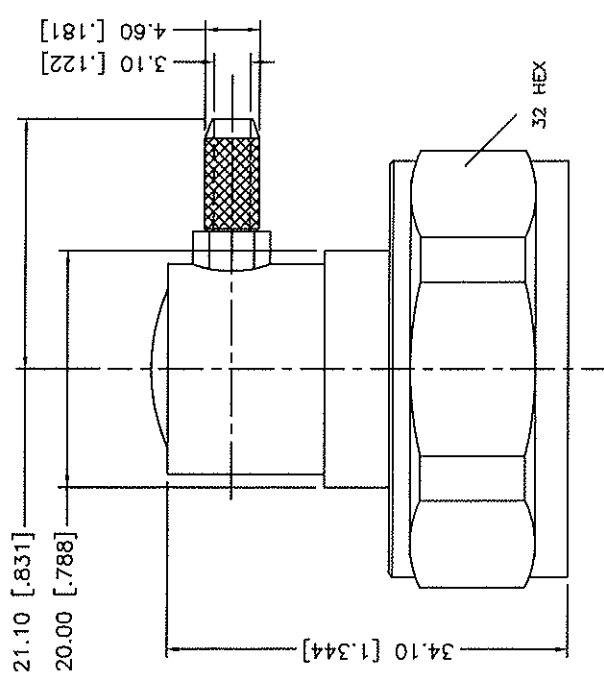


REV.	DATE	ECR NO.	DESCRIPTION
A	12/29/00	-	REVISE PLATING TO SILVER
B	07/30/06	-	REVISE PLATING TO NEXCOTE, UPDATE DRAWING FORMAT
C	07/27/08	-	REVISE MATING FACE TO 32 HEX NUT, FERRULE I.D.



RECOMMENDED CABLE STRIPPING DIM'S

NOTE:

1. CRIMPED FERRULE HEX CRIMP SIZE .213"
2. CONTACT PIN TO SOLDER

APPROVALS		DATE
DRAWN	GRS	07/27/08
CHECKED		
ISSUED		
SHEET	1 OF 1	
CAD FILE	C:/272/272111.DWG	

UNLESS OTHERWISE SPECIFIED DIMENSIONS ARE IN MILLIMETERS DIMENSIONS IN [] ARE IN INCHES AND FOR CUSTOMER REFERENCE ONLY.	
UNLESS OTHERWISE SPECIFIED TOLERANCES FOR MILLIMETERS ARE:	
0.5 - 8mm	± 0.20mm
8 - 30mm	± 0.40mm
30 - 120mm	± 0.50mm
UNLESS OTHERWISE SPECIFIED TOLERANCES FOR INCHES ARE:	
.020 - .315	± 0.007"
.315 - 1.180	± 0.015"
1.180 - 4.724	± 0.020"

DESCRIPTION	MATERIAL	FINISH	QTY
FERRULE COVER	BRASS	NEXCOTE	1
GASKET	BRASS	NEXCOTE	1
CONTACT PIN	SILICONE	BLACK	1
INSULATOR	BER. COPPER	SILVER	1
BODY	PTEE	NATURAL	1
	BRASS	NEXCOTE	1
DESCRIPTION	MATERIAL	FINISH	QTY

REV. C	SIZE A	SCALE NA
272111.DWG	272111.DWG	272111

Amphenol Connex

7/16 R/A CRIMP PLUG
(FOR RG-58/U, LMR 195 CABLE)

PART NO. 272111

DWG. NO. 272111.DWG

REV. C

SIZE A

SCALE NA