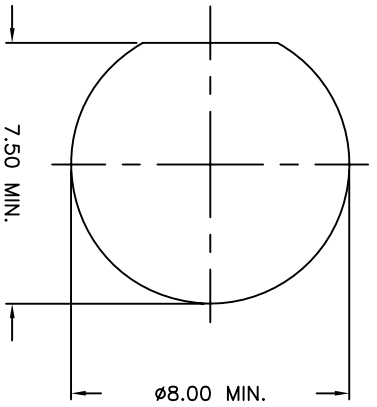
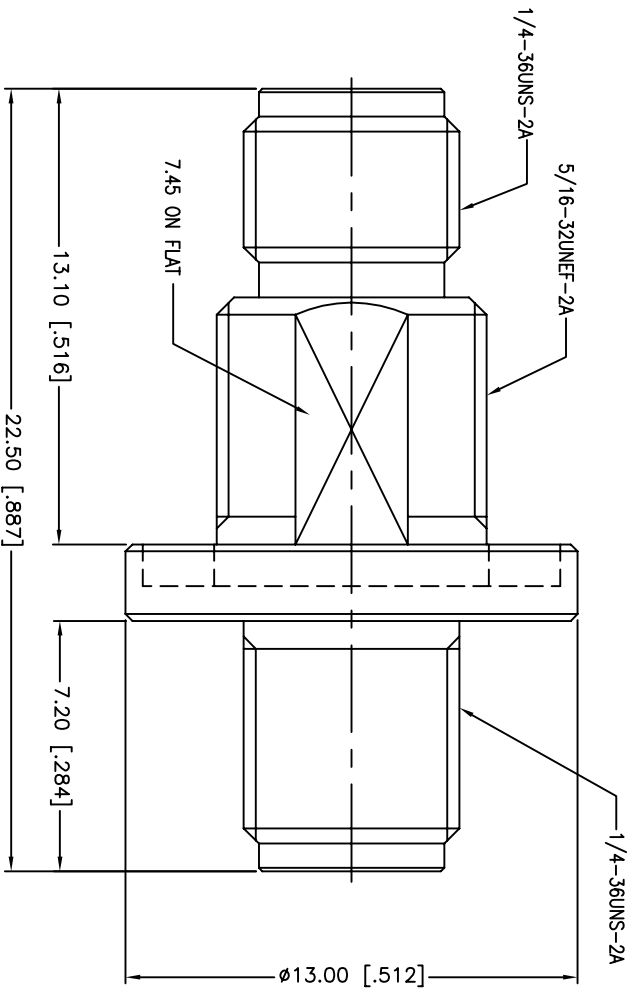
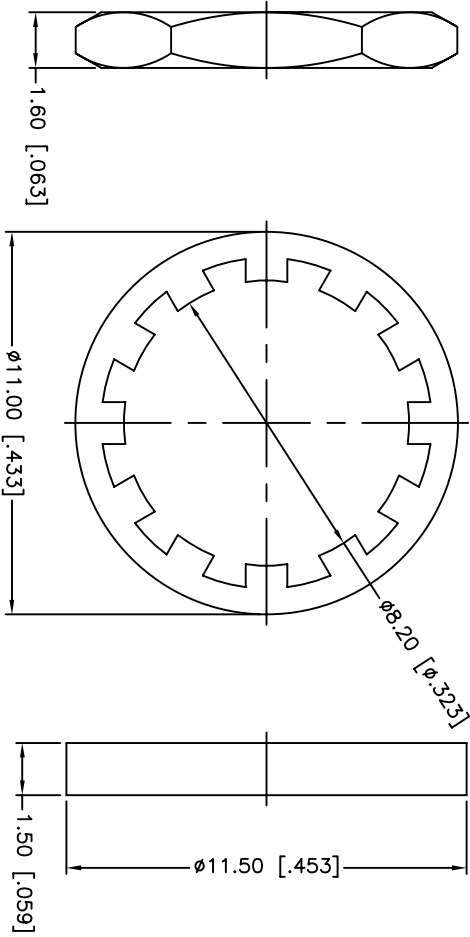


REV.	DATE	ECR NO.	DESCRIPTION
NC	08/12/09	XXXXXX	INITIAL RELEASE



RECOMMENDED MOUNTING HOLE

1. MAX. PANEL THICKNESS=4.3mm



QTY	FINISH	MATERIAL	DESCRIPTION
1	GOLD	BRASS	HEX NUT
1	GOLD	BRASS	LOCK WASHER
1	GOLD	BER. COPPER	CONTACT PIN
1	RED	SILICON RUBBER	O-RING
1	NATURAL	PTFE	INSULATOR
1	GOLD	BRASS	BODY

UNLESS OTHERWISE SPECIFIED DIMENSIONS ARE IN INCHES AND FOR CUSTOMER REFERENCE ONLY.
 TOLERANCES FOR MILLIMETERS ARE:
 UNLESS OTHERWISE SPECIFIED
 0.5 - 8mm ± 0.20mm
 8 - 30mm ± 0.40mm
 30 - 120mm ± 0.50mm
 UNLESS OTHERWISE SPECIFIED DIMENSIONS FOR INCHES ARE:
 TOLERANCES FOR INCHES ARE:
 .020 - .315 = ± 0.007"
 .315 - 1.180 = ± 0.015"
 1.180 - 4.724 = ± 0.020"

APPROVALS	DATE
DRAWN C.WANG	08/12/09
CHECKED	
ISSUED	
SHEET 1 OF 1	

Amphenol Connex

PART DESCRIPTION
SMA BULKHEAD JACK TO JACK ADAPTOR

PART NO. **132170-10**

DO NOT SCALE DRAWING

CAD FILE C:/CONNEX/132170-10.DWG

DWG. NO. 132170-10.DWG

REV. NC

SIZE A

SCALE NA