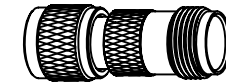
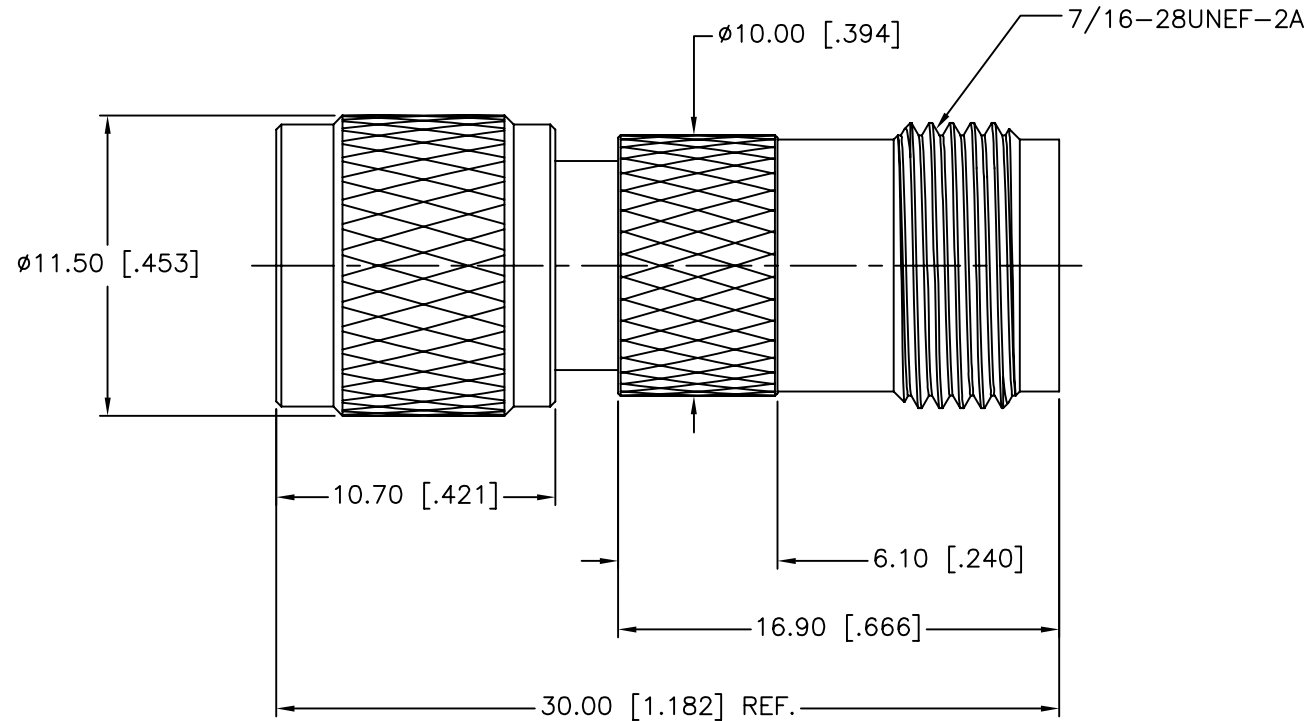


| REV. | DATE | ECR NO. | DESCRIPTION |
|------|----------|---------|-----------------|
| NC | 03/15/10 | XXXXXX | INITIAL RELEASE |



SCALE
1.500



| | | |
|---|----------------------|----------|
| <small>UNLESS OTHERWISE SPECIFIED DIMENSIONS ARE IN MILLIMETERS. DIMENSIONS IN [] ARE IN INCHES AND FOR CUSTOMER REFERENCE ONLY.</small> <small>UNLESS OTHERWISE SPECIFIED TOLERANCES FOR MILLIMETERS ARE:</small> 0.5 - 8mm \pm 0.20mm 8 - 30mm \pm 0.40mm 30 - 120mm \pm 0.50mm <small>UNLESS OTHERWISE SPECIFIED TOLERANCES FOR INCHES ARE:</small> .020 - .315 \pm 0.007" .315 - 1.180 \pm 0.015" 1.180 - 4.724 \pm 0.020" DO NOT SCALE DRAWING | APPROVALS | DATE |
| | DRAWN K.LI | 03/15/10 |
| | CHECKED | |
| | ISSUED | |
| | SHEET 1 OF 1 | |
| CAD FILE | C:/CONNEX/242242.DWG | |

Amphenol Connex

| | | | |
|---|------------|-------|----|
| PART DESCRIPTION | | | |
| MINI UHF MALE TO TNC FEMALE ADAPTER (50 OHM) | | | |
| PART NO. 242242 | | | |
| DWG. NO. | 242242.DWG | REV. | NC |
| SIZE | A | SCALE | NA |

| QTY | FINISH | MATERIAL | DESCRIPTION |
|-----|---------|------------------|-------------|
| 1 | NICKEL | BRASS | BODY |
| 1 | NATURAL | PTFE | INSULATOR |
| 1 | GOLD | BERYLLIUM COPPER | CONTACT PIN |