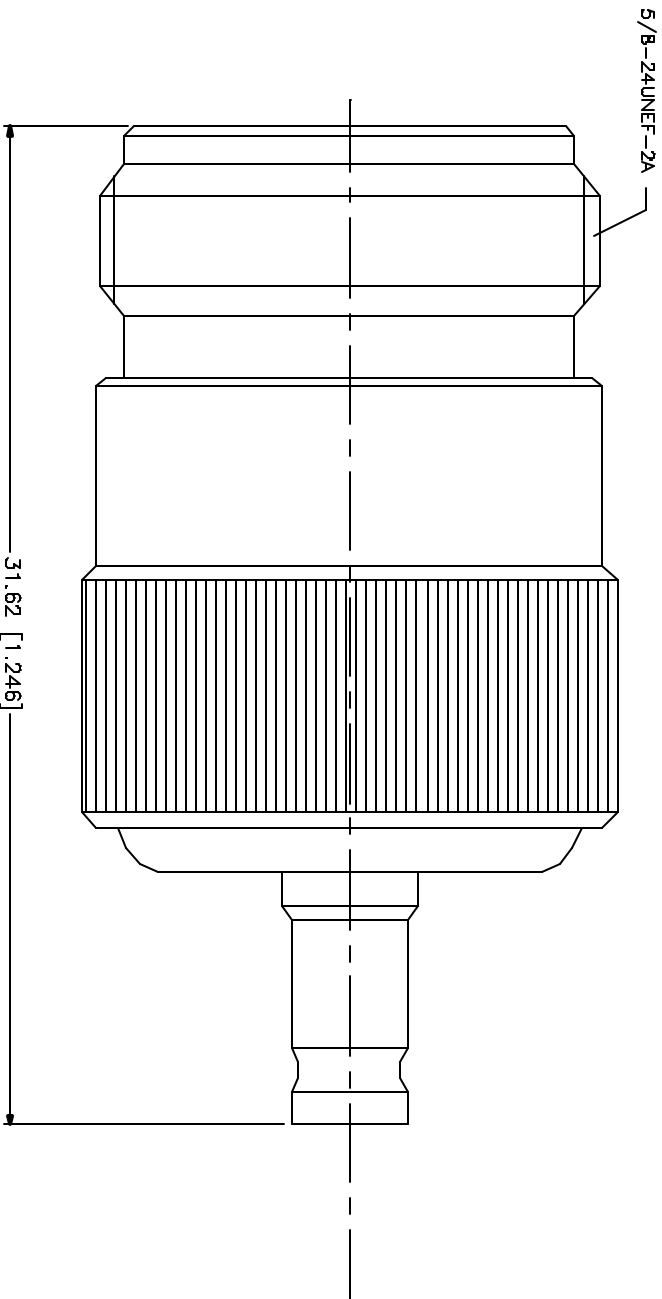


REV.	DATE	DESCRIPTION
NC	03/27/05	INITIAL RELEASE



NO.	DESCRIPTION	MATERIAL	FINISH	QTY	UNLESS OTHERWISE SPECIFIED DIMENSIONS ARE IN INCHES AND FOR DECIMALS ROUND UP.	APPROVALS	DATE	PART DESCRIPTION	DWG. NO.	REV.	SIZE	SCALE
8					UNLESS OTHERWISE SPECIFIED DIMENSIONS ARE IN INCHES AND FOR DECIMALS ROUND UP. TOLERANCES PER MILITARY STD UNLESS OTHERWISE SPECIFIED D15 - Bmin ± 0.20mm 8 - 30mm ± 0.40mm 3D - 120mm ± 0.50mm UNLESS OTHERWISE SPECIFIED DIMENSIONS FOR INCH ARE: .020 - .315 = ± 0.0007" .315 - 1.180 = ± 0.015" 1.180 - 4.724 = ± 0.020" DO NOT SCALE DRAWINGS							
7												
6												
5												
4												
3	CONTACT PIN	PHOS. BRONZE	GOLD	1								
2	INSULATOR	TEFLON	NATURAL	1								
1	BODY	BRASS	NICKEL	1								
	DESCRIPTION	MATERIAL	FINISH	QTY								
						APPROVALS DRAWN G.R.S. 03/27/05		Amphenol Connex PART DESCRIPTION N JACK TO 1.0/2.3 JACK ADAPTER PART NO. 242218	DWG. NO.	REV.	SIZE	SCALE
						CHECKED ISSUED SHEET 1 OF 1			242218.DWG	NC	A	NA
						PART NO. C:/242/242218.DWG						