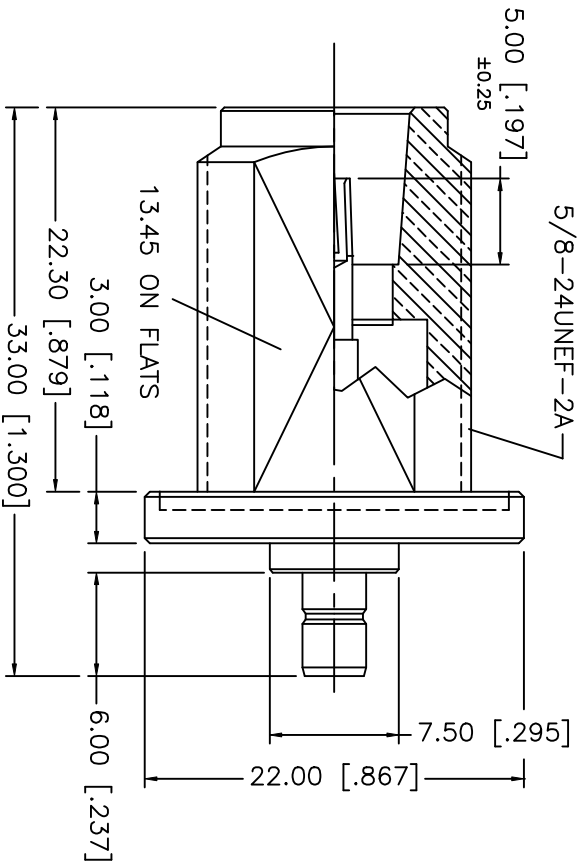
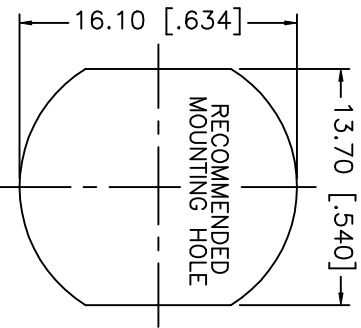
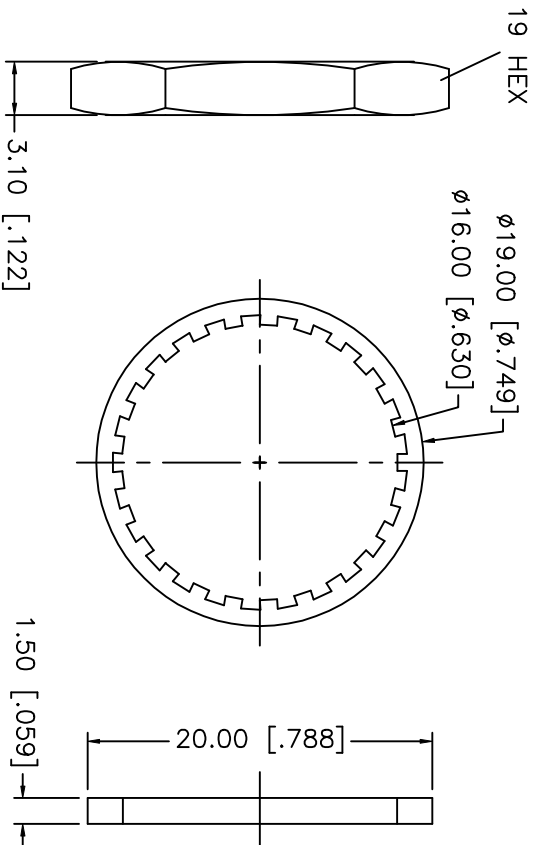


REV.	DATE	DESCRIPTION
NC	03/31/02	INITIAL RELEASE



NOTE:  
1. MAX. PANEL THICKNESS = 6.8mm

8	HEX NUT	BRASS	NICKEL	UNLESS OTHERWISE SPECIFIED DIMENSIONS ARE IN MILLIMETERS	
7	LOCK WASHER	BRASS	NICKEL	DIMENSIONS IN [ ] ARE IN INCHES FOR CUSTOMER REFERENCE ONLY	
6	GASKET	SILICONE	RED	UNLESS OTHERWISE SPECIFIED TOLERANCES FOR INCHES ARE: .XXX = ± 0.005" .XX = ± 0.010" .X = ± 0.020"	
5	BODY	BRASS	NICKEL	DO NOT SCALE DRAWING	
4	CONTACT PIN	BER. COPPER	GOLD	APPROVALS	
3	INSULATOR	TEFLON	NATURAL	DRAWN	G.R.S.
2	HOUSING	BRASS	NICKEL	CHECKED	
1	DESCRIPTION	MATERIAL	FINISH	ISSUED	
				DATE	03/31/02
<b>Amphenol - Connex</b> CONNECTOR CORPORATION					
TITLE					
N BULKHEAD JACK TO SMB JACK ADAPTOR					
SIZE	FSCM NO.	DWG. NO.	REV.		
A	99001	242183.DWG	NC		
SCALE	NA	PART NO.	242183	SHEET	1 OF 1