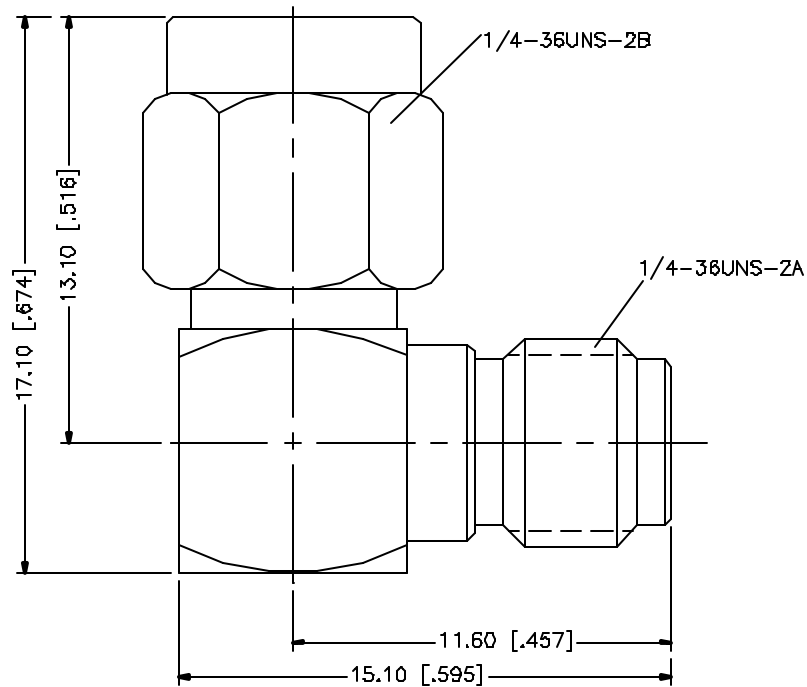


REV.	DATE	DESCRIPTION
NC	08/01/89	INITIAL RELEASE
A	05/01/04	UPDATE DRAWING FORMAT



				UNLESS OTHERWISE SPECIFIED DIMENSIONS ARE IN MILLIMETERS DIMENSIONS IN [] ARE IN INCHES AND FOR CUSTOMER REFERENCE ONLY.	APPROVALS	DATE	Amphenol Connex				
8				<p>UNLESS OTHERWISE SPECIFIED TOLERANCES FOR MILLIMETERS ARE: 0.5 - 8mm ± 0.20mm 8 - 30mm ± 0.40mm 30 - 120mm ± 0.50mm</p> <p>UNLESS OTHERWISE SPECIFIED TOLERANCES FOR INCHES ARE: .020 - .315 = ± 0.007" .315 - 1.180 = ± 0.015" 1.180 - 4.724 = ± 0.020"</p>	DRAWN	G.R.S.	05/01/04	PART DESCRIPTION SMA MALE TO FEMALE R/A ADAPTOR			
7					CHECKED						
6						ISSUED		PART NO. 132172			
5						SHEET	1 OF 1				
4	CONTACT PIN	BER COPPER	GOLD		1	CAD FILE C:/132/132172.DWG		DWG. NO.	132172.DWG	REV. A	SIZE A
3	CONTACT PIN	BRASS	GOLD	1	DESCRIPTION MATERIAL FINISH QTY DO NOT SCALE DRAWING						
2	INSULATOR	TEFLON	NATURAL	1							
1	HOUSING/BODY	BRASS	GOLD	1							