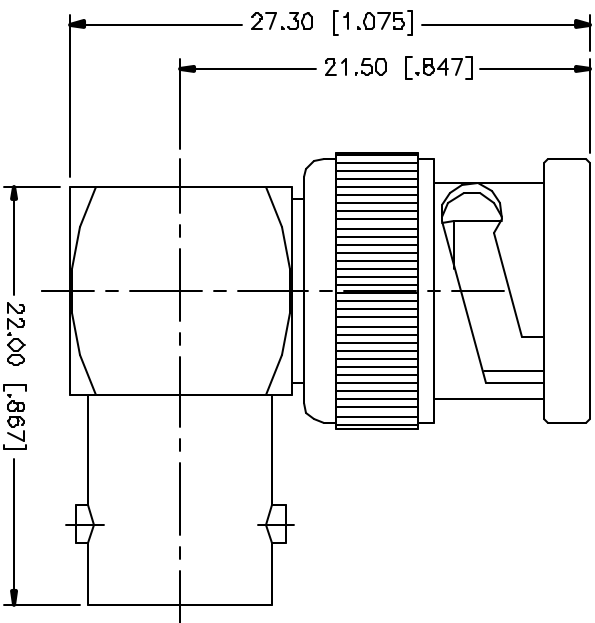


REV.	DATE	DESCRIPTION
NC	10/18/02	INITIAL RELEASE
A	05/01/04	UPDATE DRAWING FORMAT



REV.	DATE	DESCRIPTION
B		
7		
6		
5		
4		
3		
2		
1		

DESCRIPTION	MATERIAL	FINISH	QTY
CONTACT PIN	BRASS	GOLD	1
CONTACT PIN	PHOS. BRONZE	GOLD	1
INSULATOR	DELRIN	NATURAL	2
BODY	BRASS	NICKEL	1
DESCRIPTION	MATERIAL	FINISH	QTY

UNLESS OTHERWISE SPECIFIED DIMENSIONS ARE IN INCHES AND FOR DIMENSIONS BETWEEN DASHES, UNLESS OTHERWISE SPECIFIED, DIMENSIONS FOR MILLIMETER ARE: A - 30mm ± 0.40mm B - 30mm ± 0.40mm C - 120mm ± 0.50mm UNLESS OTHERWISE SPECIFIED TOLERANCES FOR ANGLES ARE: .020° - .315° = ± 0.007° .315° - 1.180° = ± 0.015° 1.180° - 4.724° = ± 0.020°	APPROVALS	DATE
DO NOT SCALE DRAWING	DRAWN G.R.S.	05/01/04
	CHECKED	
	ISSUED	
	SHEET 1 OF 1	
	PART DESCRIPTION BNC MALE TO FEMALE R/A ADAPTOR	
	PART NO. 112454	
	DWG. NO. 112454.DWG	REV. A
	SIZE A	SCALE NA

Amphenol Connex