

# ITX-a55E3

## AMD Fusion G-T56N/G-T40N Embedded Mini-ITX Motherboard



### Features

- **Ultra Low Profile (16.8mm Height)**
- Dual Gigabit Ethernet Ports
- Soldered Onboard PenMount Touch Controller
- Support Dual Independent Displays
- Additional PCIe x1 Slot for PCI Expansion (need riser card)
- Integrate SIM Socket to Support Mobile Telecommunication
- Highly Integrated Communication Interfaces
- **Wide Range DC Power Input 9 ~36V**
- **Extended Operating Temp.: -20 ~ 70°C**
- **UPS Function Support**

### System

<b>CPU</b>	Soldered onboard AMD Fusion G-T56N 1.65GHz or G-T40N 1.0GHz processor
<b>Memory</b>	Soldered onboard 2GB DDR3 SDRAM
<b>Chipset</b>	AMD FCH A55E
<b>BIOS</b>	AMI Flash BIOS
<b>Watchdog Timer</b>	1~255 levels reset

### I/O

<b>I/O Chip</b>	Fintek F81866D-I
<b>Serial Port</b>	4 x RS-232 ports 2 x RS-232/485 selectable ports w/ RS-485 auto-flow control
<b>USB Port</b>	8 x USB 2.0 ports
<b>KB/MS</b>	1 x 6-pin wafer connector for keyboard and mouse (PS/2 interface via Y-cable)
<b>Digital I/O</b>	8-bit programmable Digital Input/Output 1 x PCI slot 1 x PCIe x1 slot (Non-standard offset, used with riser card)
<b>Expansion Bus</b>	1 x Mini-card socket interconnected with SIM for WiFi or HSPA+ connectivity 1 x SIM card socket

<b>Storage</b>	2 x Serial ATA ports with 600MB/s HDD transfer rate 1 x mSATA socket (white Mini-card socket)
----------------	--------------------------------------------------------------------------------------------------

<b>Ethernet Chipset</b>	2 x Realtek RTL8111E PCIe GbE controllers
-------------------------	-------------------------------------------

<b>Audio Interface</b>	Realtek ALC662 HD Audio Codec, Mic-in/Line-in/Line-out (Line-out w/ 1 x 3.5mm phone jack on rear I/O)
------------------------	-------------------------------------------------------------------------------------------------------

### Display

<b>Graphics Chipset</b>	Integrated AMD Radeon™ HD6320 w/ G-T56N or HD6250 w/ G-T40N
<b>Graphics Interface</b>	1 x DVI-I connector (default) or selectable Analog RGB, DVI-I connector supports either Analog RGB or DVI, resolution up to 2048 x 1536 for Analog RGB and 1920 x 1200 for TMDS Support Dual Channels 24-bit LVDS, resolution up to 1920 x 1080

### Touch Screen Interface

<b>Mode</b>	PenMount C8051F321, supporting 5-wire Resistive Touch, USB interface
-------------	----------------------------------------------------------------------

### Mechanical & Environmental

**Power Requirement** Wide range DC power input 9~36V

**Power Consumption** 2.34A@+12V with G-T56N (Typical)

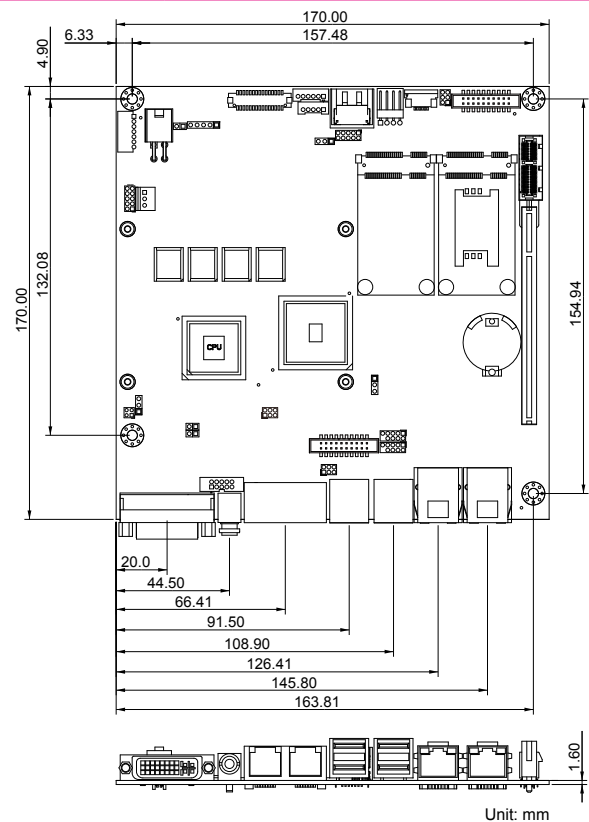
1.43A@+12V with G-T40N (Typical)

**Operating Temp.** -20~70°C (-4~ 158°F)

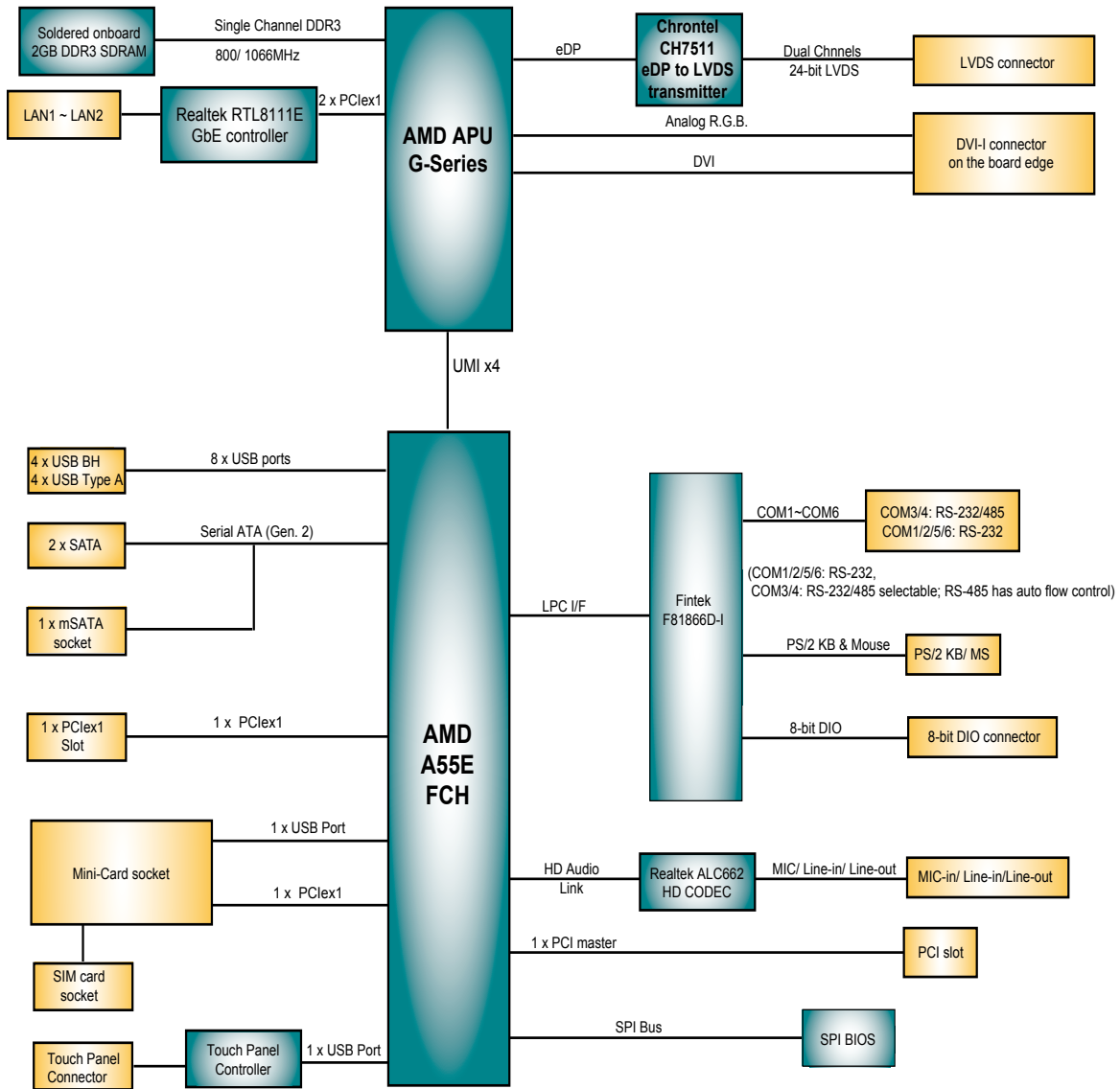
**Operating Humidity** 10 ~ 95% @ 70°C (non-condensing)

**Dimensions (L x W)** 170 x 170 mm (6.7" x 6.7")

### Dimensions



# Block Diagram



## Ordering Information

**ITX-a55E3-T56N** AMD G-T56N Embedded Mini-ITX motherboard

**ITX-a55E3-T40N** AMD G-T40N Embedded Mini-ITX motherboard

## Optional Accessories

**SCDB-5190** PCIe x1 Riser Card

### Cable kit

- 2 x USB cables
- 2 x Two ports COM cables
- 2 x COM port RJ-45 cables
- 1 x KB & MS cable
- 1 x audio cable
- 1 x SATA Power cable
- 2 x SATA cables

**CBK-11-55E3-00**