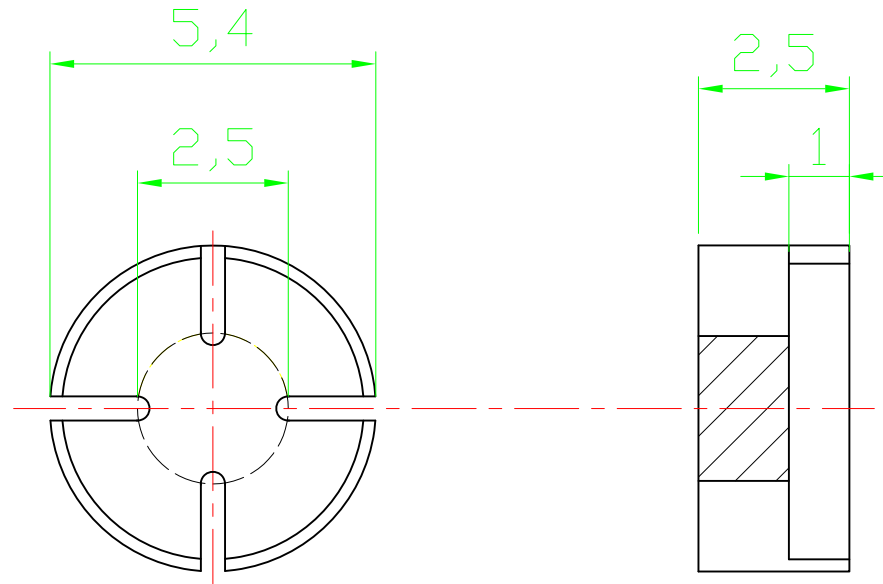



RoHS compliant



G	Scale	1:1					Date	Name	Customer-No.	
	TOLERANCE					Drawn	20.08.2009	Dean	ASSMANN WSW-No. V4548	
	X.	±X				Approved	10.03.2010	Andy		
	X.X	±X								
H	X.XX	±X							Drawing-No.	
	DIM	TOL	②	Modify drawing layout	10.03.2010	Alex			ASS 0923 HS	rev02
	X.°	±X°	①	Drawn	20.08.2009	Dean			Replace	Sheet
	X.X°	±X°								
	Angle	TOL	Id.	Modification	Date	Name				