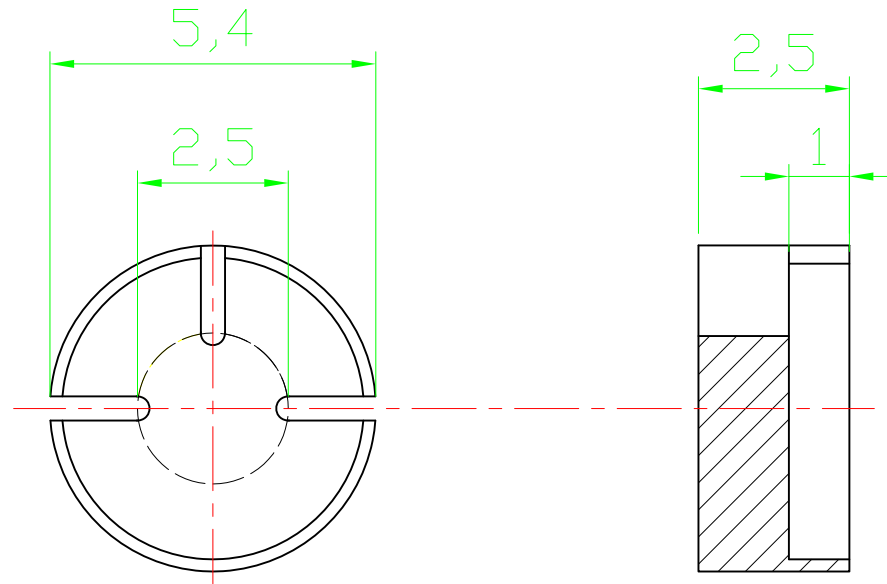


RoHS compliant



G	Scale	1:1				Date	Name	Customer-No.	
	TOLERANCE					Drawn	20.08.2009	Dean	
H	X.	±X				Approved	10.03.2010	Andy	ASSMANN WSW-No.
	X.X	±X							V4538R
	X.XX	±X							Drawing-No.
H	DIM	TOL	②	Modify drawing layout	10.03.2010	Alex		ASS 0921 HS	rev02
	X.°	±X°	①	Drawn	20.08.2009	Dean		Replace	Sheet
	X.X°	±X°							
	Angle	TOL	Id.	Modification	Date	Name			