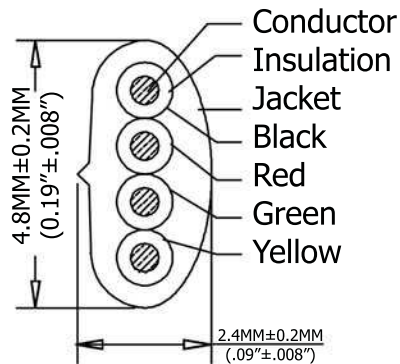


Extended length is with 500g of force

**Materials:**

- Plug Housing: Polycarbonate, clear
- Plug Terminal: 0.36"[.014MM] Thick Phosphor Bronze
- Connector: 50µ" of Selective Gold Contact Plating
  - Area, Gold flash over the remainder
  - Over 2.54µm[.000100] thick nickel underplate
- Conductor(X4C): 26AWG (0.12X12) Bare Copper
- Insulation(X4C): PP6331 ID 0.95-1.0
- Jacket: PVC NOUL 80P
- Package: Individual PE Bag



SEC:A-A

**TERMINATION:**

| P1 | P2 | COLOR  |
|----|----|--------|
| 1  | 1  | BLACK  |
| 2  | 2  | RED    |
| 3  | 3  | GREEN  |
| 4  | 4  | YELLOW |

| Extended Length ("L2")    | Typical Retracted Length ("L1") |
|---------------------------|---------------------------------|
| 60.0 Inches - 69.0 Inches | 13.0 Inches                     |
| 1,524.0MM-1,752.6MM       | 330.2MM                         |



ITEM NO

**AT-C-26-4/4/S-5/R-R**

TITLE NON-UL 26AWG (0.16/7)\*4C, O.D.: 2.4\*4.8MM

Reverse Plug, 50µ" of contact plating, SILVER

**ASSMANN**  
Electronics, Inc.

1840 W. Drake Drive, Suite 101 - Tempe, AZ 85283

Toll Free: 1-877-277-6266 Email: info@usa-assmann.com

THIS DRAWING IS UNPUBLISHED

© Copyright 2009 by Assmann Electronic Components  
All International Rights Reserved