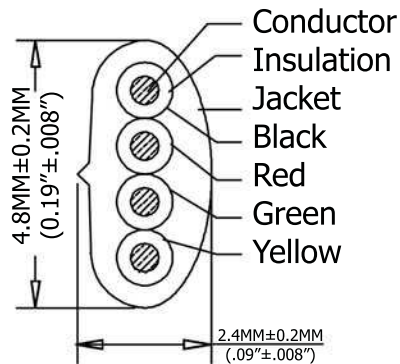


Extended length is with 500g of force

Materials:

- Plug Housing: Polycarbonate, clear
- Plug Terminal: 0.36" [.014MM] Thick Phosphor Bronze
- Connector: 50µ" of Selective Gold Contact Plating
 - Area, Gold flash over the remainder
 - Over 2.54µm [.000100] thick nickel underplate
- Conductor(X4C): 26AWG (0.12X12) Bare Copper
- Insulation(X4C): PP6331 ID 0.95-1.0
- Jacket: PVC NOUL 80P
- Package: Individual PE Bag



SEC:A-A

TERMINATION:

P1	P2	COLOR
1	1	BLACK
2	2	RED
3	3	GREEN
4	4	YELLOW

Extended Length ("L2")	Typical Retracted Length ("L1")
168.0 Inches - 193.2 Inches	33.5 Inches
4,267.2MM-4,907.28MM	850.9MM



ITEM NO

AT-C-26-4/4/B-14/R-R

TITLE NON-UL 26AWG (0.16/7)*4C, O.D.: 2.4*4.8MM

Reverse Plug, 50µ" of contact plating, BLACK

ASSMANN
Electronics, Inc.

1840 W. Drake Drive, Suite 101 - Tempe, AZ 85283

Toll Free: 1-877-277-6266 Email: info@usa-assmann.com

THIS DRAWING IS UNPUBLISHED

© Copyright 2009 by Assmann Electronic Components
All International Rights Reserved