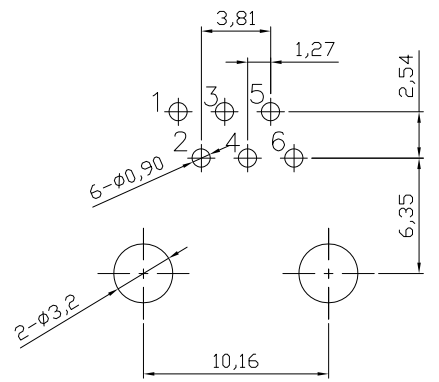


Section A-A

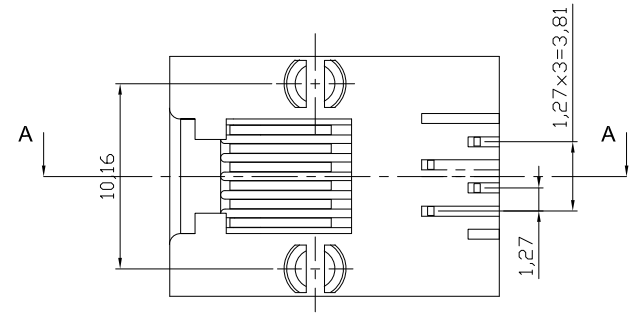
- NOTES:**
- Mechanical:**
- Housing material : Glass Filled Polyester UL94V-0 , Color: Black
  - Contact material: Phosphor Bronze t=0.35mm
  - Contact plating: Contact area---Selective gold plating  
Tails---Tin plated all over 50u" Nickel
  - Operating Life: 750 Cycles min.
  - PCB Retention Pre-solder: 1 LB min.
  - PCB Retention Post-solder: 10 LBS min.
- Electrical:**
- Voltage Rating: 125VAC.
  - Current Rating: 1.5AMP.
  - Contact Resistance: 35mΩ max.
  - Insulation Resistance: 1000MΩ min. @ 500 VDC
  - Dielectric Strength: 1000 VAC 60Hz, 1 min.
- Environmental:**
- Storage: -40°C To +85°C
  - Operation: -40°C~+85°C
  - Wave Soldering Temp: 200~220°C(5~10S)
- Packing: 120pcsTray, 3360pcs/Carton

Order code: A-2004-0-X-LP-N

- Contact plating:
- selective 15u" gold
  - selective 30u" gold
  - selective 50u" gold
  - selective 6u" gold



PC Board Layout Component Side Shown(6P4C)



**RoHS compliant**  
Unit:mm

Scale	Free						Date	Name	Customer-No.
TOLERANCE						Drawn	27.05.2013	Amy	
X.X	±0.20					Approved	27.05.2013	Amy	ASSMANN WSW-No.
X.XX	±0.15								A-2004-0-X-LP-N
X.XXX	±0.10								Drawing-No.
DIM	TOL								ASS 5683 CO
		①	Drawn	27.05.2013	Amy				rev00
Angle	±5°	Id.	Modification	Date	Name			Replace	SHEET