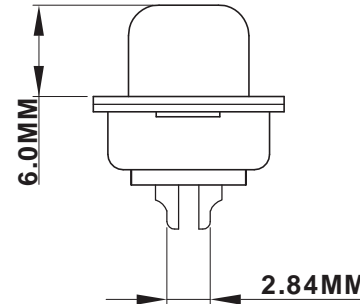
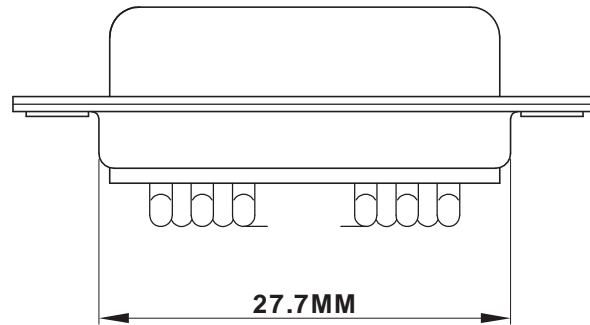


Material:

- Insulator: PBT, rated UL94V-0
- Contacts: Brass
- Shell: Steel
- Contact plating: Gold Flash/Nickel

Electrical:

- Operating voltage: 250V AC max.
- Current rating: 3.0A max.
- Contact resistance: 15mΩ max.
- Insulation resistance: 3,000MΩ min. @500V DC
- Dielectric withstanding voltage: 1,000V AC/minute
- Operating temperature: -55°C ~ +105°C



Unit: mm



Scale	Free						Date	Name
TOLERANCE						Drawn	16.11.11	Chappell
X.	±0.5					Approved		
X.X	±0.3							
X.XX	±0.2							
DIM	TOL							
X.°	±5°							
X.X°	±X°							
Angle	TOL	Id.	Modification	Date	Name	1840 W. Drake Drive, Suite 101 • Tempe, AZ 85283 Toll Free: 1-877-277-6266 • Email: info@assmann.us		

Title	
DSub Stamped connector	
15 pin Female, Solder Cup w/o threaded inserts	
ASSMANN WSW-No.	
A-DF15LL-TL-B-R	
Drawing-No.	rev00
Replace	Sheet 1/1