

MOX-SPI-0703



MoxiE[®]
INDUCTOR CORPORATION

Surface Mount Shielded Power Inductors

MoxiE's SPI-0703 series of surface mount shielded power inductors are widely used in PDA's, notebooks, LCD televisions and digital cameras. MoxiE offers a ultra low profile magnetically shielded package that offer high inductance & high power.

Features:

- Low cost.
- Operating temperature: -40°C to +130°C.
- Current rating up to 14.4 Amps.
- RoHS compliant.
- Magnetically shielded applications.

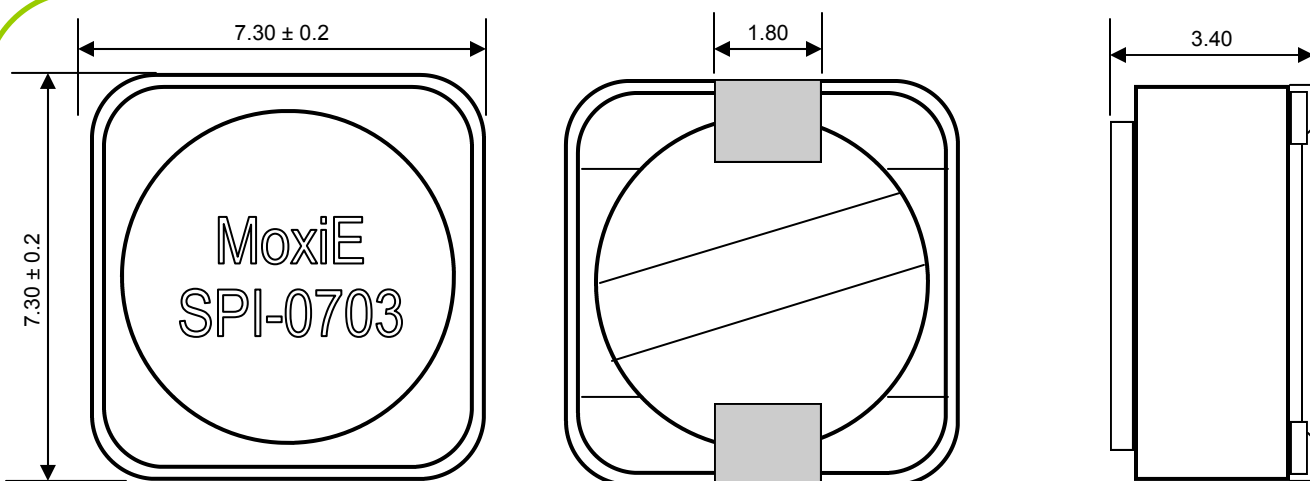


NOTES

- Measuring Frequency (L) 1 kHz/1V.
- Available Tolerances: M= ±20%.
- Storage temperature range: -40°C to +125°C.
- Operating ambient temperature range: -40°C to +130°C .
- DC current at which the inductance drops 35% (typical) from its value without current.
- Solder reflow temperature: +260°C max. for 10 seconds max.
- Open circuit inductance test parameters: 100KHz, 0.25Vrms, 0.0Adc.
- RMS current for an approximate AT of 40°C without core loss. It is recommended that the temperature of the part not exceed 130°C.
- Peak current for approximate 30% roll off at 20°C.
- Temperature rise of 40°C maximum.
- DCR limits @ 20°C.
- MoxiE Inductor Corporation specifications are subject to change without notice.

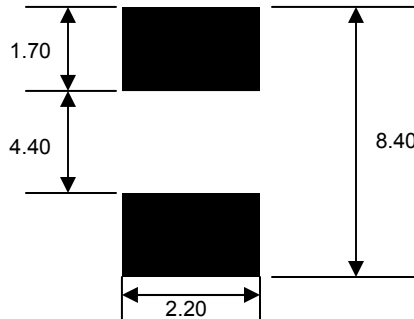
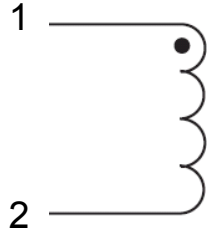


MECHANICAL DIMENSIONS





LANDING PATTERN & SCHEMATIC



MOX-SPI-0703 CONSTRUCTION



ELECTRICAL SPECIFICATIONS

MoxiE Part Number	Rated Inductance (μH)	OCL +/-20% (μH)	I _{rms} Amps	I _{sat} Amperes Peak	DCR (Ω) Typical	Volt-μSec Typ.
MOX-SPI-0703-R33M	0.33	0.306	6.27	14.4	0.0071	1.98
MOX-SPI-0703-1R0M	1.00	0.992	5.35	7.97	0.0100	3.56
MOX-SPI-0703-1R5M	1.50	1.482	4.70	6.52	0.0130	4.36
MOX-SPI-0703-2R2M	2.20	2.070	4.18	5.52	0.0163	5.15
MOX-SPI-0703-3R3M	3.30	3.540	3.34	4.22	0.0259	6.73
MOX-SPI-0703-4R7M	4.70	4.422	3.10	3.78	0.0294	7.52
MOX-SPI-0703-6R8M	6.80	6.480	2.57	3.12	0.0435	9.11
MOX-SPI-0703-8R2M	8.20	8.930	2.23	2.66	0.0592	10.7
MOX-SPI-0703-100M	10.0	10.30	2.10	2.47	0.0656	11.5
MOX-SPI-0703-150M	15.0	15.01	1.85	2.05	0.0842	13.9
MOX-SPI-0703-220M	22.0	22.65	1.67	1.67	0.107	17.0
MOX-SPI-0703-330M	33.0	34.41	1.35	1.35	0.165	21.0
MOX-SPI-0703-470M	47.0	48.62	1.09	1.14	0.241	24.9
MOX-SPI-0703-680M	68.0	68.91	0.92	0.96	0.352	29.7
MOX-SPI-0703-820M	82.0	80.37	0.88	0.89	0.384	32.1
MOX-SPI-0703-101M	100	101.4	0.75	0.79	0.527	36.0
MOX-SPI-0703-151M	150	150.9	0.58	0.65	0.851	44.0
MOX-SPI-0703-221M	220	223.3	0.55	0.53	1.05	53.5
MOX-SPI-0703-331M	330	325.5	0.46	0.44	1.59	64.5
MOX-SPI-0703-471M	470	465.8	0.37	0.37	2.36	77.2
MOX-SPI-0703-681M	680	676.5	0.30	0.31	3.47	93.1
MOX-SPI-0703-821M	820	821.7	0.29	0.28	3.93	103
MOX-SPI-0703-102M	1000	995.0	0.28	0.25	4.32	113