

MOX-MXCN SERIES

RF Surface Mount Wire Wound Ceramic Chip Inductors

MoxiE's MOX-MXCN series of surface mount wire wound chip inductors are designed with a ceramic body and wire wound construction to provide the highest possible SRFs as well as industry leading Q values.

Features:

- Engineered for RF signal applications.
- Non-magnetic coil form also assures high thermal stability.
- Excellent Q factor even at high frequencies.
- MoxiE Inductor Corporation custom designs available.
- Packaging: **0402** (2000/Reel) **0603** (4000/Reel) **0805** (2500/Reel) **1008 & 1210** (2000/Reel)

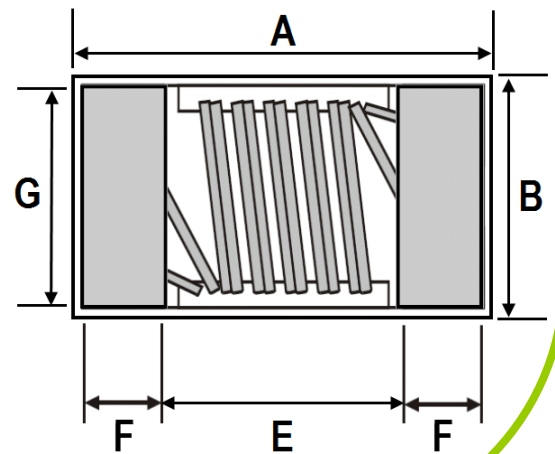
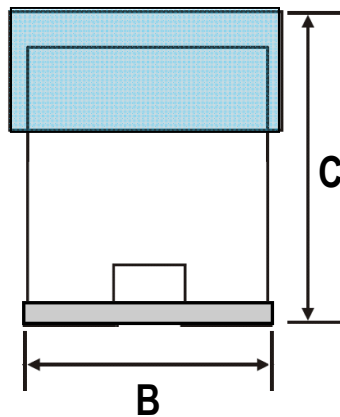
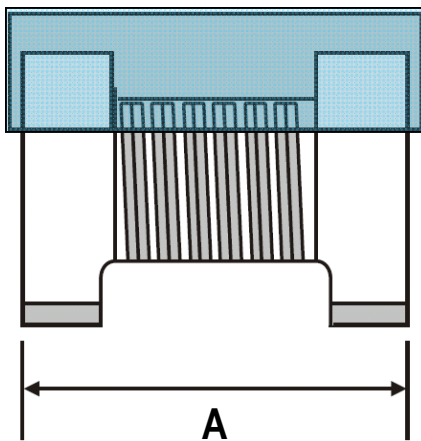


PART NUMBERS

MOXIE PART NUMBER	A (MAX.)	B (MAX.)	C (MAX.)	D (REF)	E	F	G (TERMINAL)	H	I	J
MOX-MXCN-0402	1.19	0.64	0.66	0.25	0.56	0.23	0.51	0.66	0.36	0.46
MOX-MXCN-0603	1.80	1.12	1.02	0.38	0.86	0.33	0.76	1.02	0.64	0.64
MOX-MXCN-0805	2.29	1.73	1.52	0.50	1.02	0.51	1.27	1.78	1.02	0.76
MOX-MXCN-1008	2.92	2.79	2.10	0.51	1.52	0.51	2.03	2.54	1.02	1.27
MOX-MXCN-1206	3.70	2.80	2.20	0.90	2.18	0.51	2.30	2.70	1.00	2.00



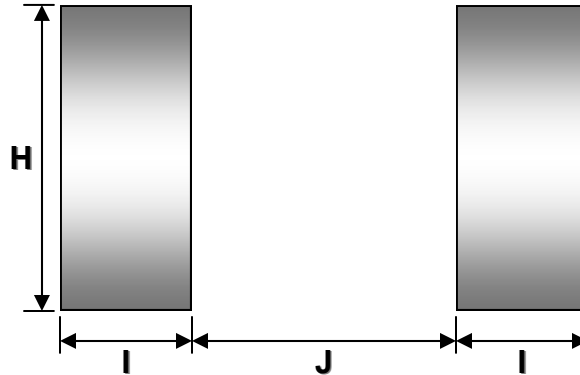
MECHANICAL DIMENSIONS



MOX-MXCN SERIES



LANDING PATTERNS



MOX-MXCN-0402 SPECIFICATIONS

MoxiE Part Number	Inductance (nH)	Test Frequency (MHz)	Tolerance (±%)	Q Min	SRF (MHz) Min.	Rdc (Ω) Max	Irms (mA) Max
MOX-MXCN-0402-1R5□	1.5	250	10 / 5	15	11300	0.050	1040
MOX-MXCN-0402-2R0□	2.0	250	10 / 5	16	11100	0.070	1040
MOX-MXCN-0402-2R2□	2.2	250	10 / 5	19	10800	0.070	960
MOX-MXCN-0402-3R3□	3.3	250	10 / 5 / 3 / 2	19	7000	0.100	840
MOX-MXCN-0402-3R6□	3.6	250	10 / 5 / 3 / 2	19	6800	0.100	840
MOX-MXCN-0402-3R9□	3.9	250	10 / 5 / 3 / 2	19	6000	0.100	840
MOX-MXCN-0402-5R1□	5.1	250	10 / 5 / 3 / 2	20	4800	0.130	800
MOX-MXCN-0402-5R6□	5.6	250	10 / 5 / 3 / 2	20	4800	0.130	760
MOX-MXCN-0402-6R2□	6.2	250	10 / 5 / 3 / 2	20	4800	0.150	760
MOX-MXCN-0402-7R5□	7.5	250	10 / 5 / 3 / 2	22	4800	0.150	680
MOX-MXCN-0402-8R2□	8.2	250	10 / 5 / 3 / 2	22	4400	0.150	680
MOX-MXCN-0402-9R0□	9.0	250	10 / 5 / 3 / 2	22	4160	0.200	680
MOX-MXCN-0402-100□	10	250	10 / 5 / 3 / 2	21	3900	0.200	480
MOX-MXCN-0402-110□	11	250	10 / 5 / 3 / 2	24	3680	0.230	640
MOX-MXCN-0402-120□	12	250	10 / 5 / 3 / 2	24	3600	0.230	640
MOX-MXCN-0402-150□	15	250	10 / 5 / 3 / 2	24	3280	0.230	560
MOX-MXCN-0402-190□	19	250	10 / 5 / 3 / 2	24	3040	0.270	480
MOX-MXCN-0402-230□	23	250	10 / 5 / 3 / 2	22	2720	0.300	400
MOX-MXCN-0402-270□	27	250	10 / 5 / 3 / 2	24	2480	0.350	400
MOX-MXCN-0402-330□	33	250	10 / 5 / 3 / 2	24	2350	0.440	320
MOX-MXCN-0402-360□	36	250	10 / 5 / 3 / 2	24	2320	0.440	320
MOX-MXCN-0402-400□	40	250	10 / 5 / 3 / 2	24	2240	0.540	320
MOX-MXCN-0402-470□	47	250	10 / 5 / 3 / 2	20	2100	0.830	150

- When ordering, please specify tolerance & packaging codes.
- □ Tolerance: G = ±2%, H = ±3%, J = ±5%, K = ±10%
- MoxiE packaging : Clear tape and reel is standard.
- L , Q : Agilent/HP4291A+Agilent/HP16197A
- SRF : Agilent/HP8753D / Agilent/HP4291A

MOX-MXCN SERIES



MOX-MXCN-0603 SPECIFICATIONS

MoxiE Part Number	Inductance (nH)	Test Frequency (MHz)	Tolerance (±%)	Q Min	SRF (MHz) Min	Rdc (Ω) Max	Irms (mA) Max	900 MHz		1.7 GHz		Color
								L Typ	Q Typ	L Typ	Q Typ	
MOX-MXCN-0603-1R6□	1.6	250	10 / 5	24	12500	0.030	700	1.60	49	1.58	63	Red
MOX-MXCN-0603-1R8□	1.8	250	10 / 5	16	12500	0.045	700	1.60	35	1.66	50	Black
MOX-MXCN-0603-3R6□	3.6	250	10 / 5	22	5900	0.063	700	3.70	53	3.71	65	Red
MOX-MXCN-0603-3R9□	3.9	250	10 / 5	22	6900	0.080	700	3.95	49	3.96	67	Brown
MOX-MXCN-0603-4R3□	4.3	250	10 / 5	22	5900	0.063	700	4.32	50	4.33	70	Orange
MOX-MXCN-0603-4R7□	4.7	250	10 / 5	20	5800	0.116	700	4.72	47	4.75	57	Violet
MOX-MXCN-0603-5R1□	5.1	250	10 / 5	20	5700	0.140	700	4.93	47	4.95	56	Green
MOX-MXCN-0603-6R3□	6.3	250	10 / 5	20	5700	0.140	700	5.50	47	6.1	60	White
MOX-MXCN-0603-6R8□	6.8	250	10 / 5	27	5800	0.110	700	6.75	60	7.1	81	Red
MOX-MXCN-0603-7R5□	7.5	250	10 / 5	28	4800	0.106	700	7.70	60	7.82	65	Brown
MOX-MXCN-0603-8R2□	8.2	250	10 / 5	28	4700	0.109	700	8.30	60	8.50	60	White
MOX-MXCN-0603-8R7□	8.7	250	10 / 5	28	4600	0.109	700	8.86	62	9.32	58	Yellow
MOX-MXCN-0603-9R5□	9.5	250	10 / 5	28	5400	0.135	700	9.70	59	9.92	61	Blue
MOX-MXCN-0603-100□	10	250	10 / 5 / 2	31	4800	0.130	700	10.0	66	10.6	83	Orange
MOX-MXCN-0603-110□	11	250	10 / 5 / 2	33	4000	0.086	700	11.0	53	11.5	56	Gray
MOX-MXCN-0603-120□	12	250	10 / 5 / 2	35	4000	0.130	700	12.3	72	13.5	83	Yellow
MOX-MXCN-0603-150□	15	250	10 / 5 / 2	35	4000	0.170	700	15.4	64	16.8	89	Green
MOX-MXCN-0603-160□	16	250	10 / 5 / 2	34	3300	0.104	700	16.2	55	17.3	52	White
MOX-MXCN-0603-180□	18	250	10 / 5 / 2	35	3100	0.170	700	18.7	70	21.4	69	Blue
MOX-MXCN-0603-220□	22	250	10 / 5 / 2	38	3000	0.190	700	22.8	73	26.1	71	Violet
MOX-MXCN-0603-240□	24	250	10 / 5 / 2	37	2650	0.135	700	24.5	45	28.7	39	Black
MOX-MXCN-0603-270□	27	250	10 / 5 / 2	40	2800	0.220	600	29.2	74	34.6	65	Gray
MOX-MXCN-0603-300□	30	250	10 / 5 / 2	37	2250	0.144	600	31.4	47	39.9	28	Brown
MOX-MXCN-0603-330□	33	250	10 / 5 / 2	40	2300	0.220	600	36.0	67	49.5	42	White
MOX-MXCN-0603-360□	36	250	10 / 5 / 2	38	2080	0.250	600	39.4	47	52.7	24	Red
MOX-MXCN-0603-390□	39	250	10 / 5 / 2	40	2200	0.250	600	42.7	60	60.2	40	Black
MOX-MXCN-0603-430□	43	250	10 / 5 / 2	39	2000	0.280	600	47.0	44	64.9	21	Orange
MOX-MXCN-0603-470□	47	200	10 / 5 / 2	38	2000	0.280	600	52.2	62	77.2	35	Brown
MOX-MXCN-0603-560□	56	200	10 / 5 / 2	38	1900	0.310	600	62.5	56	97	26	Red
MOX-MXCN-0603-680□	68	200	10 / 5 / 2	37	1700	0.340	600	80.5	54	168	21	Orange
MOX-MXCN-0603-720□	72	150	10 / 5 / 2	34	1700	0.490	400	82.0	53	135	20	Yellow
MOX-MXCN-0603-820□	82	150	10 / 5 / 2	34	1700	0.540	400	96.2	54	177	21	Green
MOX-MXCN-0603-101□	100	150	10 / 5 / 2	34	1400	0.580	400	124	49			Blue
MOX-MXCN-0603-111□	110	150	10 / 5 / 2	32	1350	0.610	300	138	43			Violet
MOX-MXCN-0603-121□	120	150	10 / 5 / 2	32	1300	0.750	300	166	39			Gray
MOX-MXCN-0603-151□	150	150	10 / 5 / 2	28	990	0.920	280	250	25			White
MOX-MXCN-0603-181□	180	100	10 / 5 / 2	25	990	1.250	240	305	22			Black
MOX-MXCN-0603-221□	220	100	10 / 5 / 2	25	900	2.100	200	480	8			Brown
MOX-MXCN-0603-271□	270	100	10 / 5 / 2	24	900	2.300	170	980	4			Red

- When ordering, please specify tolerance & packaging codes.
- □Tolerance: G = ±2%, H = ±3%, J = ±5% , K = ±10%
- MoxiE packaging : Clear tape and reel is standard.
- L , Q : Agilent/HP4291A+Agilent/HP16197A
- SRF : Agilent/HP8753D / Agilent/HP4291A

MOX-MXCN SERIES



MOX-MXCN-0805 SPECIFICATIONS

MoxiE Part Number	Inductance (nH)	Test Frequency (MHz)	Tolerance (±%)	Q Min	Test Frequency (MHz)	SRF (MHz) Min	Rdc (Ω) Max	Irms (mA) Max	Color
MOX-MXCN-0805-2R8□	2.8	250	10 / 5	70	1500	7900	0.06	800	Gray
MOX-MXCN-0805-3R0□	3.0	250	10/ 5	65	1500	7900	0.06	800	White
MOX-MXCN-0805-3R3□	3.3	250	10 / 5	50	1500	7900	0.08	600	Black
MOX-MXCN-0805-5R6□	5.6	250	10 / 5	65	1000	5500	0.08	600	Orange
MOX-MXCN-0805-6R8□	6.8	250	10 / 5	50	1000	5500	0.11	600	Brown
MOX-MXCN-0805-7R5□	7.5	250	10 / 5	50	1000	4500	0.14	600	Green
MOX-MXCN-0805-8R2□	8.2	250	10 / 5	50	1000	4700	0.12	600	Red
MOX-MXCN-0805-100□	10	250	10/5/2	60	500	4200	0.10	600	Blue
MOX-MXCN-0805-160□	12	250	10/5/2	50	500	4000	0.15	600	Orange
MOX-MXCN-0805-150□	15	250	10/5/2	50	500	3400	0.17	600	Yellow
MOX-MXCN-0805-180□	18	250	10/5/2	50	500	3300	0.20	600	Green
MOX-MXCN-0805-220□	22	250	10/5/2	55	500	2600	0.22	500	Blue
MOX-MXCN-0805-240□	24	250	10/5/2	50	500	2000	0.22	500	Gray
MOX-MXCN-0805-270□	27	250	10/5/2	55	500	2500	0.25	500	Violet
MOX-MXCN-0805-330□	33	250	10/5/2	60	500	2050	0.27	500	Gray
MOX-MXCN-0805-360□	36	250	10/5/2	55	500	1700	0.27	500	Orange
MOX-MXCN-0805-390□	39	250	10/5/2	60	500	2000	0.29	500	White
MOX-MXCN-0805-430□	43	200	10/5/2	60	500	1650	0.34	500	Yellow
MOX-MXCN-0805-470□	47	200	10/5/2	60	500	1650	0.31	500	Black
MOX-MXCN-0805-560□	56	200	10/5/2	60	500	1550	0.34	500	Brown
MOX-MXCN-0805-680□	68	200	10/5/2	60	500	1450	0.38	500	Red
MOX-MXCN-0805-820□	82	150	10/5/2	65	500	1300	0.42	400	Orange
MOX-MXCN-0805-910□	91	150	10/5/2	65	500	1200	0.48	400	Black
MOX-MXCN-0805-101□	100	150	10/5/2	65	500	1200	0.46	400	Yellow
MOX-MXCN-0805-111□	110	150	10/5/2	50	250	1000	0.48	400	Brown
MOX-MXCN-0805-121□	120	150	10/5/2	50	250	1100	0.51	400	Green
MOX-MXCN-0805-151□	150	100	10/5/2	50	250	920	0.56	400	Blue
MOX-MXCN-0805-181□	180	100	10/5/2	50	250	870	0.64	400	Violet
MOX-MXCN-0805-201□	200	100	10/5/2	50	250	860	0.70	400	Red
MOX-MXCN-0805-221□	220	100	10/5/2	50	250	850	0.70	400	Gray
MOX-MXCN-0805-241□	240	100	10/5/2	44	250	690	1.00	350	Red
MOX-MXCN-0805-251□	250	100	10/5/2	45	250	660	1.00	350	Yellow
MOX-MXCN-0805-271□	270	100	10/5/2	48	250	650	1.00	350	White
MOX-MXCN-0805-331□	330	100	10/5/2	48	250	600	1.40	310	Black
MOX-MXCN-0805-391□	390	100	10/5/2	25	250	400	1.50	290	Brown
MOX-MXCN-0805-471□	470	50	10/5/2	33	100	400	1.76	250	Violet
MOX-MXCN-0805-561□	560	25	10/5/2	20	50	200	1.90	230	Orange
MOX-MXCN-0805-681□	680	25	10/5/2	18	50	130	2.20	190	Green
MOX-MXCN-0805-821□	820	25	10/5/2	15	50	100	2.35	180	Blue

- When ordering, please specify tolerance & packaging codes.
- □Tolerance: G = ±2%, H = ±3%, J = ±5% , K = ±10%
- MoxiE packaging : Clear tape and reel is standard.
- L , Q : Agilent/HP4291A+Agilent/HP16197A
- SRF : Agilent/HP8753D / Agilent/HP4291A

MOX-MXCN SERIES



MOX-MXCN-1008 SPECIFICATIONS

MoxiE Part Number	Inductance (nH)	Test Frequency (MHz)	Tolerance (±%)	Q Min	Test Frequency (MHz)	SRF (MHz) Min	Rdc (Ω) Max	Irms (mA) Max
MOX-MXCN-1008-100□	10	50	10 / 5 / 2	50	500	4100	0.08	1000
MOX-MXCN-1008-120□	12	50	10 / 5 / 2	50	500	3300	0.09	1000
MOX-MXCN-1008-150□	15	50	10 / 5 / 2	50	500	2500	0.10	1000
MOX-MXCN-1008-180□	18	50	10 / 5 / 2	50	350	2500	0.11	1000
MOX-MXCN-1008-220□	22	50	10 / 5 / 2	55	350	2400	0.12	1000
MOX-MXCN-1008-270□	27	50	10 / 5 / 2	55	350	1600	0.13	1000
MOX-MXCN-1008-330□	33	50	10 / 5 / 2	60	350	1600	0.14	1000
MOX-MXCN-1008-390□	39	50	10 / 5 / 2	60	350	1500	0.15	1000
MOX-MXCN-1008-470□	47	50	10 / 5 / 2	65	350	1500	0.16	1000
MOX-MXCN-1008-560□	56	50	10 / 5 / 2	65	350	1300	0.18	1000
MOX-MXCS-1008-680□	68	50	10 / 5 / 2	65	350	1300	0.20	1000
MOX-MXCS-1008-820□	82	50	10 / 5 / 2	60	350	1000	0.22	1000
MOX-MXCS-1008-101□	100	25	10 / 5 / 2	60	350	1000	0.56	650
MOX-MXCS-1008-121□	120	25	10 / 5 / 2	60	350	950	0.63	650
MOX-MXCS-1008-151□	150	25	10 / 5 / 2	45	100	850	0.70	580
MOX-MXCS-1008-181□	180	25	10 / 5 / 2	45	100	750	0.77	620
MOX-MXCS-1008-221□	220	25	10 / 5 / 2	45	100	700	0.84	500
MOX-MXCS-1008-271□	270	25	10 / 5 / 2	45	100	600	0.91	500
MOX-MXCN-1008-331□	330	25	10 / 5 / 2	45	100	570	1.05	450
MOX-MXCN-1008-391□	390	25	10 / 5 / 2	45	100	500	1.12	470
MOX-MXCN-1008-471□	470	25	10 / 5 / 2	45	100	450	1.19	470
MOX-MXCN-1008-561□	560	25	10 / 5 / 2	45	100	415	1.33	400
MOX-MXCN-1008-621□	620	25	10 / 5 / 2	45	100	375	1.40	300
MOX-MXCN-1008-681□	680	25	10 / 5 / 2	45	100	375	1.47	400
MOX-MXCN-1008-751□	750	25	10 / 5 / 2	45	100	360	1.54	360
MOX-MXCN-1008-821□	820	25	10 / 5 / 2	45	100	350	1.61	400
MOX-MXCN-1008-911□	910	25	10 / 5 / 2	35	50	320	1.68	380
MOX-MXCN-1008-102□	1000	25	10 / 5 / 2	35	50	220	1.75	370
MOX-MXCN-1008-122□	1200	7.9	10 / 5 / 2	35	50	186	2.0	310
MOX-MXCN-1008-152□	1500	7.9	10 / 5 / 2	28	50	200	2.3	330
MOX-MXCN-1008-182□	1800	7.9	10 / 5 / 2	25	50	170	2.6	300
MOX-MXCN-1008-222□	2200	7.9	10 / 5 / 2	20	50	110	2.8	280
MOX-MXCN-1008-272□	2700	7.9	10 / 5 / 2	15	25	140	3.2	290
MOX-MXCN-1008-332□	3300	7.9	10 / 5 / 2	15	25	100	3.4	290
MOX-MXCN-1008-392□	3900	7.9	10 / 5 / 2	15	25	100	3.6	260
MOX-MXCN-1008-472□	4700	7.9	10 / 5 / 2	13	25	90	4.0	260
MOX-MXCN-1008-562□	5600	7.9	10 / 5 / 2	16	7.9	20	4.0	240
MOX-MXCN-1008-682□	6800	7.9	10 / 5 / 2	18	7.9	40	4.9	200
MOX-MXCN-1008-822□	8200	7.9	10 / 5 / 2	18	7.9	25	6.0	170

- When ordering, please specify tolerance & packaging codes.
- □Tolerance: G = ±2%, H = ±3%, J = ±5% , K = ±10%
- MoxiE packaging : Clear tape and reel is standard.
- L , Q : Agilent/HP4291A+Agilent/HP16197A
- SRF : Agilent/HP8753D / Agilent/HP4291A

MOX-MXCN SERIES



MOX-MXCN-1206 SPECIFICATIONS

MoxiE Part Number	Inductance (nH)	Test Frequency (MHz)	Tolerance (±%)	Q Min	Test Frequency (MHz)	SRF (MHz) Min	Rdc (Ω) Max	Irms (mA) Max
MOX-MXCN-1206-3R3□	3.3	100	10 / 5	30	300	6200	0.05	1000
MOX-MXCN-1206-6R8□	6.8	100	10 / 5	30	300	5500	0.07	1000
MOX-MXCN-1206-100□	10	100	10 / 5 / 2	40	300	4000	0.08	1000
MOX-MXCN-1206-120□	12	100	10 / 5 / 2	40	300	3200	0.08	1000
MOX-MXCN-1206-150□	15	100	10 / 5 / 2	40	300	3200	0.10	1000
MOX-MXCN-1206-180□	18	100	10 / 5 / 2	50	300	2800	0.10	1000
MOX-MXCN-1206-220□	22	100	10 / 5 / 2	50	300	2200	0.10	1000
MOX-MXCN-1206-270□	27	100	10 / 5 / 2	50	300	1800	0.11	1000
MOX-MXCN-1206-330□	33	100	10 / 5 / 2	55	300	1800	0.11	1000
MOX-MXCN-1206-390□	39	100	10 / 5 / 2	55	300	1800	0.12	1000
MOX-MXCN-1206-470□	47	100	10 / 5 / 2	55	300	1500	0.13	1000
MOX-MXCN-1206-560□	56	100	10 / 5 / 2	55	300	1450	0.14	1000
MOX-MXCN-1206-680□	68	100	10 / 5 / 2	55	300	1200	0.26	900
MOX-MXCN-1206-820□	82	100	10 / 5 / 2	55	300	1200	0.21	900
MOX-MXCN-1206-101□	100	100	10 / 5 / 2	55	300	1100	0.26	850
MOX-MXCN-1206-121□	120	100	10 / 5 / 2	60	300	1100	0.26	800
MOX-MXCN-1206-151□	150	100	10 / 5 / 2	60	300	950	0.31	750
MOX-MXCN-1206-181□	180	50	10 / 5 / 2	60	300	900	0.43	700
MOX-MXCN-1206-221□	220	50	10 / 5 / 2	60	300	760	0.50	670
MOX-MXCN-1206-271□	270	50	10 / 5 / 2	55	300	730	0.56	630
MOX-MXCN-1206-331□	330	50	10 / 5 / 2	45	150	650	0.62	590
MOX-MXCN-1206-391□	390	50	10 / 5 / 2	45	150	600	0.75	530
MOX-MXCN-1206-471□	470	50	10 / 5 / 2	45	150	550	1.30	490
MOX-MXCN-1206-561□	560	35	10 / 5 / 2	45	150	470	1.34	460
MOX-MXCN-1206-621□	620	35	10 / 5 / 2	45	150	470	1.58	460
MOX-MXCN-1206-681□	680	35	10 / 5 / 2	45	150	450	1.58	430
MOX-MXCN-1206-751□	750	35	10 / 5 / 2	45	150	440	2.25	320
MOX-MXCN-1206-821□	820	35	10 / 5 / 2	45	150	420	1.82	400
MOX-MXCN-1206-911□	910	35	10 / 5 / 2	45	150	410	2.95	310
MOX-MXCN-1206-102□	1000	35	10 / 5 / 2	45	150	400	2.80	320
MOX-MXCN-1206-122□	1200	35	10 / 5 / 2	45	150	380	3.20	300

- When ordering, please specify tolerance & packaging codes.
- □Tolerance: G = ±2%, H = ±3%, J = ±5% , K = ±10%
- MoxiE packaging : Clear tape and reel is standard.
- L , Q : Agilent/HP4291A+Agilent/HP16197A
- SRF : Agilent/HP8753D / Agilent/HP4291A