

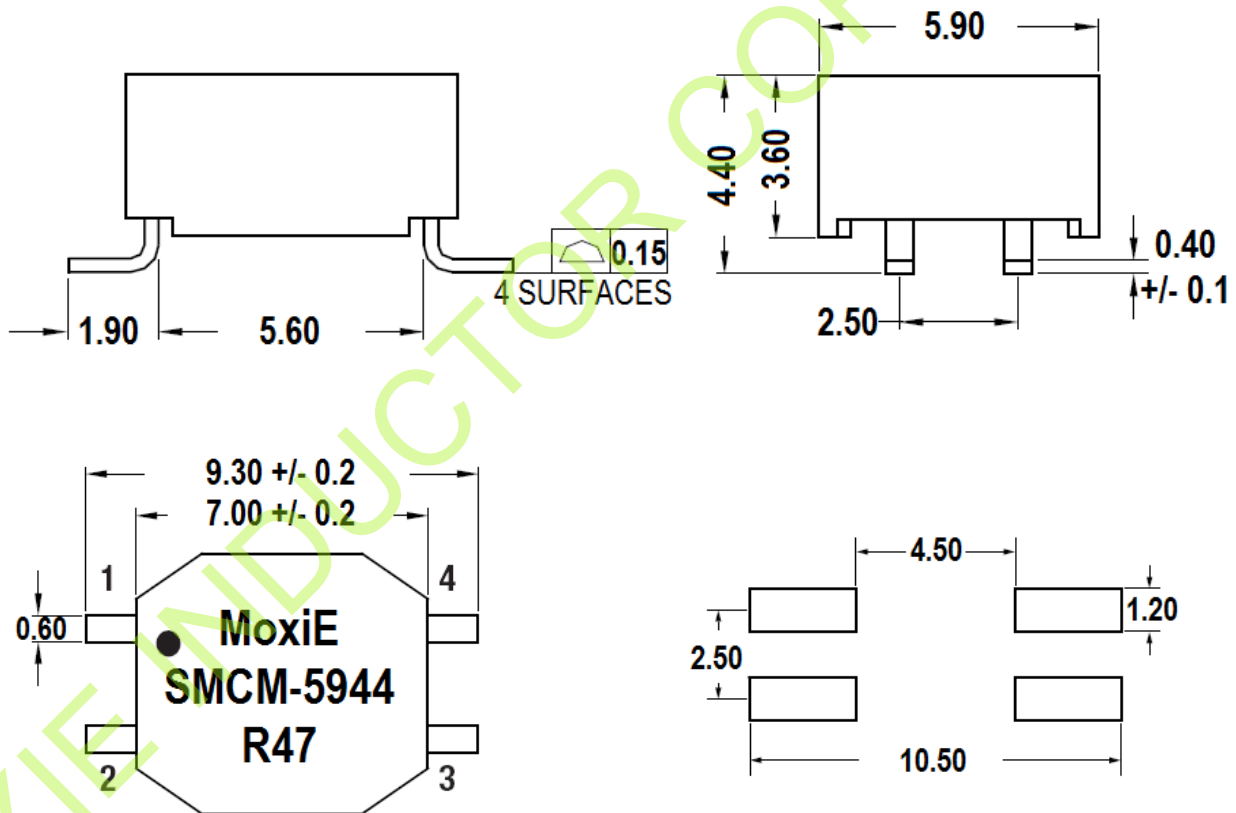
# MOX-SMCM-5944

## Surface Mount Common Mode Chokes

- Engineered for noise filter applications.
- Industrial operating temperature: -40°C to +85°C.
- UL94 V-0 package materials.
- RoHS compliant.
- Compact size.
- MoxiE custom designs available.
- J-STF-020C reflow.
- 0.47mH to 4.7mH range.



## MECHANICAL DIMENSIONS

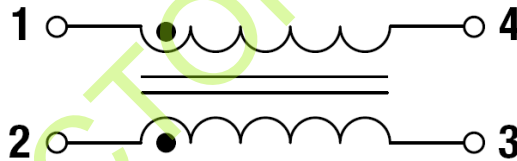




## ELECTRICAL SPECIFICATIONS

MOXIE PART NUMBER	INDUCTANCE <sup>1</sup> (0.1V @ 100kHz)	TOLERANCE	LEAKAGE INDUCTANCE (0.1V @ 100kHz) TYPICAL	LEAKAGE INDUCTANCE (0.1V @ 100kHz) MAXIMUM	DCR MAXIMUM (Ω)	CURRENT RATING <sup>2</sup> (SERIES CONNECTION) mA <sub>DC</sub>
MOX-SMCM-5944-R47	0.47	+50% / -30%	0.20	0.40	0.30	700
MOX-SMCM-5944-1R0	1.00	+50% / -30%	0.20	0.40	0.30	700
MOX-SMCM-5944-2R2	2.20	+50% / -30%	0.25	0.60	0.40	500
MOX-SMCM-5944-4R7	4.70	+50% / -30%	0.40	0.80	0.70	400

### SCHEMATIC



### MoxiE Engineering Notes:

- All specifications typical at  $T_A=25^{\circ}\text{C}$ .
- <sup>1</sup>Measured between pins 1-4 or 2-3.
- <sup>2</sup>Maximum DC current occurs when its temperature rise reaches  $+40^{\circ}\text{C}$ .
- Peak solder reflow:  $+250^{\circ}\text{C}$ .
- Pin finish: Pure tin dip.
- Storage temperature:  $-40^{\circ}\text{C}$  to  $+125^{\circ}\text{C}$ .
- Packaging: Tape & reel.
- MoxiE Inductor Corporation specifications are subject to change without notice.