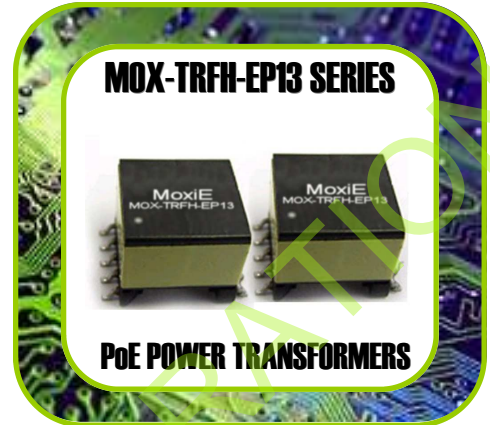


MOX-TRFH-EP13 SERIES

MoxiE[®]
INDUCTOR CORPORATION

High Frequency Wire Wound PoE Flyback Transformers (11W To 27W PoE)

- 10-pin (17.70mm X 14.00mm X 12.70mm) surface mount EP13 package.
- MoxiE custom designs available.
- Industrial operating temperature: -40°C to +85°C standard.
- Excellent solderability & resistance to soldering heat.
- Designed for power over ethernet (PoE).
- RoHS compliant.

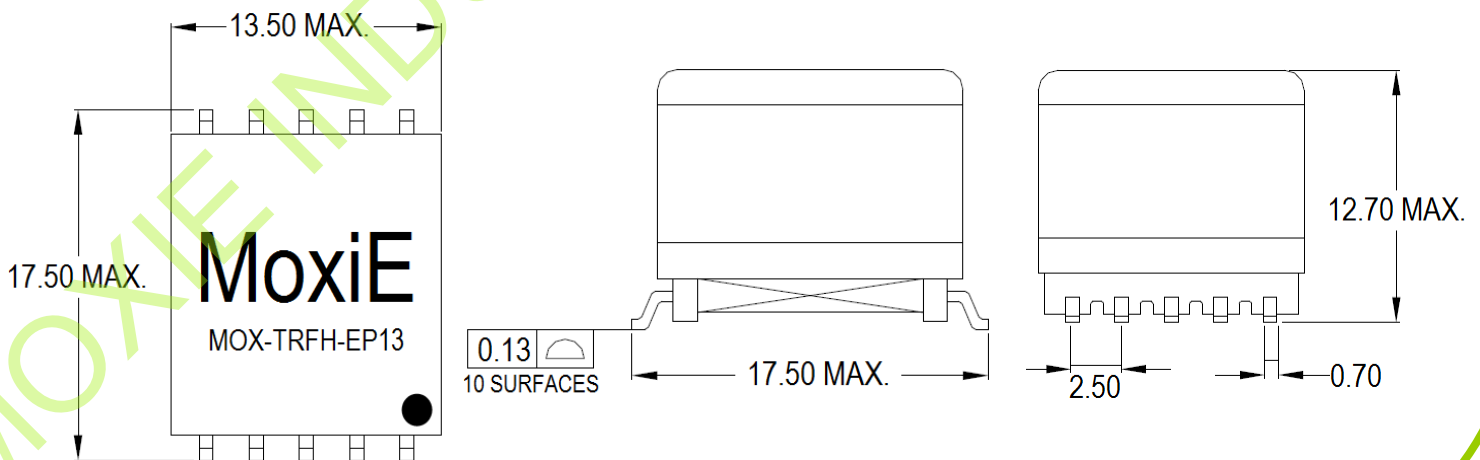


NOTES

Blank area for notes.



MECHANICAL DIMENSIONS (mm)



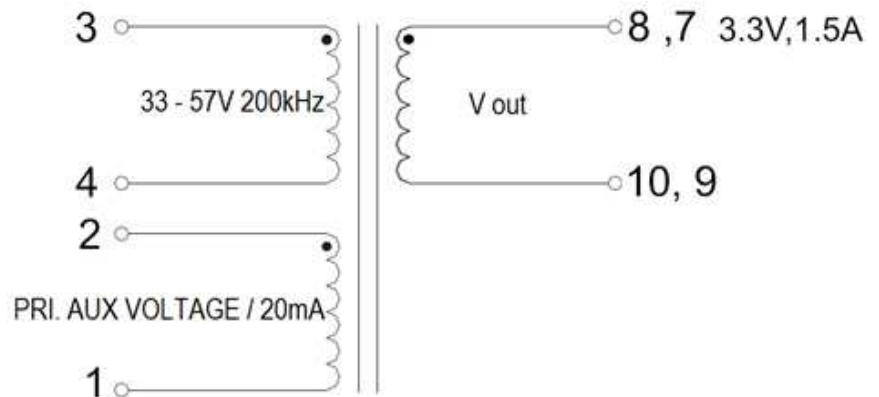
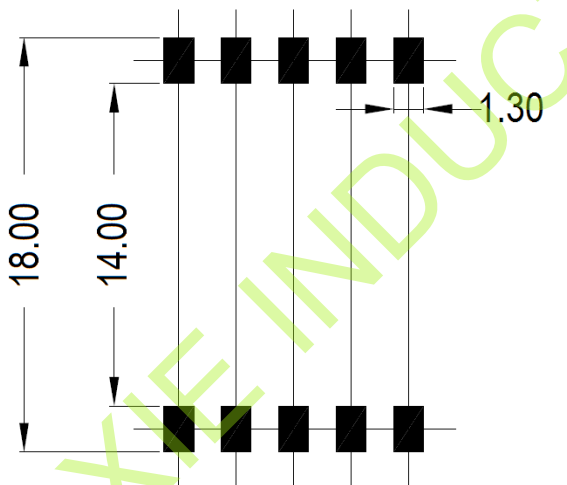


ELECTRICAL SPECIFICATIONS

MOXIE PART NUMBER	SPECIFICATIONS	TURNS RATIO			PRIMARY SECONDARY ISOLATION	PRIMARY INDUCTANCE ($\mu\text{H} \pm 10\%$)	LEAKAGE INDUCTANCE ($\mu\text{H MAX.}$)	DCR (m Ω MAXIMUM)			
		Pri.	Sec.	Pri-Aux.				Pri.	Pri. Aux.	SecA	SecB
MOX-TRFH-EP131	Vin=33-57v, Freq.=200kHz Vout=3.3v/13.5W, 8v/20mA	1	0.083	0.208	1500V _{RMS} OPERATIONAL	127	7.5	440	88	6	N/A
MOX-TRFH-EP132	Vin=33-57v, Freq.=200kHz Vout=3.3v/11 W, 12v/20mA	1	0.167	0.639		155.5	5.0	330	650	11	N/A
MOX-TRFH-EP133	Vin=33-57v, Freq.=200kHz Vout=3.3v/13.5W, 12v/20mA	1	0.182	0.682		77.4	5.0	100	270	8.5	N/A
MOX-TRFH-EP134	Vin=33-57v, Freq.=200kHz Vout=5.0v/13.5W, 8v/20mA	1	0.125	0.208		127	7.5	460	94	12	N/A
MOX-TRFH-EP135	Vin=33-57v, Freq.=200kHz Vout=5.0v/13.5W, 12v/20mA	1	0.273	0.682		77.4	0.8	220	250	18	N/A
MOX-TRFH-EP136	Vin=33-57v, Freq.=200kHz Vout=12v/13.5W, 8v/20mA	1	0.292	0.208		127	7.5	460	94	55	N/A
MOX-TRFH-EP137	Vin=33-57v, Freq.=200kHz Vout=12v/13.5W, 12v/20mA	1	0.682	0.682		77.4	5.0	100	270	75	N/A
MOX-TRFH-EP138	Vin=33-57v, Freq.=200kHz Vout=15v/27W, 12v/20mA	1	0.470	0.294		28.9	1.0	58	55	27	N/A



LANDING PATTERN & SCHEMATIC



- MOXIE INDUCTOR CORPORATION SPECIFICATIONS ARE SUBJECT TO CHANGE WITHOUT NOTICE.
- MOXIE INDUCTOR CORPORATION CUSTOM DESIGNED PRODUCTS ARE SUBJECT TO UNITED STATES COPYRIGHT AND OR PATENT PROTECTION (S).
- CUSTOM DESIGNS AVAILABLE—PLEASE CONTACT YOUR MOXIE REPRESENTATIVE FOR DETAILS.