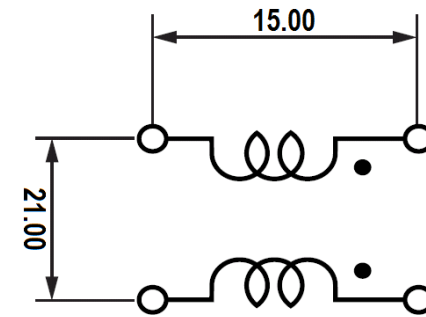
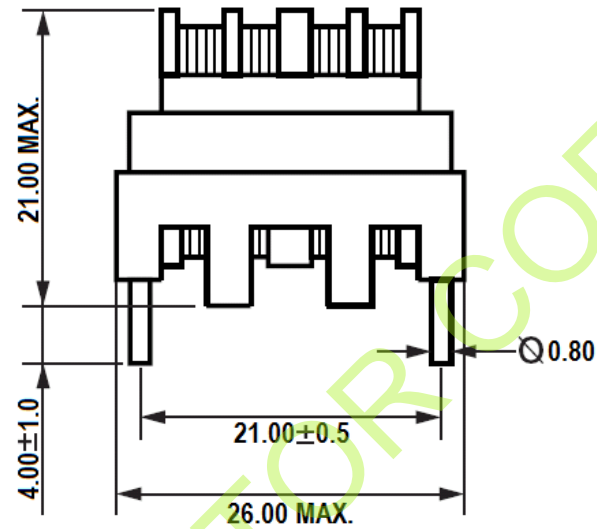
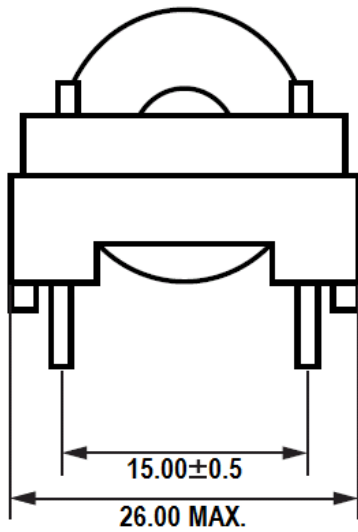


MECHANICAL



MOXIE NOTES:

- ALL DIMENSIONS IN MILLIMETERS.
- RoHS COMPLIANT.
- RATED VOLTAGE: 250VAC.
- WITHSTANDING VOLTAGE: 2400VAC. (2 SECONDS BETWEEN LINES)
- INSULATION RESISTANCE: 500VDC MORE THAN 100MΩ. (BETWEEN LINES)
- OPERATING TEMPERATURE RANGE: -25°C TO T. (T=120- TEMPERATURE RISE)
- INDUCTANCE MEASURED AT 1KHZ, 1V.
- MOXIE INDUCTOR CORPORATION CUSTOM DESIGNS AVAILABLE.
- MOXIE INDUCTOR CORPORATION SPECIFICATIONS SUBJECT TO CHANGE WITHOUT NOTICE.

MOXIE INDUCTOR CORPORATION
(888)535.5207 WWW.MOXIEINDUCTORS.COM

COMMON MODE CHOKE

MOXIE PART NUMBER: MOX-CMC-2626

PAGE 1/2

REV. A

DWG NUMBER: MOXCMC2626

ELECTRICAL

MOXIE PART NUMBER	INDUCTANCE (mH) MINIMUM	RATED CURRENT (A) MAXIMUM	DC RESISTANCE (Ω/LINE) MAXIMUM	TEMPERATURE RISE (K) MAXIMUM	THERMAL CLASS
MOX-CMC-2626-350	35.0	0.50	1.75	45.0	120°C (E)
MOX-CMC-2626-150	15.0	0.80	0.75	50.0	120°C (E)
MOX-CMC-2626-100	10.0	1.00	0.55	45.0	120°C (E)
MOX-CMC-2626-4R51	4.50	1.50	0.24	45.0	120°C (E)
MOX-CMC-2626-2R5	2.50	2.00	0.17	50.0	120°C (E)
MOX-CMC-2626-570	57.0	0.50	1.75	45.0	120°C (E)
MOX-CMC-2626-240	24.0	0.80	0.75	50.0	120°C (E)
MOX-CMC-2626-16R5	16.50	1.00	0.55	45.0	120°C (E)
MOX-CMC-2626-7R0	7.00	1.50	0.24	45.0	120°C (E)
MOX-CMC-2626-4R0	4.00	2.00	0.17	50.0	120°C (E)
MOX-CMC-2626-600	60.00	0.50	1.75	45.0	120°C (E)
MOX-CMC-2626-250	25.00	0.80	0.75	50.0	120°C (E)
MOX-CMC-2626-470	17.00	1.00	0.55	45.0	120°C (E)
MOX-CMC-2626-8R0	8.00	1.50	0.24	45.0	120°C (E)
MOX-CMC-2626-4R52	4.50	2.00	0.17	50.0	120°C (E)

MOXIE INDUCTOR CORPORATION
(888)535.5207 WWW.MOXIEINDUCTORS.COM

COMMON MODE CHOKE

MOXIE PART NUMBER: MOX-CMC-2626

PAGE 2/2

REV. A

DWG NUMBER: MOXCMC2626