

MOX-TMI-7U-SERIES

Unshielded 7mm Tunable RF Coils

MoxiE's MOX-TMI-7U series of tunable RF coils are engineered with a precision molded polypropylene case which provides electrical & mechanical stability.

Features:

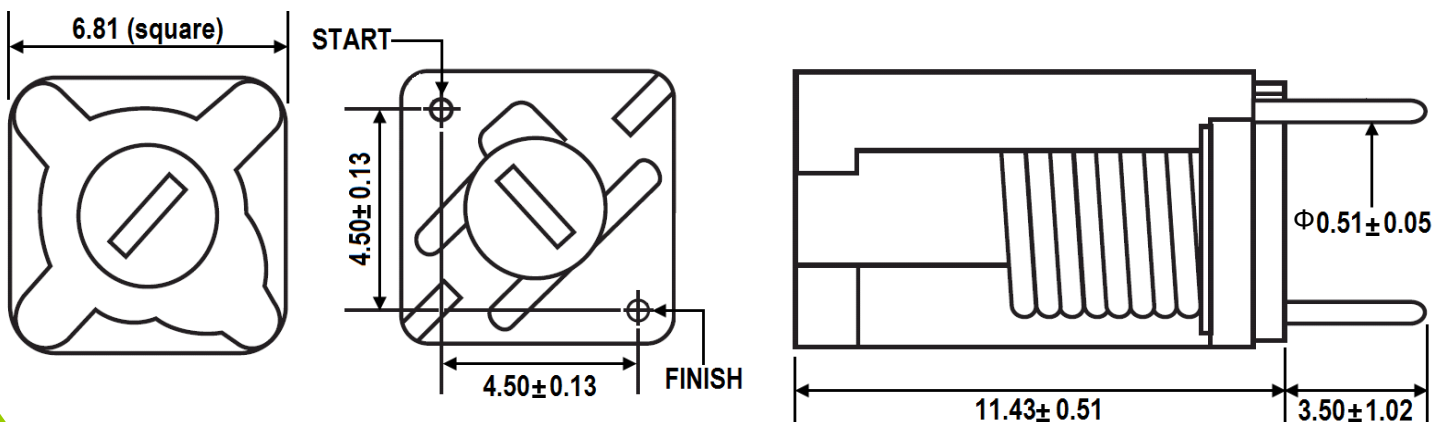
- Low drift reliability.
- Available without cores for use as fixed inductors.
- RoHS compliant.
- Optional brass plated shield cans with solderable tabs.
- MoxiE Inductor Corporation custom designs available.



NOTES



MECHANICAL DIMENSIONS



MOX-TMI-7U-SERIES



ELECTRICAL SPECIFICATIONS @ 25°C

MoxiE Part Number	Turns	No core L Nom. (nH)	L Min. (nH)	L Nom. (nH)	L Max. (nH)	Q min @ L Nom.	No core SRF min (MHz)	DCR Max. (mΩ)	Irms	Package Color
MOX-TMI-7U-B1R5A	1.5	44.5	46.0	49.0	52.0	88 @ 50 MHz	2000	8.0	11.0	Brown
MOX-TMI-7U-R2R5A	2.5	58.5	62.0	70.0	78.0	100 @ 50 MHz	1300	9.0	10.5	Red
MOX-TMI-7U-O3R5A	3.5	77.5	82.0	98.0	114	108 @ 50 MHz	1000	10.5	9.8	Orange
MOX-TMI-7U-Y4R5A	4.5	94.5	108	130	154	114 @ 50 MHz	780	11.6	9.3	Yellow
MOX-TMI-7U-G5R5A	5.5	116	137	165	193	114 @ 50 MHz	650	13.2	8.7	Green
MOX-TMI-7U-B6R5A	6.5	138	176	205	234	112 @ 50 MHz	550	14.7	8.2	Blue
MOX-TMI-7U-V7R5A	7.5	156	222	245	268	108 @ 50 MHz	510	16.0	7.9	Violet
MOX-TMI-7U-B1R5A	8.5	45.0	47.0	50.0	53.0	90 @ 50 MHz	1300	8.0	11.0	Brown
MOX-TMI-7U-R2R5B	2.5	65.0	68.0	78.0	88.0	100 @ 50 MHz	780	9.0	10.5	Red
MOX-TMI-7U-O3R5B	3.5	86.0	90.0	108	126	100 @ 50 MHz	560	10.5	9.8	Orange
MOX-TMI-7U-Y4R5B	4.5	111	117	146	175	94 @ 50 MHz	475	11.6	9.3	Yellow
MOX-TMI-7U-G5R5B	5.5	140	148	190	232	88 @ 50 MHz	430	13.0	8.8	Green
MOX-TMI-7U-B6R5B	6.5	167	188	240	292	78 @ 50 MHz	390	14.5	8.3	Blue
MOX-TMI-7U-V7R5B	7.5	198	231	292	350	72 @ 50 MHz	350	15.6	8.0	Violet
MOX-TMI-7U-G8R5B	8.5	228	272	342	412	68 @ 50 MHz	330	18.0	7.5	Gray
MOX-TMI-7U-W9R5B	9.5	264	330	405	480	66 @ 40 MHz	320	19.4	7.2	White
MOX-TMI-7U-B10R5B	10.5	292	390	465	540	60 @ 40 MHz	290	21.0	6.8	Black

MOXIE NOTES:

- Average current for a 40°C rise above 25°C ambient.
- Operating temperature range -40°C to +85°C.
- All inductance values greater than 0.1 μH read at recommended Q meter frequency.
- All inductance values below 0.1 μH calculated from readings taken at 50 MHz.
- L min measured with core halfway out top of form.
- Core material: Carbonyl J; Core length: 1/4 INCH.
- Terminations: (A) leads: Tin-silver over copper. (B) leads: Matte tin over copper
- Inductance and Q readings taken with 16 AWG tinned copper 1/2" long soldered along leads and bent at 90° 1/4" down from standoffs.
- MoxiE Inductor Corporation specifications are subject to change without notice
- MoxiE Inductor Corporation custom designed products are subject to United States copyright and or Patent protection(s).