

MOX-TMI-10U-SERIES

Unshielded 10mm Tunable Coils

MoxiE's MOX-TMI-10U series of tunable RF coils are engineered with a precision molded polypropylene case which provides electrical & mechanical stability.

Features:

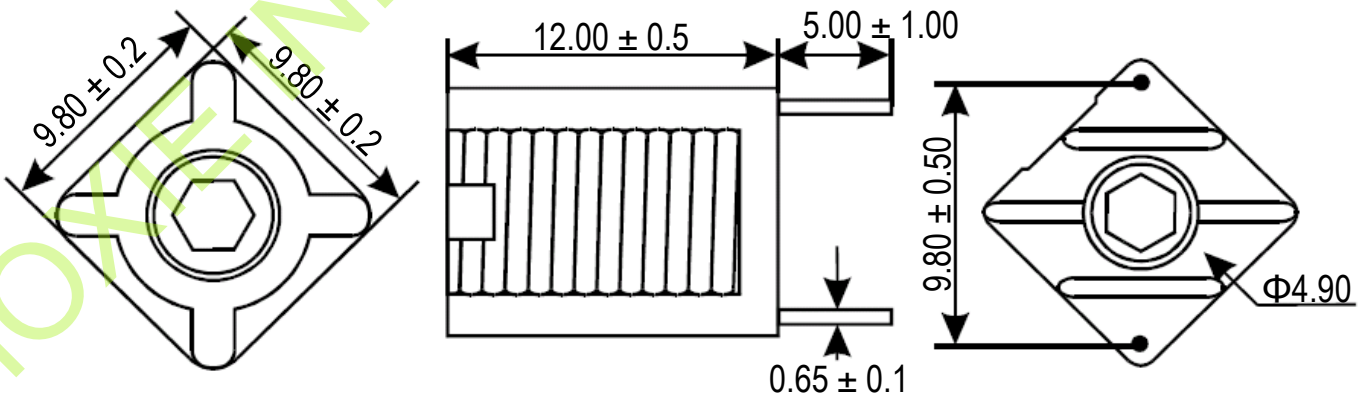
- Low drift reliability.
- Frequency Range: 30MHz~250MHz.
- Temperature coefficient: 150ppm/°C maximum.
- RoHS compliant.
- MoxiE Inductor Corporation custom designs available.



NOTES



MECHANICAL DIMENSIONS



MOX-TMI-10U-SERIES



ELECTRICAL SPECIFICATIONS @ 25°C

MoxiE Part Number	Case Color	Inductance Nominal (nH)	Inductance Minimum (nH)	Inductance Maximum (nH)	Q Minimum	Test Frequency (MHz)
MOX-TMI-10U-1.5T	White	42.0	32.0	52.0	92.0	100
MOX-TMI-10U-2.5T	Red	87.5	60.0	115.0	96.0	100
MOX-TMI-10U-3.5T	Orange	152.5	95.0	210.0	90.0	100
MOX-TMI-10U-4.5T	Yellow	195.0	130.0	260.0	80.0	50
MOX-TMI-10U-5.5T	Green	255.0	175.0	335.0	90.0	50
MOX-TMI-10U-6.5T	Blue	328.5	230.0	427.0	90.0	50
MOX-TMI-10U-7.5T	Violet	413.5	285.0	542.0	95.0	50
MOX-TMI-10U-8.5T	Gray	464.0	253.0	575.0	80.0	50
MOX-TMI-10U-9.5T	White	498.0	372.0	625.0	84.0	50
MOX-TMI-10U-10.5T	Red	544.0	403.0	685.0	80.0	50

MOXIE NOTES:

- Average current for a 40°C rise above 25°C ambient.
- MoxiE custom colors available upon request.
- Ferrite cores are available if the inductance value needs to be increased. (brass or aluminum cores are standard)
- Operating temperature range -40°C to +85°C.
- MoxiE test instruments: Q-METER171, Inductance: HP4191A.
- All inductance values greater than 0.1 μH read at recommended Q meter frequency.
- All inductance values below 0.1 μH calculated from readings taken at 50 MHz.
- MoxiE Inductor Corporation specifications are subject to change without notice.
- MoxiE Inductor Corporation custom designed products are subject to United States copyright and or Patent protection(s).