

MOX-RJ45TU1 SERIES



10/100/1000 BASE-TX RJ CONNECTOR WITH INTEGRATED MAGNETICS (TAB UP)

- Operating temperature: 0°C to +70°C.
- Industrial temperature range of -40°C to +85°C available.
- RoHS peak wave solder temperature rating 260°C.
- Meets or exceeds IEEE 802.3 standard for 100Base -T.
- 350uH minimum OCL with 8 mA bias current.
- RoHS compliant.
- MoxiE custom designs available.



ELECTRICAL SPECIFICATIONS @ 25°C

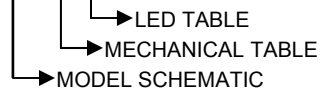
MoxiE Part Number	Turns Ratio		Insertion Loss (dB typical)	Return Loss (dB typical) 100Ω±15Ω				Crosstalk (dB typical)			Common Mode Rejection (dB typical)			Hi-Pot
	TX	RX	0.3-100 MHz	1-30 MHz	40 MHz	50 MHz	60-80 MHz	30 MHz	60 MHz	100 MHz	30 MHz	60 MHz	100 MHz	(Vrms)
MOX-RJ45TU1-001	1:1	1:1	-1.2	-16.0	-13.5	-11.5	-10.0	-40.0	-36.0	-30.0	-35.0	-32.0	-30.0	1500
MOX-RJ45TU1-002	1:1	1:1	-1.2	-16.0	-13.5	-11.5	-10.0	-40.0	-36.0	-30.0	-35.0	-32.0	-30.0	1500
MOX-RJ45TU1-003	1:1	1:1	-1.2	-16.0	-13.5	-11.5	-10.0	-40.0	-36.0	-30.0	-35.0	-32.0	-30.0	1500
MOX-RJ45TU1-004	1:1	1:1	-1.2	-16.0	-13.5	-11.5	-10.0	-40.0	-36.0	-30.0	-35.0	-32.0	-30.0	1500

MOXIE MATERIAL SPECIFICATIONS

SHIELD		CONTACT			CASE HOUSING		MSL RATING
Material	Finish	Material	Plating Area	Solder Area	Material	Specification	
Brass	20-40μ inches thick nickel over Brass	Phosphor Bronze	30μ inches gold over 30-80μ inches nickel	75-300μ inches tin-lead over 75-300μ inches nickel	Thermoplastic	UL 94 V-0	1

MOXIE PART NUMBERING SYSTEM

MOX-RJ45-XXXX X X*



*FOR -40°C TO +85°C ADD "-E" SUFFIX TO PART NUMBER

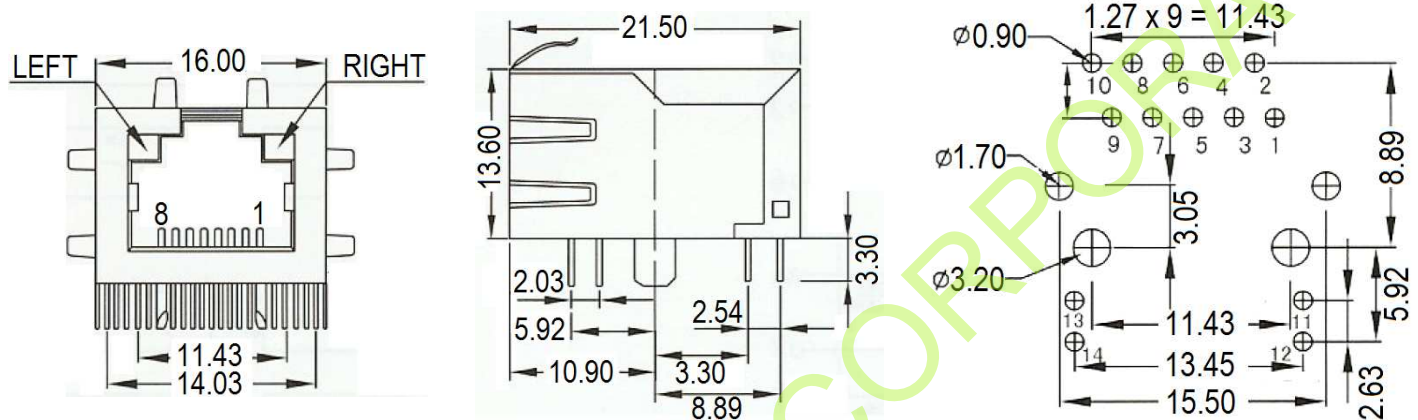
LED CODE	LED COLOR		LED POLARITY
U	G	YG	
D	Y	G	
E	G	Y	
F	G	G	
G	Y	G	
H	G	Y	

MOX-RJ45TU1 SERIES

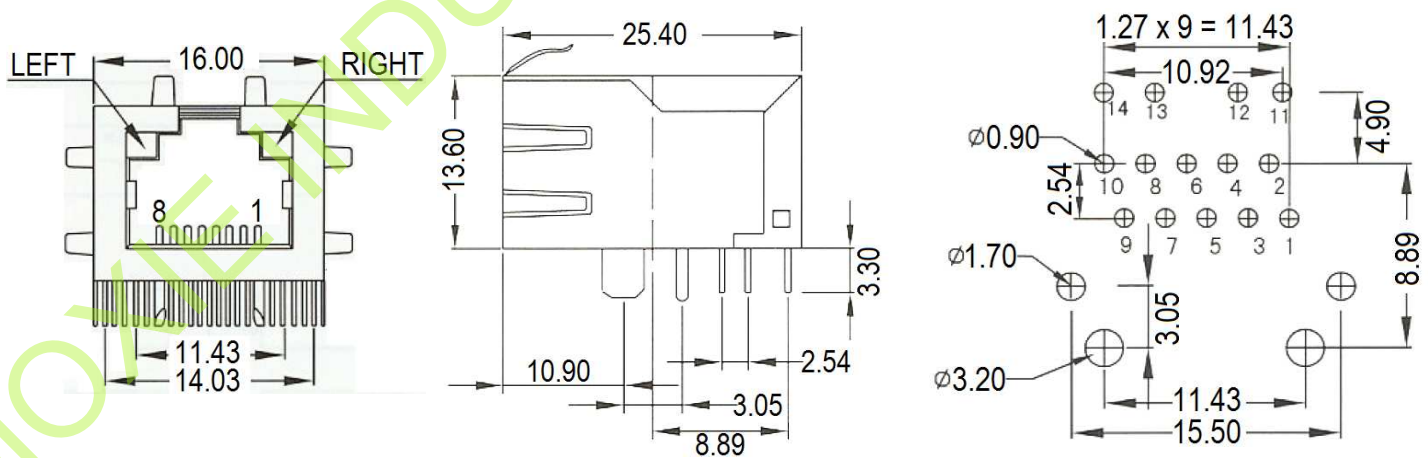
10/100/1000 BASE-TX RJ CONNECTOR WITH INTEGRATED MAGNETICS (TAB UP)

MoxiE[®]
INDUCTOR CORPORATION

MOX-RJ45TU1-001, 002 & 003



MOX-RJ45TU1-004



MOX-RJ45TU1 SERIES

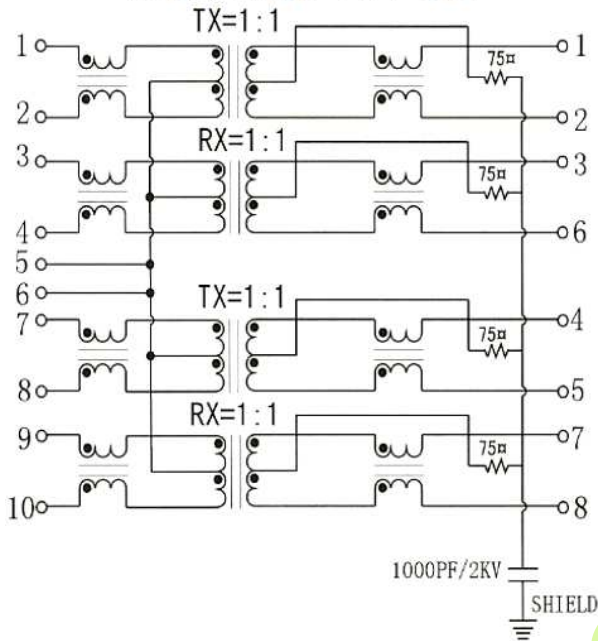
10/100/1000 BASE-TX RJ CONNECTOR WITH INTEGRATED MAGNETICS (TAB UP)

MoxiE[®]
INDUCTOR CORPORATION

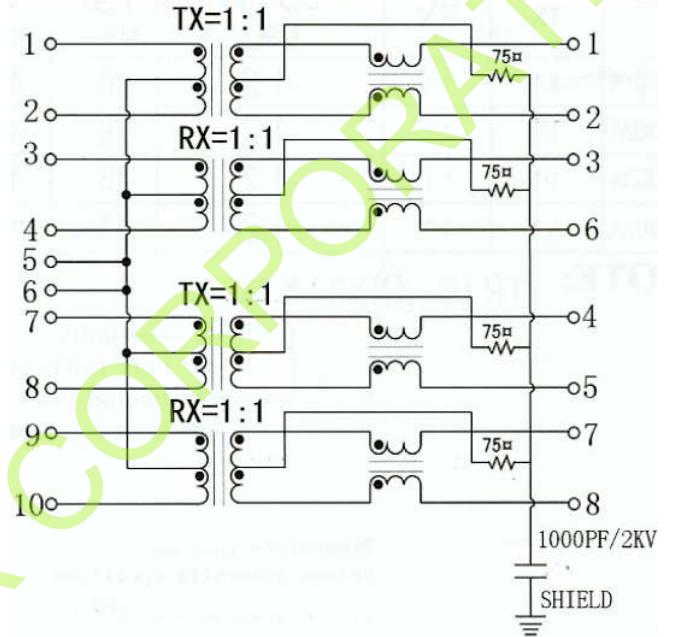


SCHEMATICS

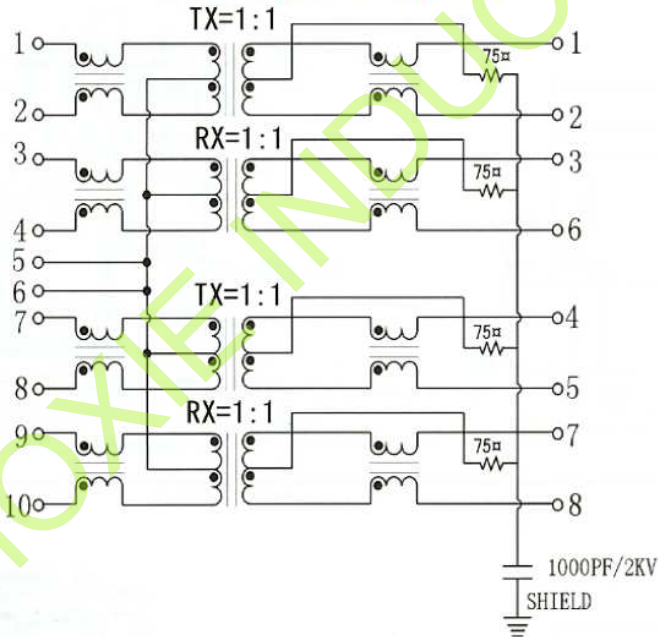
MOX-RJ45-TU1-001



MOX-RJ45-TU1-002



MOX-RJ45-TU1-003



MOX-RJ45-TU1-004

