

# MOX-TRF-DTH8 SERIES



## DUAL THRU-HOLE T1/E1/CEPT/ISDN-PRI TRANSFORMERS

MoxiE's TRF-DTH8 series of thru-hole transformers are engineered for low profile and at 1500Vrms isolation voltage.

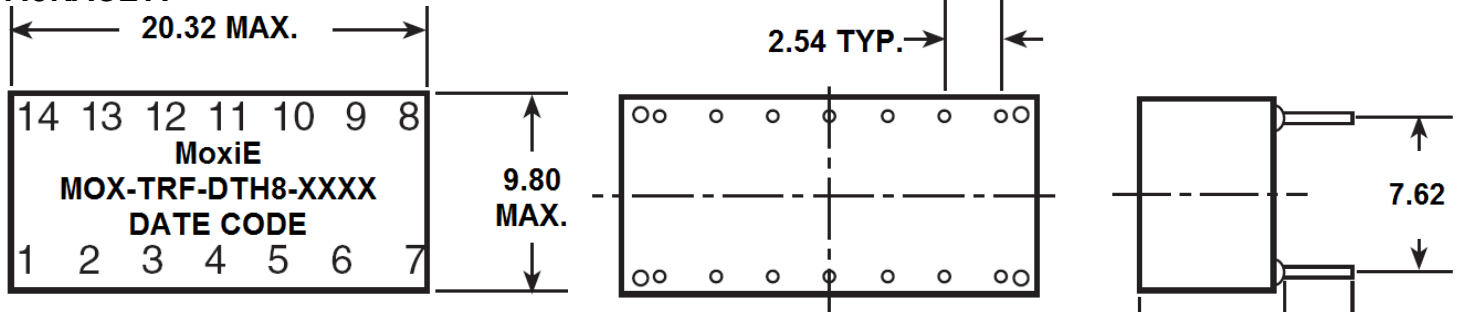
### FEATURES:

- Low cost.
- Meets IEEE 802.3 & ANSI X3.263 standards.
- Isolation voltage: 1500 Vrms.
- RoHS compliant.
- MoxiE Inductor Corporation custom designs available.

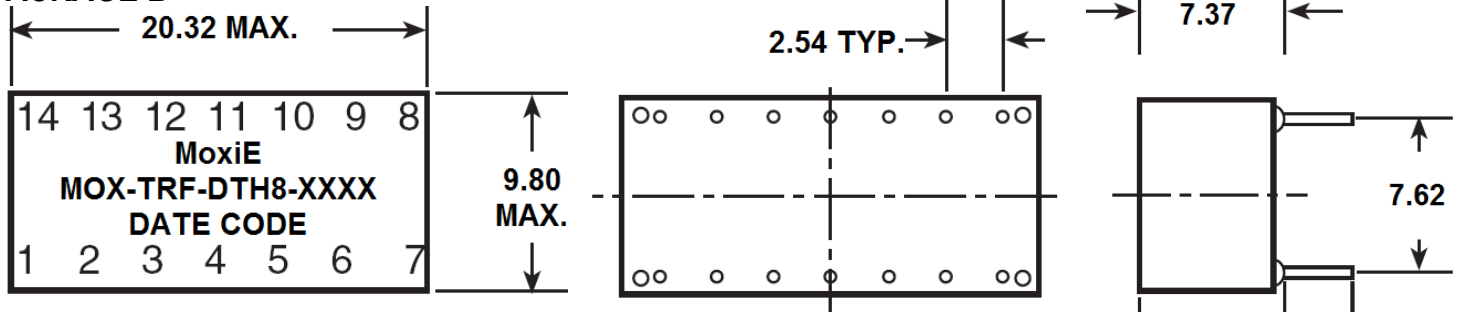


## MECHANICAL DIMENSIONS

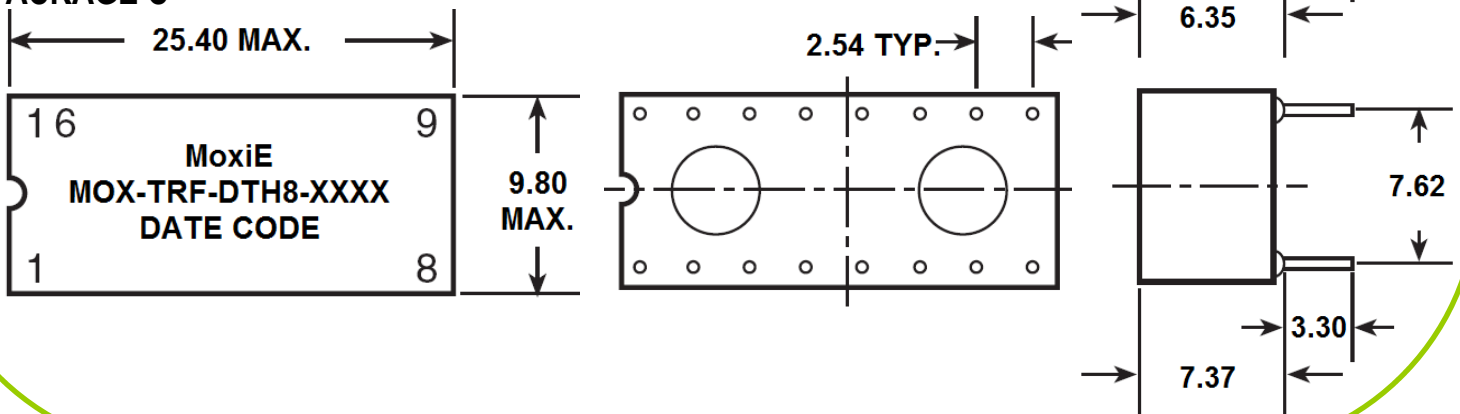
### PACKAGE A



### PACKAGE B

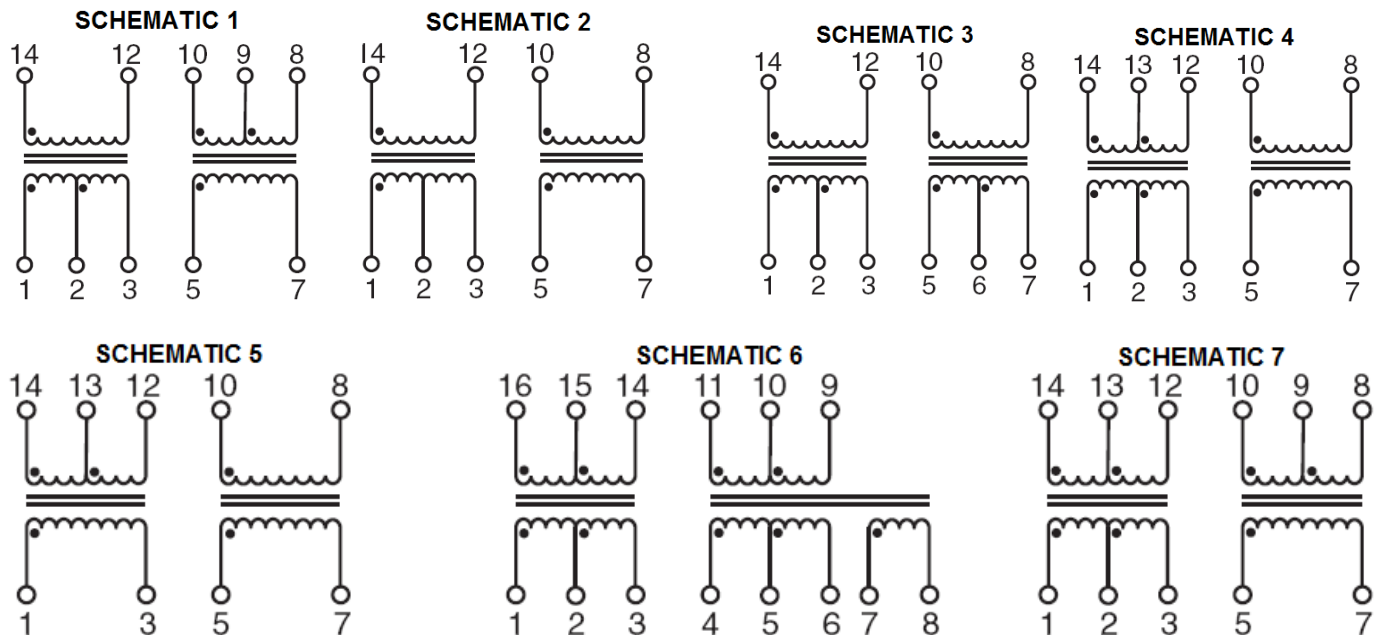


### PACKAGE C





## SCHEMATICS



## ELECTRICAL SPECIFICATIONS

MOXIE PART NUMBER (STANDARD TEMP.)	TURNS RATIO (PRI:SEC ± 5%)	OCL @ 25°C (mH Min)	C <sub>ww</sub> (pF Max.)	LL (μH Max.)	DCR Pri (Ω Max.)	DCR Sec (Ω Max.)	PACKAGE & SCHEMATIC	Primary Pins
MOX-TRF-DTH8-84951	1:2CT & 1:2CT	1.20 & 1.20	35 & 35	0.50 & 0.50	0.70 & 0.70	1.20 & 1.20	B1	14-12, 5-7
MOX-TRF-DTH8-84952	1:2CT & 1:1.36	1.20 & 1.20	35 & 35	0.50 & 0.80	0.80 & 0.80	1.20 & 1.00	B2	14-12, 5-7
MOX-TRF-DTH8-84953	1:2CT & 1:2CT	2.00 & 1.20	50 & 50	0.60 & 0.60	1.00 & 1.00	2.00 & 2.00	B3	14-12, 10-8
MOX-TRF-DTH8-84954	1 CT:2CT & 1:1	1.20 & 1.20	30 & 30	0.30-0.55 & 0.50	0.70 & 0.70	1.20 & 0.70	B4	1-3, 5-7
MOX-TRF-DTH8-84955	1:1.26CT & 1.58:1	0.80 & 0.80	30 & 30	0.50 & 0.50	0.60 & 0.60	0.70 & 0.30	B5	1-3, 5-7
MOX-TRF-DTH8-84956	1:1CT & 2:1	0.80 & 0.80	30 & 30	0.60 & 0.60	0.50 & 0.50	0.50 & 0.20	B5	1-3, 5-7
MOX-TRF-DTH8-84957	1 CT: 1.31 & 2.62:1	1.20 & 1.20	30 & 30	0.80 & 0.80	0.60 & 0.60	0.50 & 0.30	B5	1-3, 5-7
MOX-TRF-DTH8-84965	1:1.15CT & 1:2CT	1.50 & 1.20	35 & 40	0.60 & 0.50	0.70 & 0.70	1.10 & 1.30	A1	14-12, 5-7
MOX-TRF-DTH8-84966	1:1/1.26 & 1:2CT	1.50 & 1.20	40 & 40	0.50 & 0.40	0.70 & 0.70	0.90 & 1.30	A1	14-12, 5-7

MOXIE PART NUMBER (EXTENDED TEMP.)	TURNS RATIO (PRI:SEC ± 5%)	OCL @ 25°C (mH Min)	C <sub>ww</sub> (pF Max.)	LL (μH Max.)	DCR Pri (Ω Max.)	DCR Sec (Ω Max.)	PACKAGE & SCHEMATIC	Primary Pins
MOX-TRF-DTH8-84951	1:1.15CT & 1:2CT	1.50 & 1.20	40 & 60	0.80 & 0.80	0.90 & 0.90	1.00 & 1.70	A1	14-12, 5-7
MOX-TRF-DTH8-84952	1:1/1.26 & 1:2CT	1.50 & 1.20	50 & 60	0.80 & 0.80	0.90 & 0.90	1.00 & 1.70	A1	14-12, 5-7
MOX-TRF-DTH8-84953	1 CT:2CT & 1:1.36CT	1.20 & 1.20	50 & 50	0.96 & 0.80	1.00 & 1.00	1.70 & 1.20	A7	14-12, 5-7
MOX-TRF-DTH8-84954	1 CT:1 CT & 3CT:1 CT:25	1.20 & 32.0	40 & 65	0.80 & 0.80	1.00 & 3.00	1.00 & 1.20	C6	1-3, 11-9
MOX-TRF-DTH8-84955	1 CT:1 CT & 1 CT:3CT:1	1.20 & 1.60	50 & 50	0.80 & 0.80	1.00 & 0.80	1.00 & 2.00	C6	1-3, 4-6

## NOTES

### MoxiE Notes:

- Standard operating temperature  $-20^{\circ}\text{C}$  to  $+70^{\circ}\text{C}$ .
- Extended operating temperature  $-40^{\circ}\text{C}$  to  $+85^{\circ}\text{C}$ .
- MSL = Moisture Sensitivity Level a=1 b=2 c=3 d=4
- Meets RoHS-6 peak reflow rating of  $245^{\circ}\text{C}$ .
- RoHS-6 Compliant: MoxiE Product does not contain 5 out of the 6 banned substances specified in the RoHS directive.
- Some internal connections may contain lead in high-temperature solder (solder alloys containing more than 85% lead).
- Packaging: Tube or tape & reel.
- MoxiE Inductor Corporation specifications are subject to change without notice.