

MOX-LAN-QP4B-81000

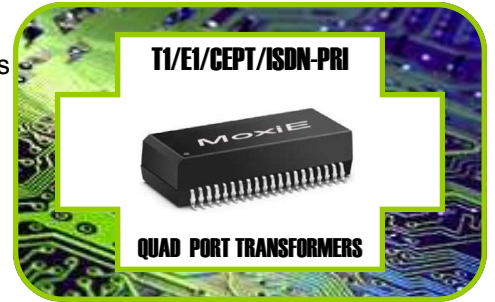


T1/E1/CEPT/ISDN-PRI QUAD PORT TRANSFORMERS

MoxiE's LAN-QP4B-81000 series of surface mount quad port transformers are designed with a compact footprint and a low profile.

FEATURES:

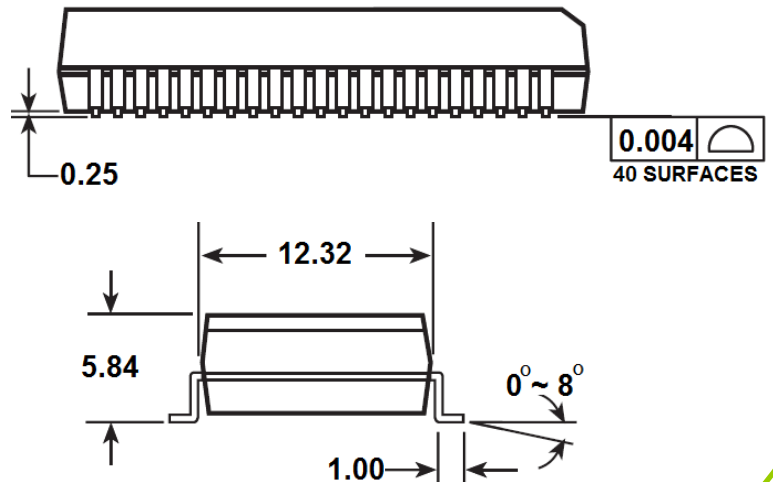
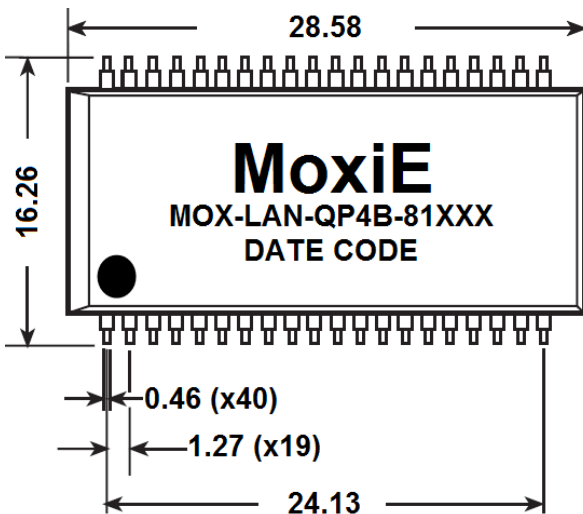
- Matched to leading quad & dual T1/E1/CEPT/ISDN transceivers.
- Quad port SMT package with 8 transformers.
- Meets IEEE 802.3 & ANSI X3.263 standards.
- Isolation voltage: 1500 Vrms.
- Crosstalk: -65dB or better.
- RoHS compliant.
- MoxiE Inductor Corporation custom designs available.



NOTES

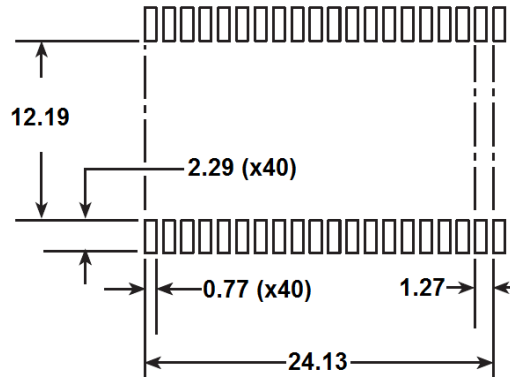


MECHANICAL DIMENSIONS





LANDING PATTERNS

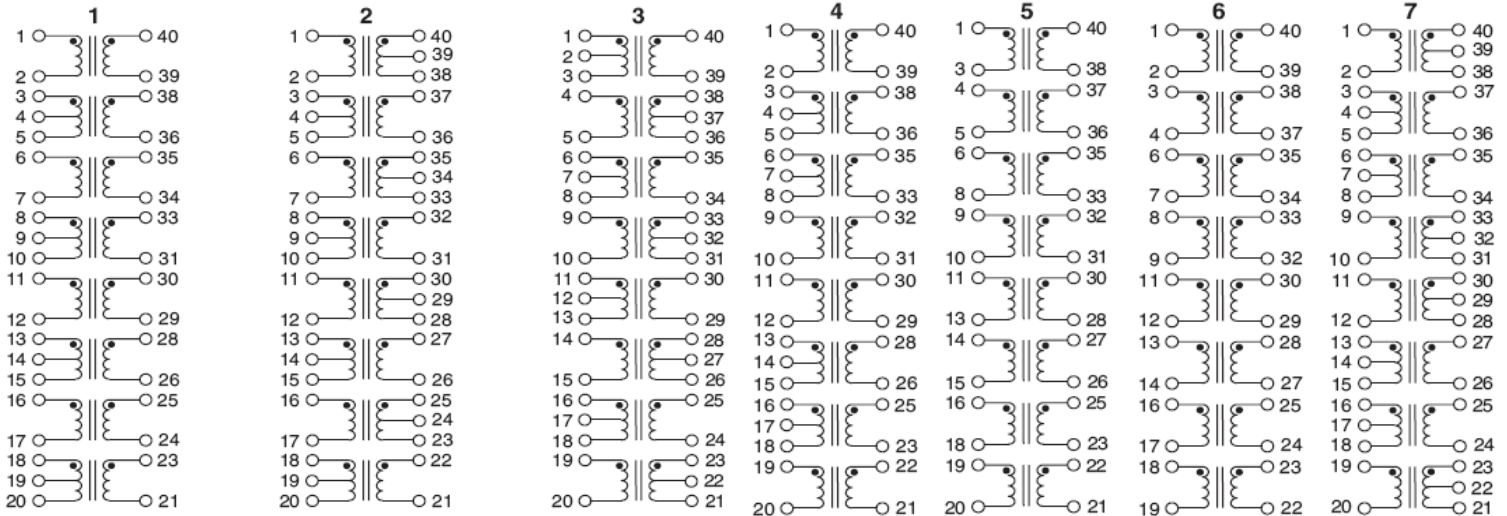


ELECTRICAL SPECIFICATIONS

| MoxiE MOX-LAN | | Turns Ratio (Pri:Sec ± 2%) | | | | LL (µH MAX) | | C _{ww} (pF MAX) | | Schematic Reference | Primary Pins | |
|---------------|-------------|----------------------------|-----------|----------|---------|-------------|---------|--------------------------|---------|---------------------|----------------------------|----------------------------|
| STD Temp. | EXT Temp. | Transmit | Receive | Transmit | Receive | Transmit | Receive | Transmit | Receive | | Transmit | Receive |
| QP4B-81063 | QP4B-81103 | 1:1.36 | 1:1.36CT | 1.2 | 1.2 | .6 | .6 | 35 | 35 | 1 | 1-2, 6-7, 11-12, 16-17 | 38-36, 33-31, 28-26, 23-21 |
| QP4B-81064 | QP4B-81104 | 1:1.14 | 1:1.14CT | 1.2 | 1.2 | .6 | .6 | 35 | 35 | 1 | 1-2, 6-7, 11-12, 16-17 | 38-36, 33-31, 28-26, 23-21 |
| QP4B-81065 | QP4B-81105 | 1:2CT | 1:2CT | 1.2 | 1.2 | .8 | .8 | 35 | 35 | 3 | 4-5, 9-10, 14-15, 19-20 | 24-25, 29-30, 34-35, 39-40 |
| QP4B-81066 | QP4B-81106 | 1:2 | 1:2CT | 1.2 | 1.2 | .6 | .6 | 35 | 35 | 4 | 1-2, 9-10, 11-12, 19-20 | 23-25, 26-28, 33-35, 36-38 |
| QP4B-81067 | QP4B-81107 | 1:1.36CT | 1:2CT | 1.2 | 1.2 | .6 | .6 | 35 | 35 | 3 | 24-25, 29-30, 34-35, 39-40 | 4-5, 9-10, 14-15, 19-20 |
| QP4B-81068 | QP4B-81108 | 1:2CT | 1:1 CT | 1.2 | 1.2 | .6 | .6 | 35 | 35 | 2 | 1-2, 6-7, 11-12, 16-17 | 21-22, 26-27, 31-32, 36-37 |
| QP4B-81069 | QP4B-81109 | 1 CT:1.41 | 1 CT:1.41 | 1.2 | 1.2 | .6 | .6 | 35 | 35 | 3 | 1-3, 6-8, 11-13, 16-18 | 21-23, 26-28, 31-33, 36-38 |
| QP4B-81070 | QP4B-81110 | 1:1.15 | 1:2CT | 1.2 | 1.2 | .6 | .6 | 35 | 35 | 1 | 1-2, 6-7, 11-12, 16-17 | 21-23, 26-28, 31-33, 36-38 |
| QP4B-81071 | QP4B-81111 | 1:1/1.26 | 1:2CT | 1.2 | 1.2 | .6 | .6 | 35 | 35 | 2 | 1-2, 6-7, 11-12, 16-17 | 21-22, 26-27, 31-32, 36-37 |
| QP4B-81072 | QP4B-81112 | 1:1.15 | 1:1.15 | 1.2 | 1.2 | .6 | .6 | 35 | 35 | 5 | 1-3, 6-8, 11-13, 16-18 | 4-5, 9-10, 14-15, 19-20 |
| QP4B-81073 | QP4B-81113 | 1:2 | 1:2 | 1.2 | 1.2 | .6 | .6 | 35 | 35 | 5 | 1-3, 6-8, 11-13, 16-18 | 4-5, 9-10, 14-15, 19-20 |
| QP4B-81078 | — | 1:1.08 | 1.08CT:1 | 1.2 | 1.2 | .4 | .5 | 35 | 35 | 1 | 1-2, 6-7, 11-12, 16-17 | 38-36, 33-31, 28-26, 23-21 |
| QP4B-81124 | QP4B-81114 | 1:2CT | 1 CT:2 | 1.2 | 1.2 | .6 | .6 | 35 | 35 | 3 | 4-5, 9-10, 14-15, 19-20 | 1-3, 6-8, 11-13, 16-18 |
| QP4B-81125 | — | 1:1.70 | 1:1.36CT | 1.2 | 1.2 | .8 | .6 | 35 | 35 | 1 | 1-2, 6-7, 11-12, 16-17 | 21-23, 26-28, 31-33, 36-38 |
| QP4B-81129 | — | 1:1.36CT | 1:1 CT | 1.2 | 1.2 | .6 | .6 | 35 | 35 | 3 | 24-25, 29-30, 34-35, 39-40 | 4-5, 9-10, 14-15, 19-20 |
| QP4B-81142 | QP4B-81231 | 1:2.4 | 1:1 | 1.0 | 1.0 | .5 | .5 | 35 | 35 | 6 | 1-2, 8-9, 11-12, 18-19 | 24-25, 27-28, 34-35, 37-38 |
| — | QP4B-81268E | 1:2.8 | 1:1 | 1.0 | 1.0 | .5 | .5 | 35 | 35 | 6 | 1-2, 8-9, 11-12, 18-19 | 24-25, 27-28, 34-35, 37-38 |
| — | QP4B-81226 | 1:1.5 | 1.41:1 | 1.0 | 1.0 | .5 | .5 | 35 | 35 | 6 | 1-2, 8-9, 11-12, 18-19 | 24-25, 27-28, 34-35, 37-38 |
| QP4B-81145 | — | 1:2.24 | 1:0.79/1 | 1.0 | 1.0 | 1.0 | 1.0 | 35 | 35 | 7 | 1-2, 9-10, 11-12, 19-20 | 37-36, 35-34, 27-26, 25-24 |
| QP4B-81180 | — | 1:2.42 | 1:2.42 | 1.2 | 1.2 | .6 | .6 | 35 | 35 | 5 | 1-3, 6-8, 11-13, 16-18 | 4-5, 9-10, 14-15, 19-20 |
| QP4B-81181 | — | 1:2.1 CT | 1:2.1 CT | 1.2 | .6 | .6 | .6 | 35 | 35 | 2 | 1-2, 6-7, 11-12, 16-17 | 21-22, 26-27, 31-32, 36-37 |
| QP4B-81182 | — | 1:2.45CT | 1:2.45CT | 1.2 | .6 | .6 | .6 | 35 | 35 | 2 | 1-2, 6-7, 11-12, 16-17 | 21-22, 26-27, 31-33, 36-37 |
| — | QP4B-81262E | 1:2 | 1:2 | 1.2 | 1.2 | .7 | .7 | 35 | 35 | 6 | 1-2, 6-7, 11-12, 16-17 | 3-4, 8-9, 13-14, 18-19 |
| — | QP4B-81264E | 1:2CT | 1 CT:1 | 1.2 | 1.2 | .6 | .6 | 35 | 35 | 3 | 4-5, 9-10, 14-15, 19-20 | 1-3, 6-8, 11-13, 16-18 |
| — | QP4B-81266E | 1:2 | 1:1 | 1.2 | 1.2 | .6 | .6 | 35 | 35 | 5 | 1-3, 6-8, 11-13, 16-18 | 4-5, 9-10, 14-15, 19-20 |
| — | QP4B-81292E | 1:1.36 | 1:1 | 1.2 | 1.2 | .6 | .6 | 40 | 40 | 5 | 1-3, 6-8, 11-13, 16-18 | 4-5, 9-10, 14-15, 19-20 |
| — | QP4B-81294E | 1:1 CT | 1:1 CT | 1.2 | 1.2 | .6 | .6 | 35 | 35 | 3 | 4-5, 9-10, 14-15, 19-20 | 24-25, 29-30, 34-35, 39-40 |
| — | QP4B-81295E | 1:1.26CT | 1:1.26CT | 1.2 | 1.2 | .6 | .6 | 35 | 35 | 3 | 4-5, 9-10, 14-15, 19-20 | 24-25, 29-30, 34-35, 39-40 |
| — | QP4B-81298E | 1:1 | 1:1 | 1.2 | 1.2 | .7 | .7 | 35 | 35 | 5 | 1-3, 6-8, 11-13, 16-18 | 4-5, 9-10, 14-15, 19-20 |



SCHEMATICS



NOTES

MoxiE Notes:

- Standard operating temperature -20°C to $+70^{\circ}\text{C}$.
- Extended operating temperature -40°C to $+85^{\circ}\text{C}$.
- MSL = Moisture Sensitivity Level a=1 b=2 c=3 d=4
- Meets RoHS-6 peak reflow rating of 245°C .
- RoHS-6 Compliant: MoxiE Product does not contain 5 out of the 6 banned substances specified in the RoHS directive.
- Some internal connections may contain lead in high-temperature solder (solder alloys containing more than 85% lead).
- Packaging: Tube or tape & reel.
- MoxiE Inductor Corporation specifications are subject to change without notice.