

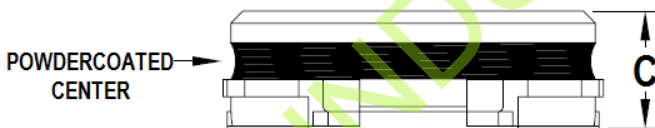
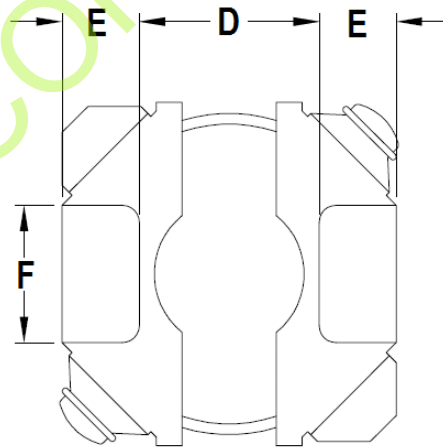
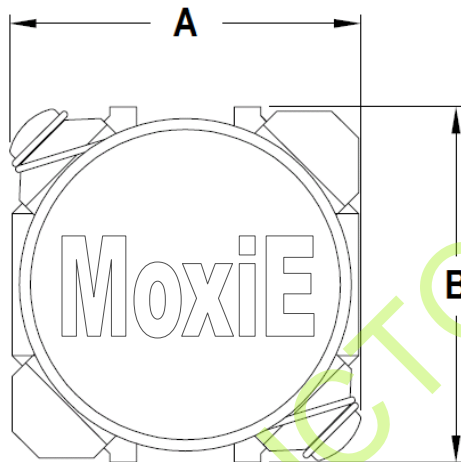
MOX-UPIL-0301 SERIES

Ultra Low Profile Power Inductors

- Industrial operating temperature: -25°C to +105°C.
- Inductance range: 1.00μH to 22.00μH
- Power ratings of up to 1.65 amps.
- Ultra low profile design.
- Powder coated center.
- Ferrite core.
- RoHS compliant.
- MoxiE custom designs available.



MECHANICAL DIMENSIONS



**MOXIE NOTE:
ALL DIMENSIONS IN MM.**

A	B	C (MAX.)	D (TYP.)	E (TYP.)	F (TYP.)
3.00 ± 0.2	3.00 ± 0.3	1.00	1.50	0.70	1.20

MOX-UPIL-0301 SERIES



ELECTRICAL SPECIFICATIONS

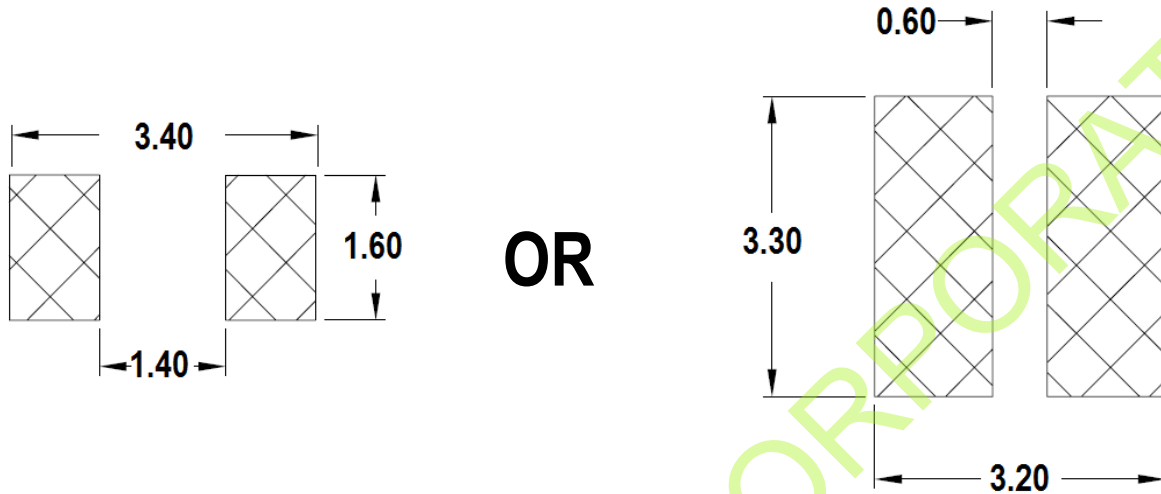
MoxiE Part Number	Inductance (μ H)	Frequency (KHz)	RDC (m Ω) \pm 20%	IDC ¹ (A)	IDC ² (A)
MOX-UPIL-0301-1R0N	1.0 \pm 30%	0.1V/100KHz	72	1.35	1.65
MOX-UPIL-0301-1R5N	1.5 \pm 30%	0.1V/100KHz	86	1.15	1.50
MOX-UPIL-0301-2R2N	2.2 \pm 30%	0.1V/100KHz	120	0.98	1.28
MOX-UPIL-0301-3R3N	3.3 \pm 30%	0.1V/100KHz	170	0.85	1.05
MOX-UPIL-0301-4R7M	4.7 \pm 20%	0.1V/100KHz	250	0.68	0.95
MOX-UPIL-0301-6E8M	6.8 \pm 20%	0.1V/100KHz	350	0.57	0.70
MOX-UPIL-0301-100M	10 \pm 20%	0.1V/100KHz	490	0.48	0.65
MOX-UPIL-0301-150M	15 \pm 20%	0.1V/100KHz	680	0.39	0.55
MOX-UPIL-0301-220M	22 \pm 20%	0.1V/100KHz	1000	0.37	0.45

- ¹Based on inductance change ($\Delta L/L_0 \leq 30\%$) at ambient temperature of +25°C.
- ²Based on temperature rise ($\Delta T: +40^\circ\text{C}$ Typical).
- Storage temperature: -40° to +105°C.
- Operating temperature: -40° to +105°C.
- Resistance to soldering heat: +260°C for ten (10) seconds.
- Measuring frequency: (L) 100KHz.
- Available tolerances: N= \pm 30%, M= \pm 20%
- MoxiE Inductor Corporation specifications are subject to change without notice.

MOX-UPIL-0301 SERIES



LANDING PATTERNS



PACKAGING

MOXIE PART NUMBER	PACKAGING	QUANTITY PER REEL
MOX-UPIL-0301 SERIES	TAPE & REEL	3000

