

MOX-SPI-8D-SERIES

MoxiE[®]
INDUCTOR CORPORATION

Surface Mount Magnetically Shielded Power Inductors

- High rated current and low DCR.
- Magnetically shielded octagon design.
- Operating temperature: -40°C to +105°C.
- Excellent solderability & resistance to soldering heat.
- RoHS compliant.
- Packaging: Tape & Reel (1000 pcs)
- MoxiE Inductor Corporation custom designs available.

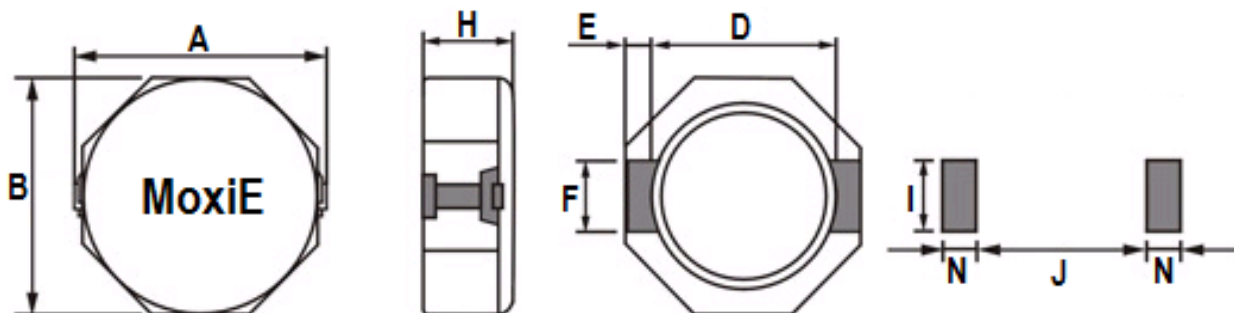


PART NUMBERS

MOXIE PART NUMBER	A (MAX)	B (MAX)	H (MAX)	D	E	F	N	I	J
MOX-SPI-8D28	9.00	8.00±0.3	3.00	6.30	1.20	2.60	3.30	3.00	6.00
MOX-SPI-8D38	9.00	8.00±0.3	4.00	6.30	1.20	2.60	3.30	3.00	6.00
MOX-SPI-8D43	9.00	8.00±0.3	4.50	6.30	1.20	2.60	3.30	3.00	6.00



MECHANICAL DIMENSIONS



MOX-SPI-8D-SERIES



ELECTRICAL SPECIFICATIONS

MoxiE Part Number	Inductance (μH)	Tolerance (±)	DCR (Ω) Max.	Rated Current (A)	Test Condition	Operating Temperature
MOX-SPI-8D28-1R0N	1.00	30%	0.011	6.50	100KHz/0.1V	-40°C to +105°C
MOX-SPI-8D28-2R5M	2.50	20%	0.016	4.50	100KHz/0.1V	-40°C to +105°C
MOX-SPI-8D28-3R3M	3.30	20%	0.018	4.00	100KHz/0.1V	-40°C to +105°C
MOX-SPI-8D28-4R7M	4.70	20%	0.025	3.40	100KHz/0.1V	-40°C to +105°C
MOX-SPI-8D28-7R3M	7.30	20%	0.039	2.80	100KHz/0.1V	-40°C to +105°C
MOX-SPI-8D28-100M	10.0	20%	0.047	2.50	100KHz/0.1V	-40°C to +105°C
MOX-SPI-8D28-150M	15.0	20%	0.069	1.90	100KHz/0.1V	-40°C to +105°C
MOX-SPI-8D28-220M	22.0	20%	0.099	1.60	100KHz/0.1V	-40°C to +105°C
MOX-SPI-8D28-330M	33.0	20%	0.156	1.30	100KHz/0.1V	-40°C to +105°C
MOX-SPI-8D28-470M	47.0	20%	0.195	1.15	100KHz/0.1V	-40°C to +105°C
MOX-SPI-8D28-680M	68.0	20%	0.285	0.92	100KHz/0.1V	-40°C to +105°C
MOX-SPI-8D28-101M	100.0	20%	0.098	0.75	100KHz/0.1V	-40°C to +105°C

MoxiE Part Number	Inductance (μH)	Tolerance (±)	DCR (Ω) Max.	Rated Current (A)	Test Condition	Operating Temperature
MOX-SPI-8D38-1R8M	1.80	20%	0.016	6.50	100KHz/0.1V	-40°C to +105°C
MOX-SPI-8D38-2R0M	2.00	20%	0.018	5.60	100KHz/0.1V	-40°C to +105°C
MOX-SPI-8D38-3R5M	3.50	20%	0.024	4.50	100KHz/0.1V	-40°C to +105°C
MOX-SPI-8D38-4R7M	4.70	20%	0.029	4.10	100KHz/0.1V	-40°C to +105°C
MOX-SPI-8D38-6R0M	6.00	20%	0.032	3.80	100KHz/0.1V	-40°C to +105°C
MOX-SPI-8D38-100M	10.0	20%	0.048	2.70	100KHz/0.1V	-40°C to +105°C
MOX-SPI-8D38-150M	15.0	20%	0.067	2.50	100KHz/0.1V	-40°C to +105°C
MOX-SPI-8D38-220M	22.0	20%	0.105	1.90	100KHz/0.1V	-40°C to +105°C
MOX-SPI-8D38-330M	33.0	20%	0.157	1.57	100KHz/0.1V	-40°C to +105°C
MOX-SPI-8D38-470M	47.0	20%	0.189	1.30	100KHz/0.1V	-40°C to +105°C
MOX-SPI-8D38-680M	68.0	20%	0.290	1.15	100KHz/0.1V	-40°C to +105°C
MOX-SPI-8D38-101M	100.0	20%	0.410	0.90	100KHz/0.1V	-40°C to +105°C

MoxiE Part Number	Inductance (μH)	Tolerance (±)	DCR (Ω) Max.	Rated Current (A)	Test Condition	Operating Temperature
MOX-SPI-8D43-2R0M	1.00	20%	0.014	7.50	100KHz/0.1V	-40°C to +105°C
MOX-SPI-8D43-3R8M	2.50	20%	0.019	6.00	100KHz/0.1V	-40°C to +105°C
MOX-SPI-8D43-4R7M	3.30	20%	0.022	5.80	100KHz/0.1V	-40°C to +105°C
MOX-SPI-8D43-6R8M	4.70	20%	0.025	4.60	100KHz/0.1V	-40°C to +105°C
MOX-SPI-8D43-100M	10.0	20%	0.036	4.30	100KHz/0.1V	-40°C to +105°C
MOX-SPI-8D43-150M	15.0	20%	0.053	3.00	100KHz/0.1V	-40°C to +105°C
MOX-SPI-8D43-220M	22.0	20%	0.075	2.80	100KHz/0.1V	-40°C to +105°C
MOX-SPI-8D43-330M	33.0	20%	0.125	2.40	100KHz/0.1V	-40°C to +105°C
MOX-SPI-8D43-470M	47.0	20%	0.150	2.00	100KHz/0.1V	-40°C to +105°C
MOX-SPI-8D43-680M	68.0	20%	0.240	1.60	100KHz/0.1V	-40°C to +105°C
MOX-SPI-8D43-101M	100.0	20%	0.360	1.40	100KHz/0.1V	-40°C to +105°C

- Rated current: the DC current at which the inductance decreases to 65% of its nominal value.
- MoxiE Inductor Corporation specifications are subject to change without notice.
- MoxiE Inductor Corporation custom designs available upon request.