

MOX-SPI-3D23H



MoxiE[®]
INDUCTOR CORPORATION

High Current Surface Mount Shielded Inductors

MoxiE's SPI-3D23H series of surface mount shielded power inductors are widely used in PDA's, notebooks, LCD televisions and digital cameras. MoxiE offers a ultra low profile magnetically shielded package that offer high inductance & high power.

Features:

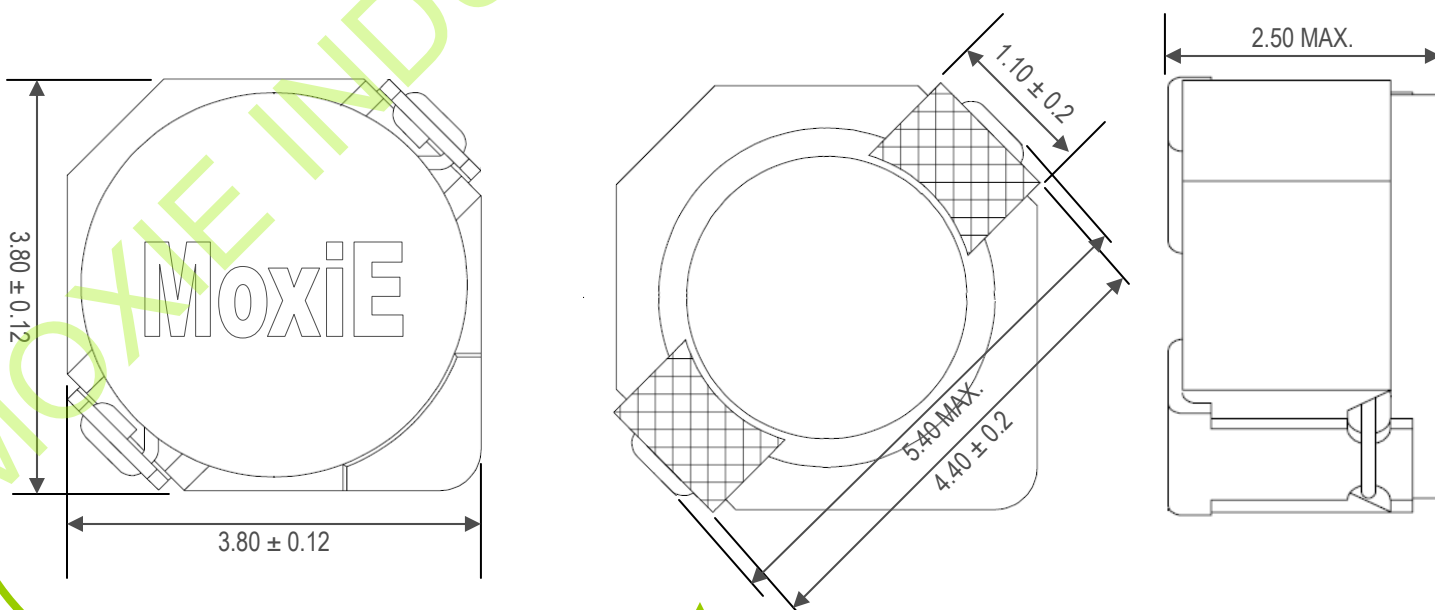
- High current.
- Operating temperature: -40°C to +85°C.
- Available tolerances: $\pm 20\%$ & $\pm 25\%$.
- RoHS compliant.
- Magnetically shielded applications.



NOTES

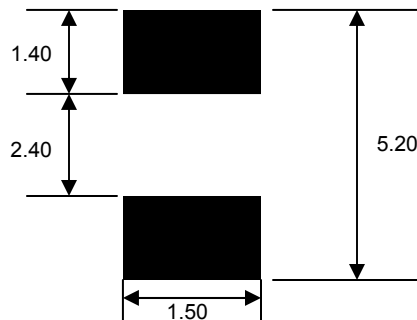
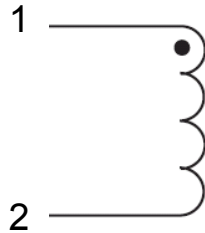


MECHANICAL DIMENSIONS





LANDING PATTERN & SCHEMATIC



ELECTRICAL SPECIFICATIONS

MoxiE Part Number	Inductance (μH) 100kHz/1V	DCR (mΩ) Max.	DCR (mΩ) Typ.	ISAT (Amps) @20°C	ISAT (Amps) @100°C	Temperature Rise Current (Amps)
MOX-SPI-3D23H-1R0N	1.20 ± 25%	25.0	19.5	2.90	2.20	3.25
MOX-SPI-3D23H-1R5N	1.50 ± 25%	28.0	23.5	2.35	1.75	3.00
MOX-SPI-3D23H-2R2N	2.20 ± 25%	38.2	30.5	1.85	1.40	2.75
MOX-SPI-3D23H-3R3N	3.30 ± 25%	56.2	43.0	1.50	1.20	2.50
MOX-SPI-3D23H-4R7N	4.70 ± 25%	68.4	54.0	1.35	1.05	1.95
MOX-SPI-3D23H-5R6N	5.60 ± 25%	74.5	59.0	1.15	0.85	1.85
MOX-SPI-3D23H-6R8N	6.80 ± 25%	86.7	71.0	1.05	0.78	1.75
MOX-SPI-3D23H-8RN	8.20 ± 25%	94.5	75.0	1.00	0.75	1.65
MOX-SPI-3D23H-100M	10.00 ± 20%	116.0	93.0	0.90	0.65	1.47
MOX-SPI-3D23H-150M	15.00 ± 20%	190.0	152.0	0.75	0.55	0.90
MOX-SPI-3D23H-220M	22.00 ± 20%	268.0	217.0	0.60	0.45	0.78
MOX-SPI-3D23H-330M	33.00 ± 20%	379.0	305.0	0.55	0.38	0.62
MOX-SPI-3D23H-470M	47.00 ± 20%	542.0	438.0	0.40	0.28	0.58



ENGINEERING NOTES

- Rated current: The rated current indicates the current when the inductance decreases to 65% over its nominal value or D.C. current when the temperature rises $\Delta t=40^{\circ}\text{C}$.
- MoxiE test instruments: HP4192A LF impedance analyzer. RDC: CH502BC Rated current: HP4284+HP42841A or CH1061+CH301A
- Magnetically shielded to prevent noise radiation.
- MoxiE Inductor Corporation specifications are subject to change without notice.