

MOX-SPI-2D09

Surface Mount Shielded Power Inductors

MoxiE's SPI-2D09 series of surface mount shielded power inductors are widely used in PDA's, notebooks, LCD televisions and digital cameras. MoxiE offers a ultra low profile magnetically shielded package that offer high inductance & high power.

Features:

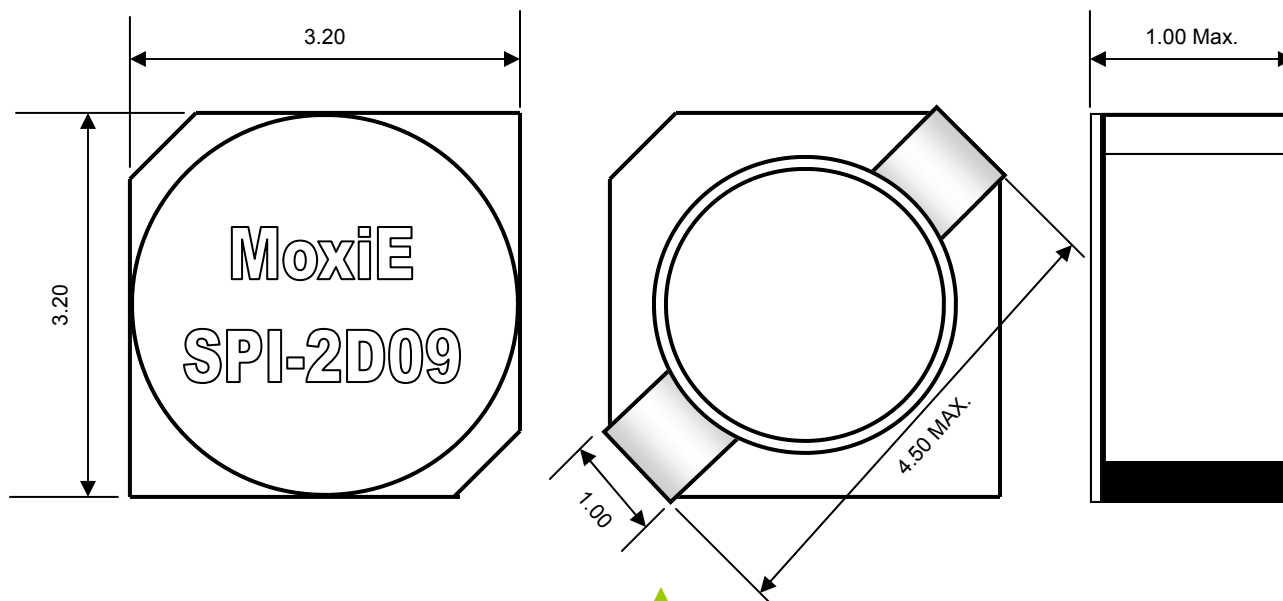
- Low Cost.
- Operating Temperature: -40°C to +85°C.
- Available Tolerances: $\pm 30\%$.
- RoHS Compliant.
- Magnetically Shielded Applications.



NOTES

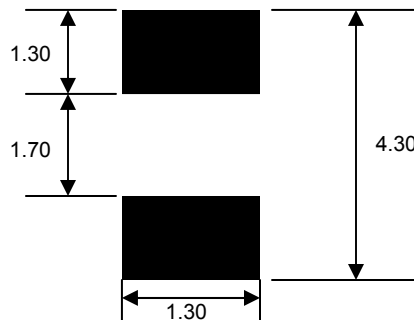
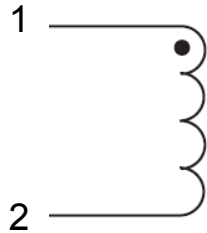


MECHANICAL DIMENSIONS





LANDING PATTERN & SCHEMATIC



ELECTRICAL SPECIFICATIONS

Part Number	Inductance (µH)	Tolerance (%)	RDC (mΩ) Maximum	Rated Current (A)	L Test Frequency
MOX-SPI-2D09-1R0T	1.20	30% (T)	97.5	0.80	100 kHz
MOX-SPI-2D09-1R5T	1.50	30% (T)	110	0.75	100 kHz
MOX-SPI-2D09-1R8T	1.80	30% (T)	131	0.66	100 kHz
MOX-SPI-2D09-2R2T	2.20	30% (T)	143	0.62	100 kHz
MOX-SPI-2D09-2R7T	2.70	30% (T)	150	0.55	100 kHz
MOX-SPI-2D09-3R3T	3.30	30% (T)	193	0.48	100 kHz
MOX-SPI-2D09-3R9T	3.90	30% (T)	225	0.46	100 kHz
MOX-SPI-2D09-4R7T	4.70	30% (T)	287	0.43	100 kHz
MOX-SPI-2D09-5R6T	5.60	30% (T)	325	0.39	100 kHz
MOX-SPI-2D09-6R8T	6.80	30% (T)	425	0.34	100 kHz
MOX-SPI-2D09-8R2T	8.20	30% (T)	475	0.32	100 kHz
MOX-SPI-2D09-100T	10.00	30% (T)	537	0.30	100 kHz



ENGINEERING NOTES

- Rated current: The rated current indicates the current when the inductance decreases to 65% over its nominal value or D.C. current when the temperature rises $\Delta t=40^{\circ}\text{C}$.
- MoxiE test instruments: HP4192A LF impedance analyzer. RDC: CH502BC Rated current: HP4284+HP42841A or CH1061+CH301A
- Magnetically shielded to prevent noise radiation.
- MoxiE Inductor Corporation specifications are subject to change without notice.