

MOX-SPI-0302



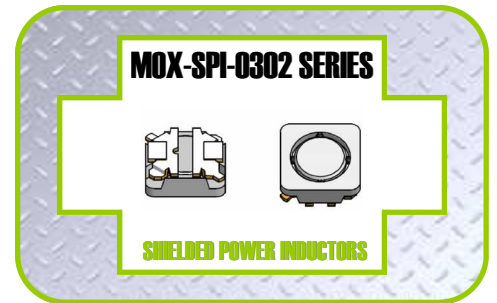
MoxiE
INDUCTOR CORPORATION

Surface Mount Shielded Power Inductors

MoxiE's SPI-0302 series of surface mount shielded are engineered for portable DC-DC converter lines & mobile phones. MoxiE offers an industry leading ultra low profile magnetically shielded package that offer high inductance & high power.

Features:

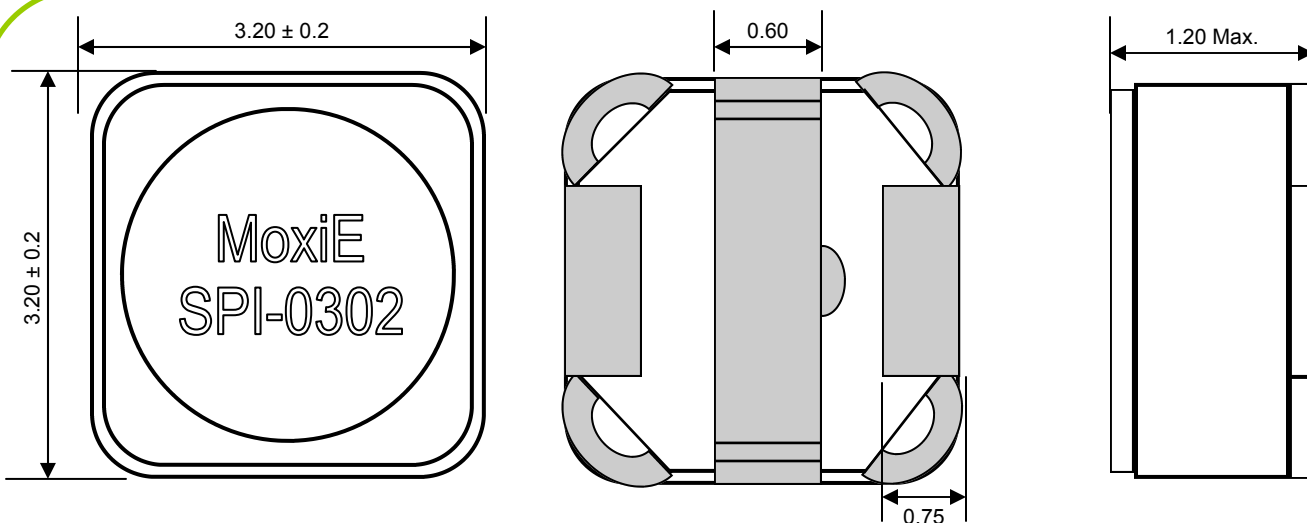
- Miniature size, Mounting area: 3.2 x 3.2 Height: 1.2mm max.
- Low Cost.
- Operating Temperature: -40°C to +105°C. (including self temperature rise)
- Available Tolerances: ±30%.
- RoHS Compliant.
- Magnetically Shielded Applications.



NOTES

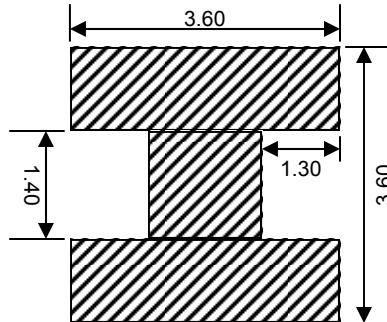


MECHANICAL DIMENSIONS





LANDING PATTERN



ELECTRICAL SPECIFICATIONS

MoxiE Part Number	Inductance (μH)	Tolerance (%)	DCR ($\text{m}\Omega$) Maximum	DCR ($\text{m}\Omega$) Typical	IDC1 (A)	IDC2 (A)
MOX-SPI-0302-1R2N	1.20	30% (N)	78	63	1.40	1.40
MOX-SPI-0302-1R5N	1.50	30% (N)	90	72	1.30	1.32
MOX-SPI-0302-2R2N	2.20	30% (N)	128	103	1.00	1.00
MOX-SPI-0302-3R3N	3.30	30% (N)	150	120	0.83	0.94
MOX-SPI-0302-3R9N	3.90	30% (N)	173	139	0.80	0.88
MOX-SPI-0302-4R7N	4.70	30% (N)	267	214	0.75	0.80
MOX-SPI-0302-5R6N	5.60	30% (N)	290	232	0.70	0.77
MOX-SPI-0302-6R8N	6.80	30% (N)	408	327	0.65	0.65
MOX-SPI-0302-8R2N	8.20	30% (N)	425	340	0.55	0.62
MOX-SPI-0302-100M	10.00	30% (N)	490	392	0.53	0.57

Rated Current:

IDC1: The value obtained DC current flows and the nominal value of inductance has fallen by 35%.

IDC2: The value obtained when current flows and the temperature has risen to 40°C.



MOX-SPI-0302 ENGINEERING NOTES

- Available Tolerances: N= $\pm 30\%$
- RoHS compliant
- Packaging: Tape & Reel.
- MoxiE Inductor Corporation specifications are subject to change without notice.