

MOX-SPIL-0301 SERIES

MoxiE[®]
INDUCTOR CORPORATION

Ultra Low Profile Power Inductors

- Industrial operating temperature: -40°C to +105°C.
- Inductance range: 1.00μH to 22.00μH
- Power ratings of up to 1.65 amps.
- Ultra low profile design.
- Powder coated shielded center.
- Ferrite core.
- RoHS compliant.
- MoxiE custom designs available.

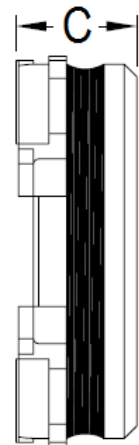
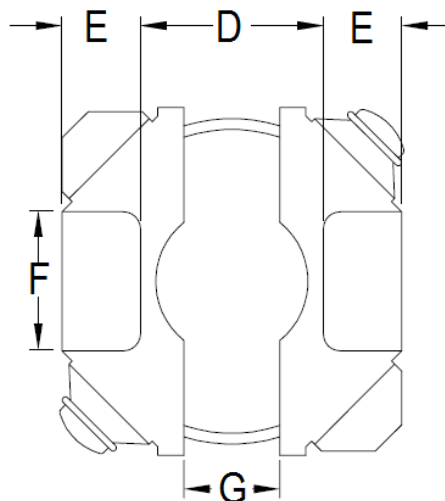
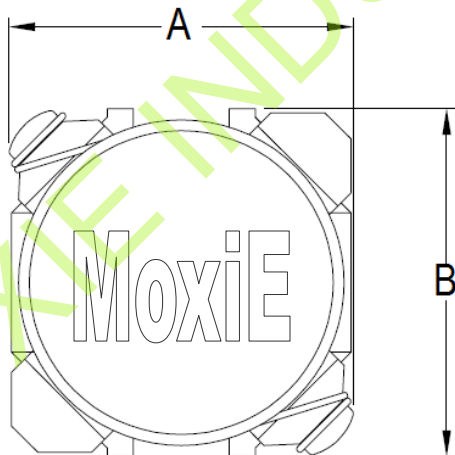


PART NUMBERS

A	B	C	D	E	F	G
2.90 ± 0.2	2.90 ± 0.2	1.00 MAX.	1.50 TYP.	0.70 TYP.	1.20 TYP.	0.70 TYP.



MECHANICAL DIMENSIONS



MOX-SPIL-0301 SERIES



ELECTRICAL SPECIFICATIONS

MoxiE Part Number	Inductance (μH)	Tolerance (%)	Test Frequency	RDC ±20% (mΩ)	IDC ¹ Max. (A)	IDC ² Max. (A)
MOX-SPIL-0301-1R0N	1.20	30%	0.1V/100KHz	71.0	1.40	1.65
MOX-SPIL-0301-1R5N	1.50	30%	0.1V/100KHz	85.0	1.20	1.50
MOX-SPIL-0301-2R2N	2.20	30%	0.1V/100KHz	118.0	1.00	1.30
MOX-SPIL-0301-3R3N	3.30	30%	0.1V/100KHz	165.0	0.85	1.05
MOX-SPIL-0301-4R7M	4.70	20%	0.1V/100KHz	245.0	0.70	0.90
MOX-SPIL-0301-5R6M	5.60	20%	0.1V/100KHz	290.0	0.65	0.80
MOX-SPIL-0301-6R8M	6.80	20%	0.1V/100KHz	345.0	0.60	0.73
MOX-SPIL-0301-100M	10.00	20%	0.1V/100KHz	480.0	0.50	0.62
MOX-SPIL-0301-150M	15.00	20%	0.1V/100KHz	675.0	0.40	0.55
MOX-SPIL-0301-220M	22.00	20%	0.1V/100KHz	980.0	0.35	0.42

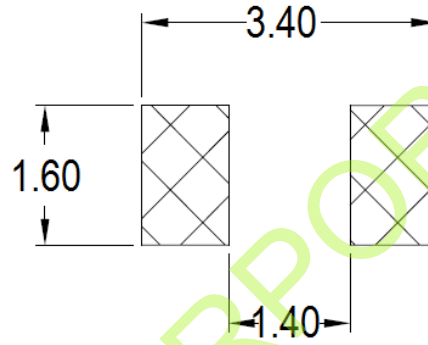
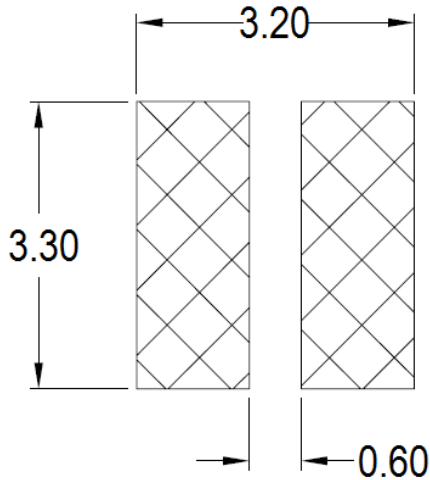
MoxiE Notes:

- IDC¹ is based on the inductance change ($\Delta L/L \leq 30\%$) at the ambient temperature of +25°C.
- IDC² is based on the temperature rise (ΔT : +40°C typical)
- Rated current: IDC¹ or IDC² whichever value is less.
- Storage temperature: -40°C to +105°C.
- Operating temperature: -40°C to +105°C.
- Resistance to soldering heat: +260°C for ten (10) seconds.
- Measuring Frequency (L) 100 kHz.
- Available Tolerances: K= ±10%, M= 20%
- MoxiE Inductor Corporation custom inductance values and tolerances available.
- MoxiE Inductor Corporation specifications are subject to change without notice.
- MoxiE Inductor Corporation custom designed products are subject to United States patent and or United States copyright protection(s).

MOX-SPIL-0301 SERIES



LANDING PATTERNS



PACKAGING

MOXIE PART NUMBER	PACKAGING	QUANTITY PER REEL
MOX-SPIL-0301 SERIES	TAPE & REEL	3000

