

MOX-SLI-5020

MoxiE[®]
INDUCTOR CORPORATION

Surface Mount Ultra Low Profile Shielded Inductors

MoxiE's MOX-SLI-5020 of surface mount shielded inductors are engineered for high current, low profile applications.

- Low cost.
- Magnetically shielded construction.
- Ultra low profile package.
- Operating temperature: -40°C to +105°C.
- Excellent solderability & resistance to soldering heat.
- RoHS compliant.

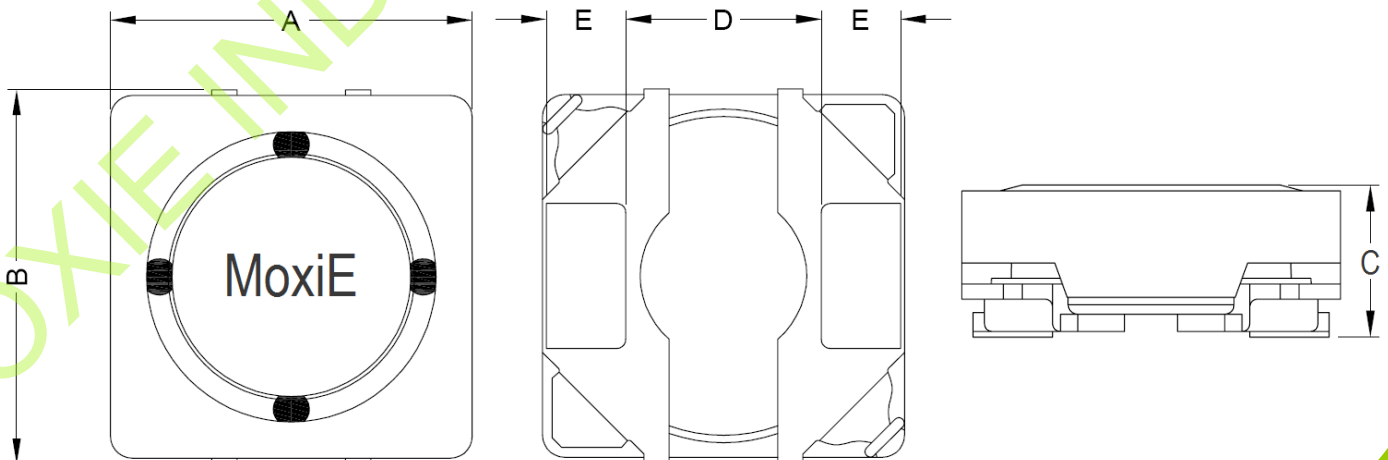


PART NUMBERS

MOXIE PART NUMBER	A	B	C (MAX.)	D (TYP.)	E (TYP.)
MOX-SLI-5020	5.00 ± 0.2	5.00 ± 0.3	2.00	2.70	1.10



MECHANICAL DIMENSIONS





ELECTRICAL SPECIFICATIONS

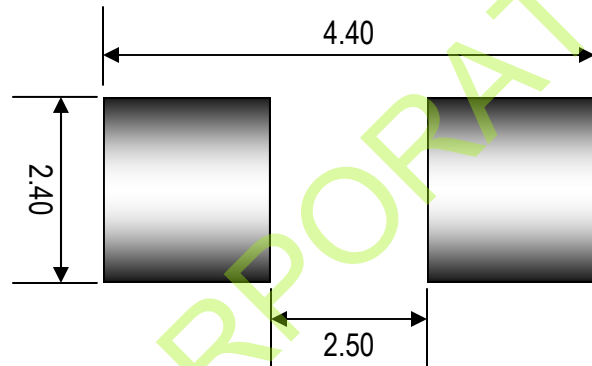
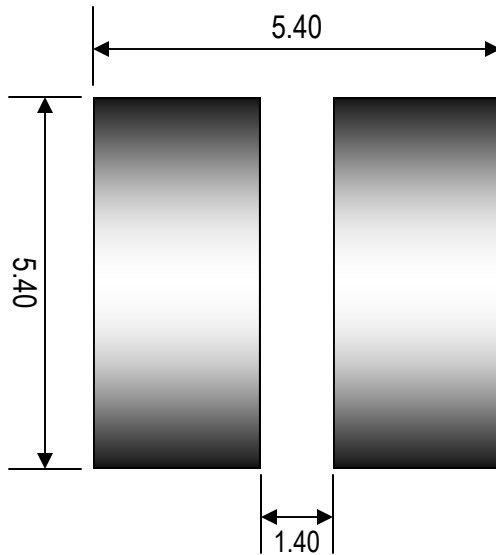
MoxiE Part Number	Inductance (μH)	Test Frequency	RDC ($\text{m}\Omega$) $\pm 20\%$	IDC1 (A)	IDC2 (A)
MOX-SLI-5020-1R0N	1.0 $\pm 30\%$	0.1V/100KHz	42	4.00	2.80
MOX-SLI-5020-1R5N	1.5 $\pm 30\%$	0.1V/100KHz	50	3.20	2.60
MOX-SLI-5020-2R7N	2.7 $\pm 30\%$	0.1V/100KHz	70	2.50	2.20
MOX-SLI-5020-3R3N	3.3 $\pm 30\%$	0.1V/100KHz	76	2.00	1.65
MOX-SLI-5020-4R7M	4.7 $\pm 20\%$	0.1V/100KHz	105	1.90	1.45
MOX-SLI-5020-6R8M	6.8 $\pm 20\%$	0.1V/100KHz	145	1.10	1.20
MOX-SLI-5020-100M	10 $\pm 20\%$	0.1V/100KHz	175	0.84	0.78
MOX-SLI-5020-150M	15 $\pm 20\%$	0.1V/100KHz	210	0.75	0.72
MOX-SLI-5020-220M	22 $\pm 20\%$	0.1V/100KHz	270	0.52	0.58
MOX-SLI-5020-330M	33 $\pm 20\%$	0.1V/100KHz	320	0.60	0.74
MOX-SLI-5020-470M	47 $\pm 20\%$	0.1V/100KHz	400	0.65	0.85

MOXIE ENGINEERING NOTES:

- IDC1: BASED ON INDUCTANCE CHANGE (AL/L0: <30%) @ AMBIENT TEMPERATURE OF +25°C.
- IDC2: BASED ON TEMPERATURE RISE (ΔT : +40°C TYPICAL)
- MOXIE INDUCTOR CORPORATION CUSTOM INDUCTANCE VALUES AVAILABLE.—CONTACT MOXIE FOR SPECIAL REQUESTS.
- OPERATING TEMPERATURE: -40°C TO +105°C. (INCLUDING SELF TEMPERATURE RISE.)
- RoHS COMPLIANT.
- PACKAGING: TAPE & REEL (3,000 PIECES PER REEL)
- MOXIE INDUCTOR CORPORATION SPECIFICATIONS ARE SUBJECT TO CHANGE WITHOUT NOTICE.
- MOXIE INDUCTOR CORPORATION CUSTOM DESIGNED PRODUCT(S) ARE SUBJECT TO UNITED STATES PATENT AND OR COPYRIGHT PROTECTION(S).



LANDING PATTERNS



MATERIALS

WIRE	CORE	TERMINAL CLIP	ADHESIVE	INK MARKING
POLYURETHANE ENAMELLED COPPER WIRE	HIGH CURRENT FERRITE	C5191	RoHS EPOXY	70000-00101

MOXIE ENGINEERING NOTES:

- IDC1: BASED ON INDUCTANCE CHANGE (AL/Lo: <30%) @ AMBIENT TEMPERATURE OF +25°C.
- IDC2: BASED ON TEMPERATURE RISE (ΔT : +40°C TYPICAL)
- MOXIE INDUCTOR CORPORATION CUSTOM INDUCTANCE VALUES AVAILABLE.—CONTACT MOXIE FOR SPECIAL REQUESTS.
- OPERATING TEMPERATURE: -40°C TO +105°C. (INCLUDING SELF TEMPERATURE RISE.)
- RoHS COMPLIANT.
- PACKAGING: TAPE & REEL (3,000 PIECES PER REEL)
- MOXIE INDUCTOR CORPORATION SPECIFICATIONS ARE SUBJECT TO CHANGE WITHOUT NOTICE.
- MOXIE INDUCTOR CORPORATION CUSTOM DESIGNED PRODUCT(S) ARE SUBJECT TO UNITED STATES PATENT AND OR COPYRIGHT PROTECTION(S).