

MOX-SLI-4018

MoxiE[®]
INDUCTOR CORPORATION

Surface Mount Ultra Low Profile Shielded Inductors

MoxiE's MOX-SLI-4018 of surface mount shielded inductors are engineered for high current, low profile applications.

- Low cost.
- Magnetically shielded construction.
- Ultra low profile package.
- Operating temperature: -40°C to +105°C.
- Excellent solderability & resistance to soldering heat.
- RoHS compliant.

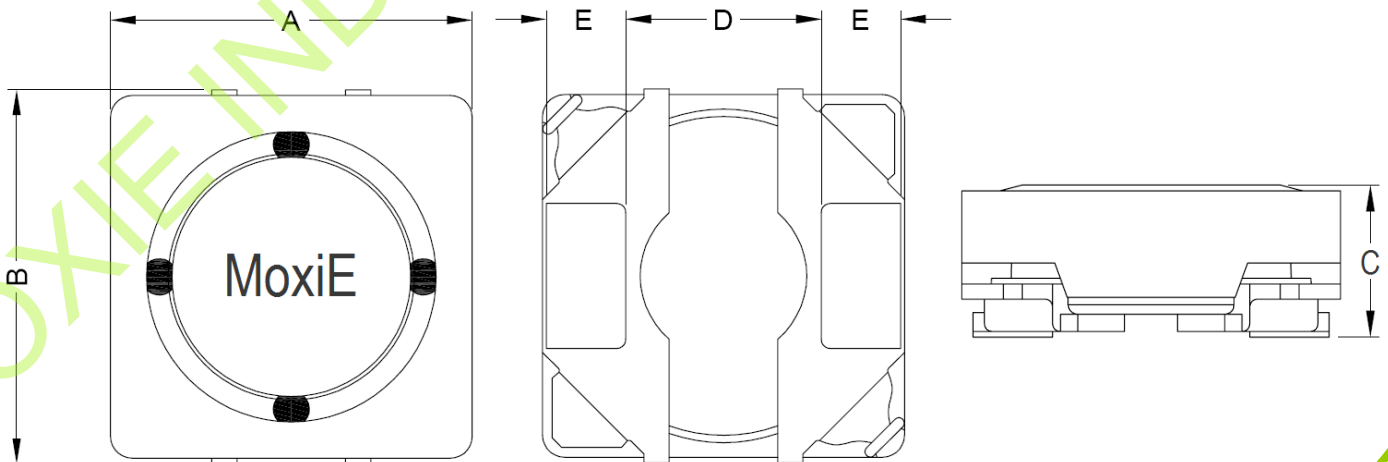


PART NUMBERS

MOXIE PART NUMBER	A	B	C (MAX.)	D (TYP.)	E (TYP.)
MOX-SLI-4018	4.00 ± 0.2	4.00 ± 0.3	1.80	2.10	0.90



MECHANICAL DIMENSIONS





ELECTRICAL SPECIFICATIONS

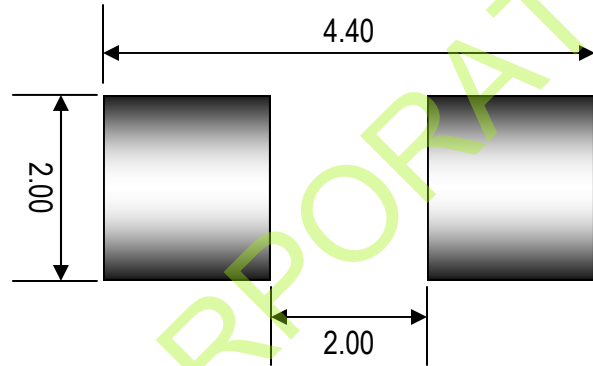
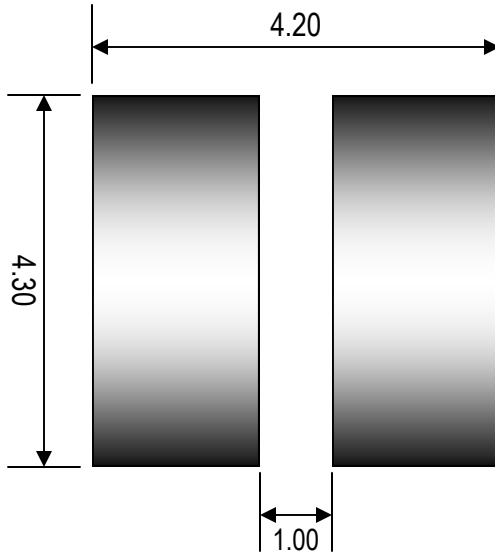
MoxiE Part Number	Inductance (μH)	Test Frequency	RDC (mΩ) ±20%	IDC1 (A)	IDC2 (A)
MOX-SLI-4018-1R0N	1.0±30%	0.1V/100KHz	38	2.90	2.60
MOX-SLI-4018-1R2N	1.2±30%	0.1V/100KHz	43	2.50	2.30
MOX-SLI-4018-1R5N	1.5±30%	0.1V/100KHz	47	2.20	2.10
MOX-SLI-4018-1R8N	1.8±30%	0.1V/100KHz	54	2.00	1.90
MOX-SLI-4018-2R2N	2.2±30%	0.1V/100KHz	56	1.95	1.92
MOX-SLI-4018-3R3N	3.3±30%	0.1V/100KHz	71	1.60	1.70
MOX-SLI-4018-3R9N	3.9±30%	0.1V/100KHz	78	1.50	1.60
MOX-SLI-4018-4R7M	4.7±20%	0.1V/100KHz	95	1.40	1.48
MOX-SLI-4018-5R6M	5.6±20%	0.1V/100KHz	105	1.30	1.35
MOX-SLI-4018-6R8M	6.8±20%	0.1V/100KHz	125	1.10	1.30
MOX-SLI-4018-8R2M	8.2±20%	0.1V/100KHz	135	1.00	1.20
MOX-SLI-4018-100M	10±20%	0.1V/100KHz	145	0.95	1.10
MOX-SLI-4018-120M	12±20%	0.1V/100KHz	210	0.90	1.05
MOX-SLI-4018-150M	15±20%	0.1V/100KHz	230	0.80	1.00
MOX-SLI-4018-180M	18±20%	0.1V/100KHz	250	0.75	0.95
MOX-SLI-4018-220M	22±20%	0.1V/100KHz	360	0.70	0.85
MOX-SLI-4018-270M	27±20%	0.1V/100KHz	410	0.60	0.80
MOX-SLI-4018-330M	33±20%	0.1V/100KHz	470	0.50	0.70
MOX-SLI-4018-470M	47±20%	0.1V/100KHz	610	0.45	0.60

MOXIE ENGINEERING NOTES:

- IDC1: BASED ON INDUCTANCE CHANGE (ΔL/L₀: <30%) @ AMBIENT TEMPERATURE OF +25°C.
- IDC2: BASED ON TEMPERATURE RISE (ΔT: +40°C TYPICAL)
- MOXIE INDUCTOR CORPORATION CUSTOM INDUCTANCE VALUES AVAILABLE.—CONTACT MOXIE FOR SPECIAL REQUESTS.
- OPERATING TEMPERATURE: -40°C TO +105°C. (INCLUDING SELF TEMPERATURE RISE.)
- RoHS COMPLIANT.
- PACKAGING: TAPE & REEL (3,000 PIECES PER REEL)
- MOXIE INDUCTOR CORPORATION SPECIFICATIONS ARE SUBJECT TO CHANGE WITHOUT NOTICE.
- MOXIE INDUCTOR CORPORATION CUSTOM DESIGNED PRODUCT(S) ARE SUBJECT TO UNITED STATES PATENT AND OR COPYRIGHT PROTECTION(S).



LANDING PATTERNS



MATERIALS

WIRE	CORE	TERMINAL CLIP	ADHESIVE	INK MARKING
POLYURETHANE ENAMELLED COPPER WIRE	HIGH CURRENT FERRITE	C5191	RoHS EPOXY	70000-00101

MOXIE ENGINEERING NOTES:

- IDC1: BASED ON INDUCTANCE CHANGE (AL/Lo: <30%) @ AMBIENT TEMPERATURE OF +25°C.
- IDC2: BASED ON TEMPERATURE RISE (ΔT : +40°C TYPICAL)
- MOXIE INDUCTOR CORPORATION CUSTOM INDUCTANCE VALUES AVAILABLE.—CONTACT MOXIE FOR SPECIAL REQUESTS.
- OPERATING TEMPERATURE: -40°C TO +105°C. (INCLUDING SELF TEMPERATURE RISE.)
- RoHS COMPLIANT.
- PACKAGING: TAPE & REEL (3,000 PIECES PER REEL)
- MOXIE INDUCTOR CORPORATION SPECIFICATIONS ARE SUBJECT TO CHANGE WITHOUT NOTICE.
- MOXIE INDUCTOR CORPORATION CUSTOM DESIGNED PRODUCT(S) ARE SUBJECT TO UNITED STATES PATENT AND OR COPYRIGHT PROTECTION(S).