



TAI-SAW TECHNOLOGY CO., LTD.

No. 3, Industrial 2nd Rd., Ping-Chen Industrial District,
Taoyuan, 324, Taiwan, R.O.C.

TEL: 886-3-4690038 FAX: 886-3-4697532

E-mail: tstsales@mail.taisaw.com Web: www.taisaw.com

Approval Sheet For Product Specification

Issued Date: Aug, 30, 2007

Product Name: SAW Filter 1486.5 MHz SMD 3.0X3.0 mm

TST Parts No.: TA0720A

Customer Parts No.: _____

Company: _____
Division: _____
Approved by : _____
Date: _____

Checked by: _____ Bob Chau

Approval by: _____ Francis Chen

Date: _____ 8, 30, 2007



TAI-SAW TECHNOLOGY CO., LTD.

No. 3, Industrial 2nd Rd., Ping-Chen Industrial District,
Taoyuan, 324, Taiwan, R.O.C.

TEL: 886-3-4690038 FAX: 886-3-4697532

E-mail: tstsales@mail.taisaw.com Web: www.taisaw.com

SAW Filter 1486.5 MHz

MODEL NO.:TA0720A

REV. NO.:2

A. MAXIMUM RATING:

1. Input Power Level: 10 dBm
2. DC Voltage : 3V
3. Operating Temperature: 0°C to +50°C
4. Storage Temperature: -40°C to +85°C

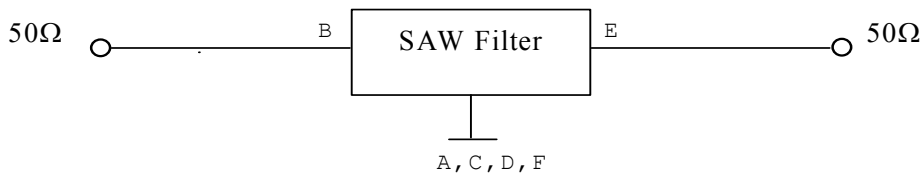
RoHS Compliant
Lead free
Lead-free soldering

B. ELECTRICAL CHARACTERISTICS:

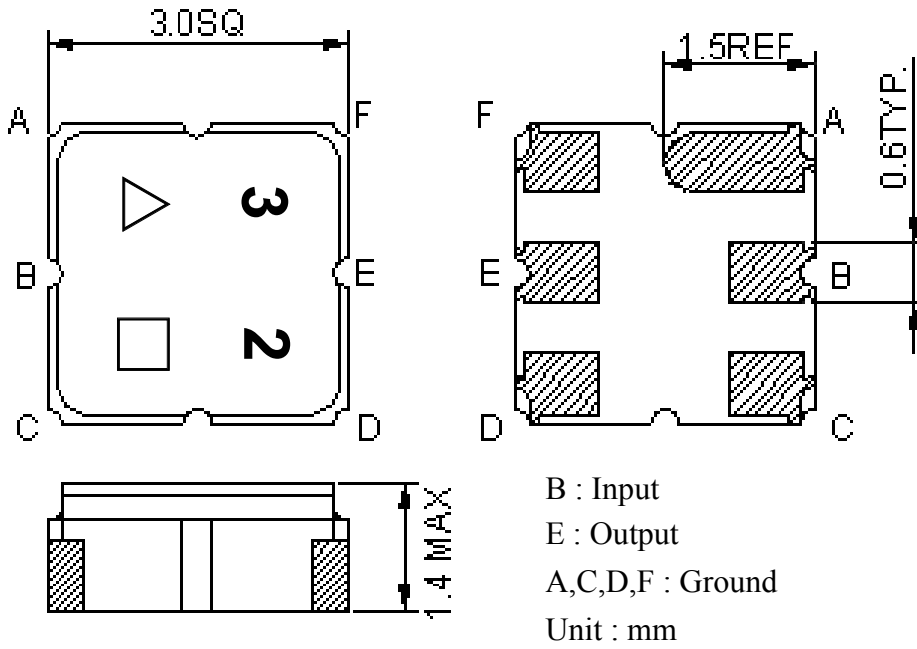
Item	Unit	Min.	Type.	Max.	Note
Center Frequency Fc	MHz	-	1486.5	-	-
Insertion Loss (1484 ~ 1489 MHz) IL	dB	-	3	4	-
Amplitude Ripple (1484 ~ 1489 MHz)	dB	-	0.2	1	-
VSWR (1484 ~ 1489 MHz)		-	1.6	2	-
Attenuation (Reference level from 0 dB)					
D.C. ~ 100 MHz	dB	60	69	-	-
1395 ~ 1400 MHz	dB	20	48	-	-
1573 ~ 1578 MHz	dB	20	52	-	-
2881.5 ~ 2886.5 MHz	dB	40	43	-	-
3059.5 ~ 3064.5 MHz	dB	40	42	-	-

C. MEASUREMENT CIRCUIT:

HP Network analyzer



D.OUTLINE DRAWING:



△ : Year Code (2006->6, ..., 2009->9)

□ : Date Code (Follow the table from planner each year)

Note :

The base material is ceramic with Au over Ni plating.

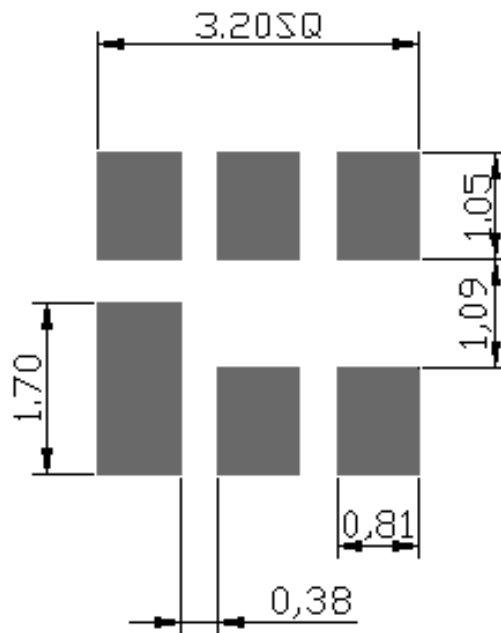
The plating thicknesses are:

Electro Ni : 1.27~8.89 μ m.

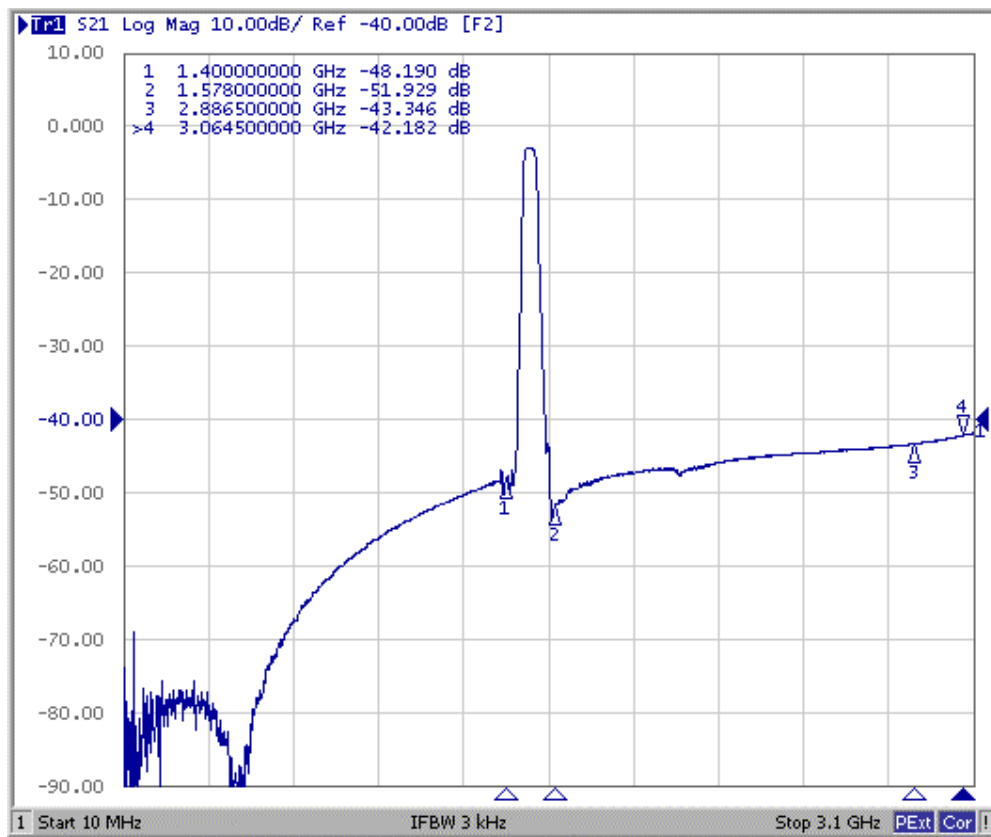
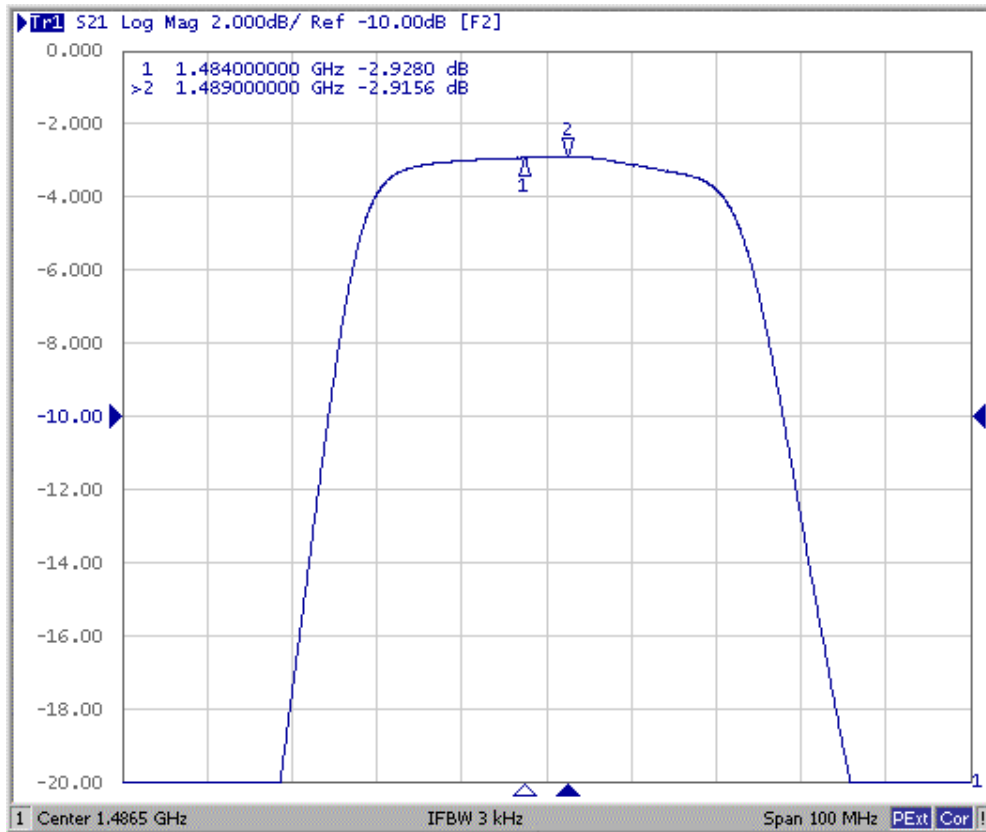
Electro Au : 0.3~1.0 μ m (solder pads only).

0.3 μ m Min. (Others)

E. PCB Footprint:

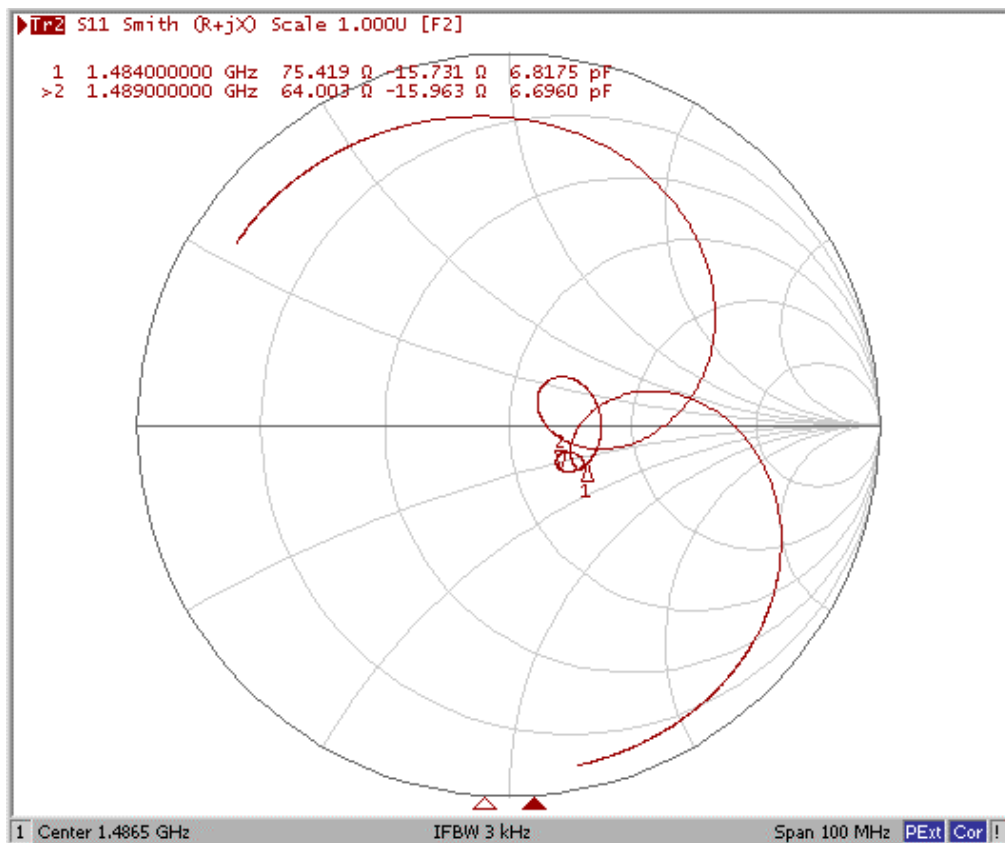
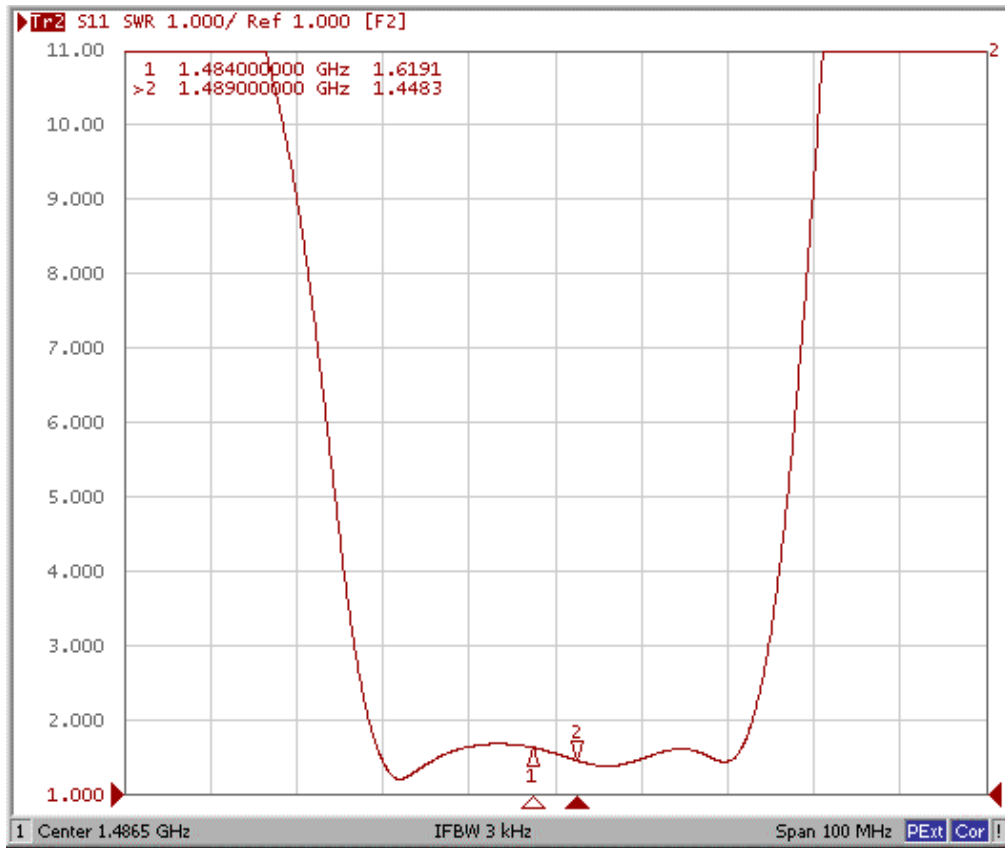


F. Frequency Characteristics :

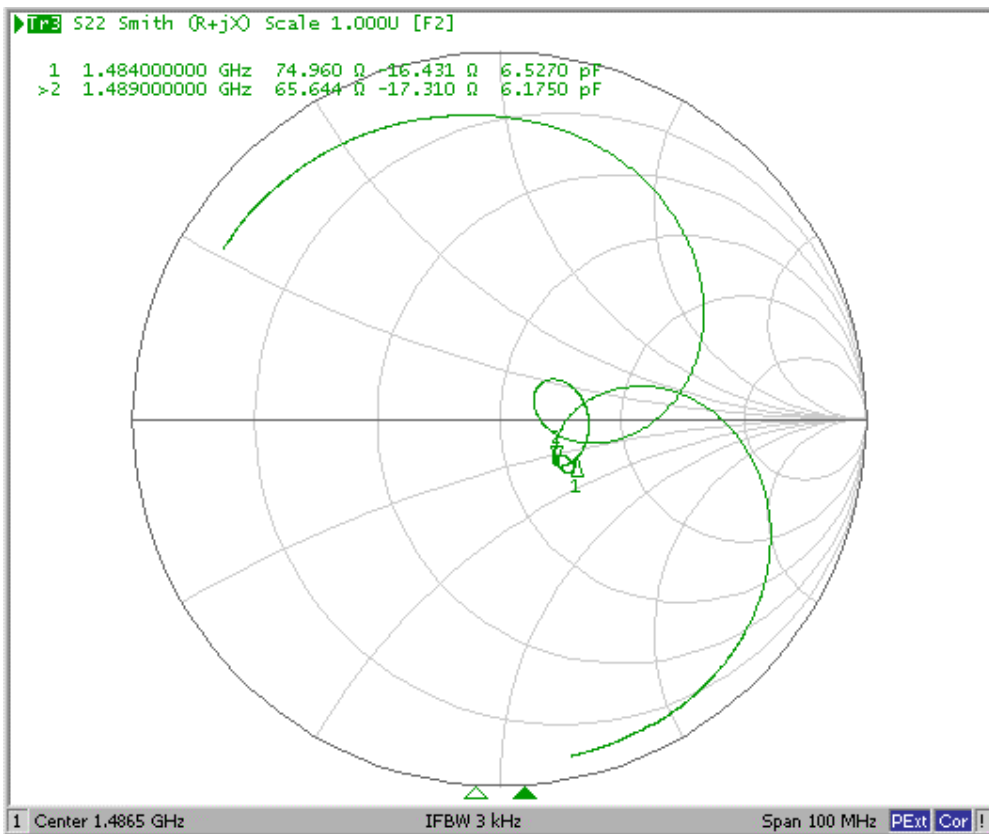
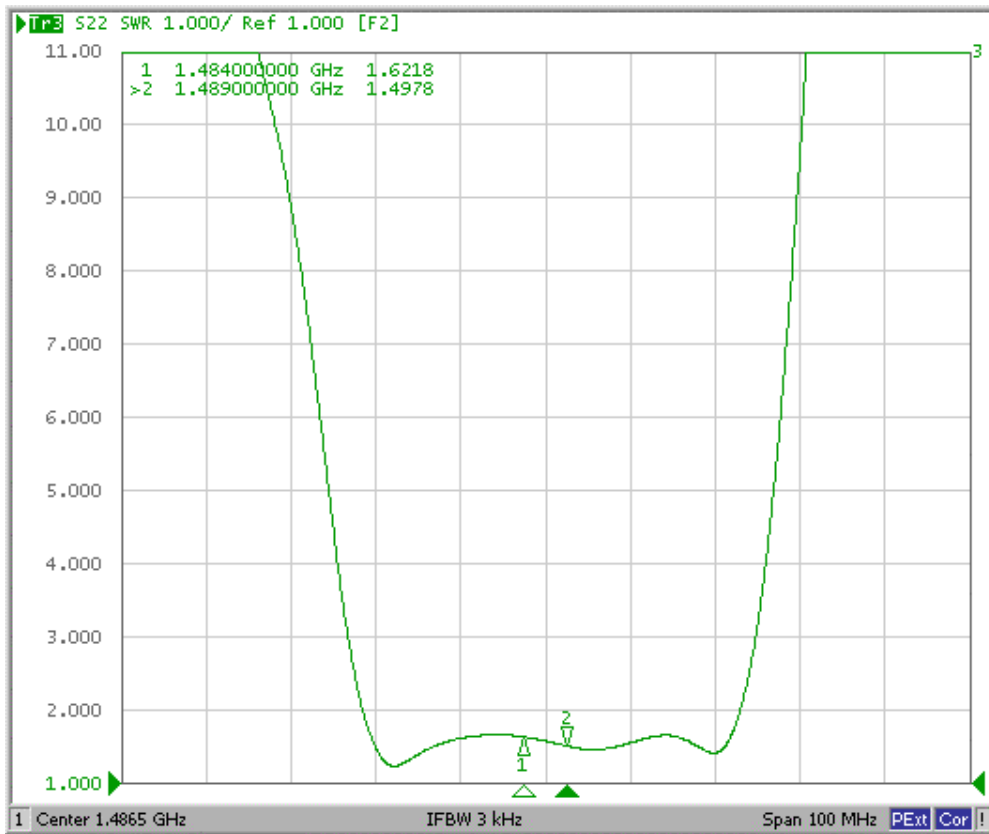


Reflection Functions :

S11



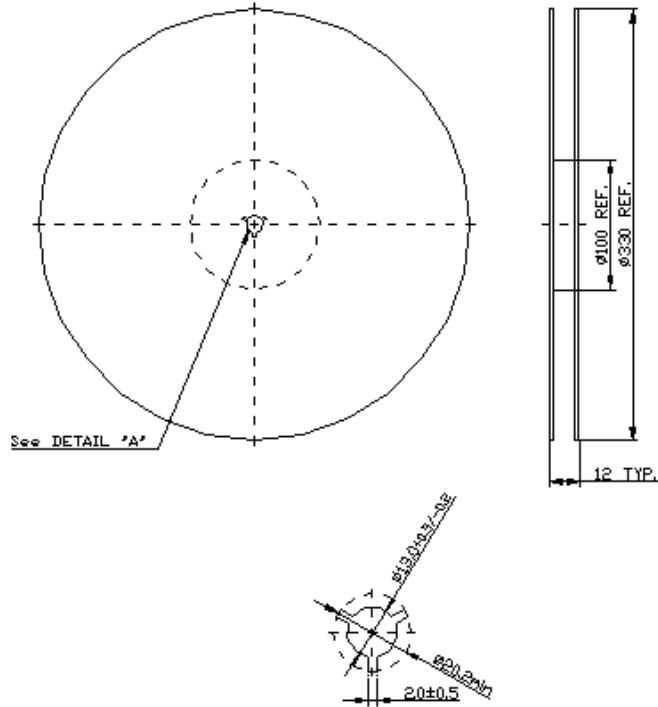
S22



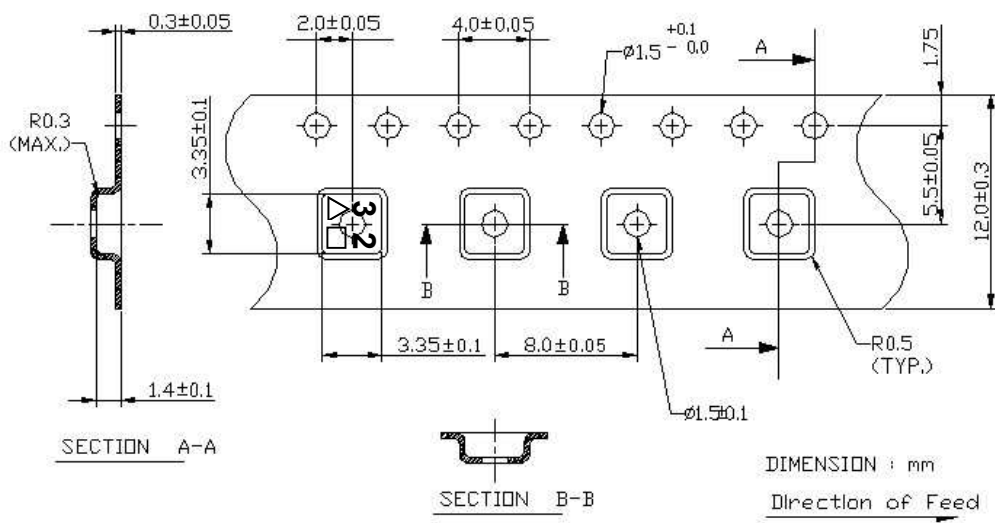
G. PACKING:

1. REEL DIMENSION

(Reel Count : 7"=1000 ; 13"=3000)



2.TAPE DIMENSION



H. RECOMMENDED REFLOW PROFILE :

