

# Low Pressure Sodium Lampholder



## 5110 Series

### Specifications

**Rating:** 660 Watts, 1000 V Rating (not for home use)

**Listing:** UL File No. E-13408C; CSA File No. LR95423

**Mounting:** Screw-on

### Materials:

**Housing:** Black, high temperature, flame retardant thermoset

**Contacts:** Electro-tinned copper alloy, self wiping

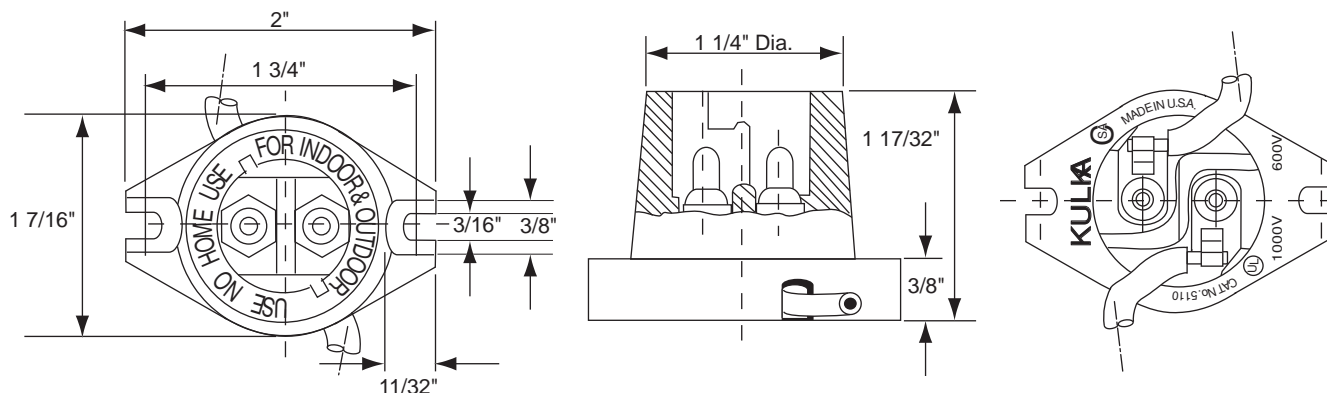
**Termination:** Lead wires 9" (228.6 mm) long, 18 AWG stranded and tinned lead wires, 1/2 stripped, standard. Wire rated: AWM 1000 V, 90°C (194°F).



NRTL/C



5110.B  
Top View



## Kulka® 5110.B Series - Not for Home Use

Part No.	Description
5110.B	Low pressure sodium lampholder, 9" leads wires
5110.B-12	Low pressure sodium lampholder, 12" leads wires
5110.B-20	Low pressure sodium lampholder, 20" leads wires

Packed 300/ box. **Special lead wire lengths available upon request, consult sales department.**