

Starter Sockets For Preheat Lamps



597 Series

597 Series



Specifications

Rating: 660 Watts, 250 V

Listing: UL File No. E-18121; CSA File No. LR95423.

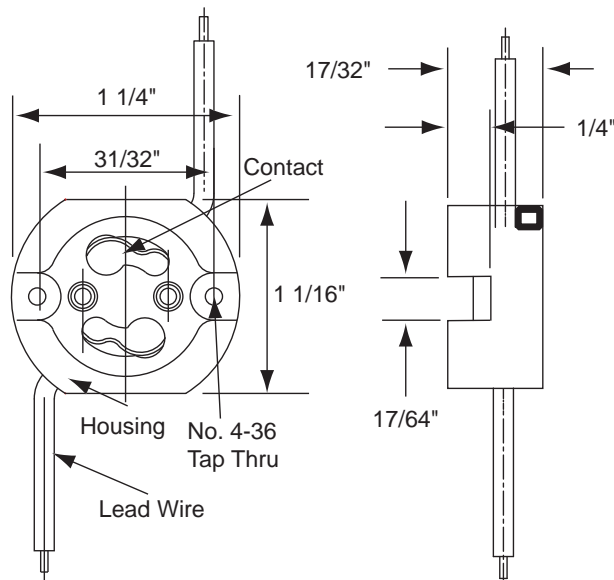
Materials

Housing: Black phenolic

Contacts: copper alloy.

Termination: Lead wires 9" (228.6 mm) long, 18 AWG stranded and tinned lead wires, 1/2" stripped, standard. Wire rated: AWM 600 V, 105°C (221°F).

Brackets: cold roll steel, zinc plated.



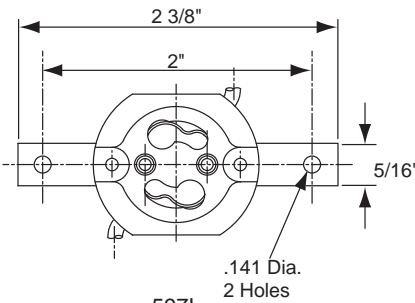
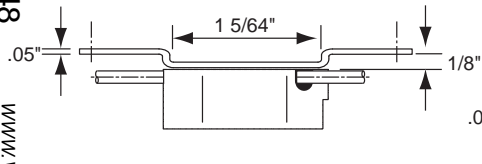
Kulka® 597 Series

Part No.	Description
597.B	Butt-on mount, #4-36 Tapped Thread. #4-36 x 3/8" screws (supplied in bulk) with 9" leads
597.B-4	Butt-on mount, #4-36 Tapped Thread. #4-36 x 3/8" screws (supplied in bulk) with 4" leads
597.BCL	Butt-on mount, .125" Dia. Clearance Hole with 9" leads
597.BMCL	Butt-on mount, .125" Dia. Clearance Hole with 9" leads and 7/16" housing thickness
597.BMCL-23"	Butt-on mount, .125" Dia. Clearance Hole with 7/16" housing thickness, with 23" leads
597.BMCL-24"x9"	Butt-on mount, .125" Dia. Clearance Hole with 7/16" housing thickness, with 24" & 9" leads
597.BL	Bracket mount #4-36 Tapped Thru, with L bracket #4-36 x 3/8" screws (supplied in bulk)
597.BSAX	Bracket mount with SAX bracket and 9" leads
597.BSCL	Bracket mount with SCL bracket and 9" leads
597.BSCLS-12"	Bracket mount with SCLS bracket and 12" leads
597.BSCLS-27"	Bracket mount with SCLS bracket and 27" leads
597BSCLX	Bracket mount with SCLX bracket and 9" leads
597BSX	Bracket mount with SX bracket and 9" leads
597.BS-4"	Bracket mount with S bracket and 4" leads
597.BSC	Spring Clip mount
597.BSC-4.5"	Spring Clip mount with 4.5" leads

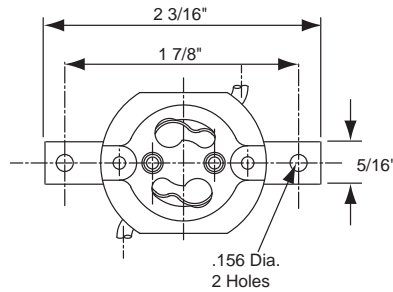
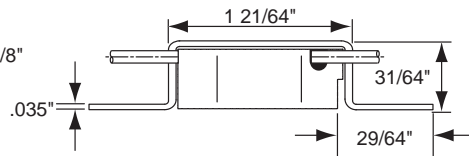
400/ box. Part No.:8043.612.002: 4/36 x 3/8" mounting screws supplied in bulk.

Special lead wire lengths available upon request, consult sales department.

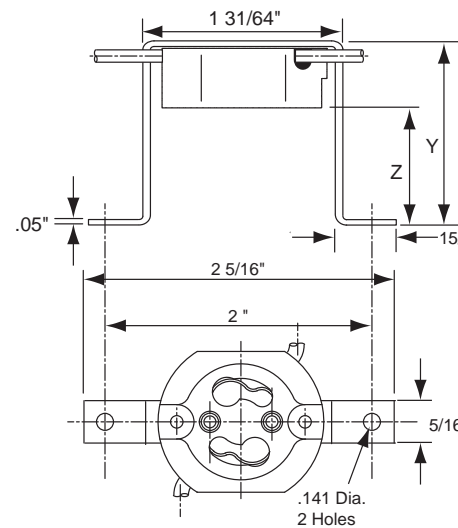
(If not specified the lead color shall match the housing color.) Custom harness assemblies are available.



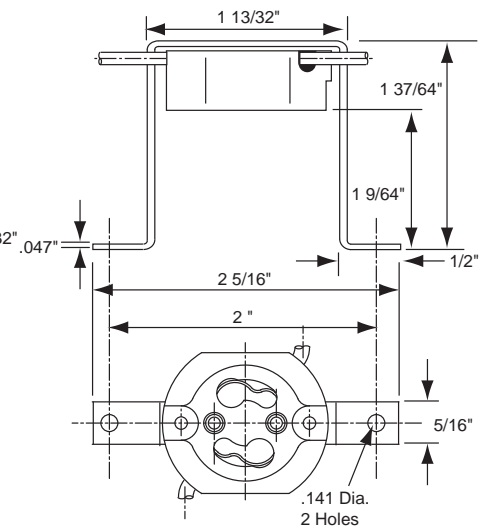
597L
Figure 1



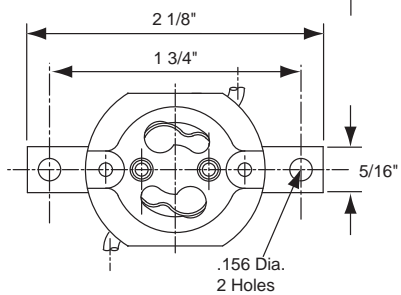
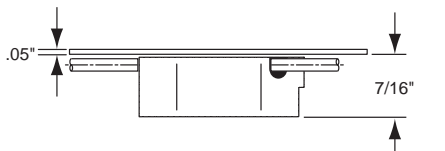
597SXA
Figure 2



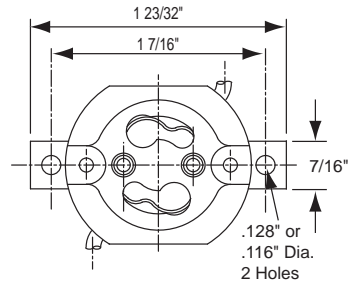
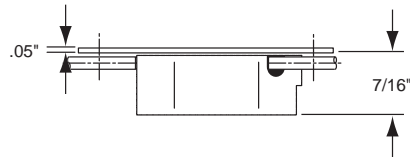
597SCL: Y = 1-11/32", Z = 55/64"
597SCLS: Y = 1-7/64", Z = 5/8"
Figure 3



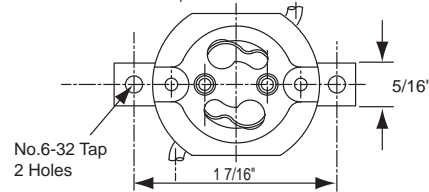
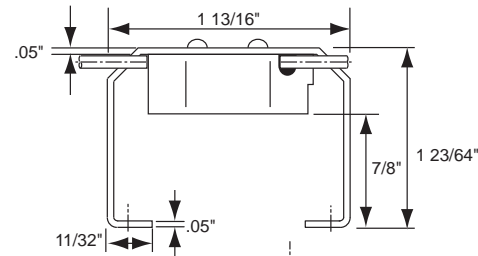
597SCL:X
Figure 4



597SX
Figure 5



597S
Figure 6



597SC
Figure 7