

Recessed Double Contact Lampholders

For 800 and 1500mA Lamps

530.1K™ & 530.2K™ Series Snap-In Lampholders



Specifications

Rating: 660 Watts, dual rated 600V or 1000V.

Listing: UL File No. E-13408; CSA File No. LR95423.

UL listed and CSA certified for outdoor use in enclosed signs and fixtures.

Mounting: Snap-In

Materials

Housing: White urea, (Black urea for horizontal plunger contacts)

Contacts: Horizontal or Vertical silver plated phosphor bronze.

Gasket: Blue silicone treated neoprene "O" ring

Termination: Lead wires 9" (228.6 mm) long, 18 AWG stranded and tinned lead wires, 1/2" stripped, standard. Wire rated: AWM 1000V, 90°C (194°F).



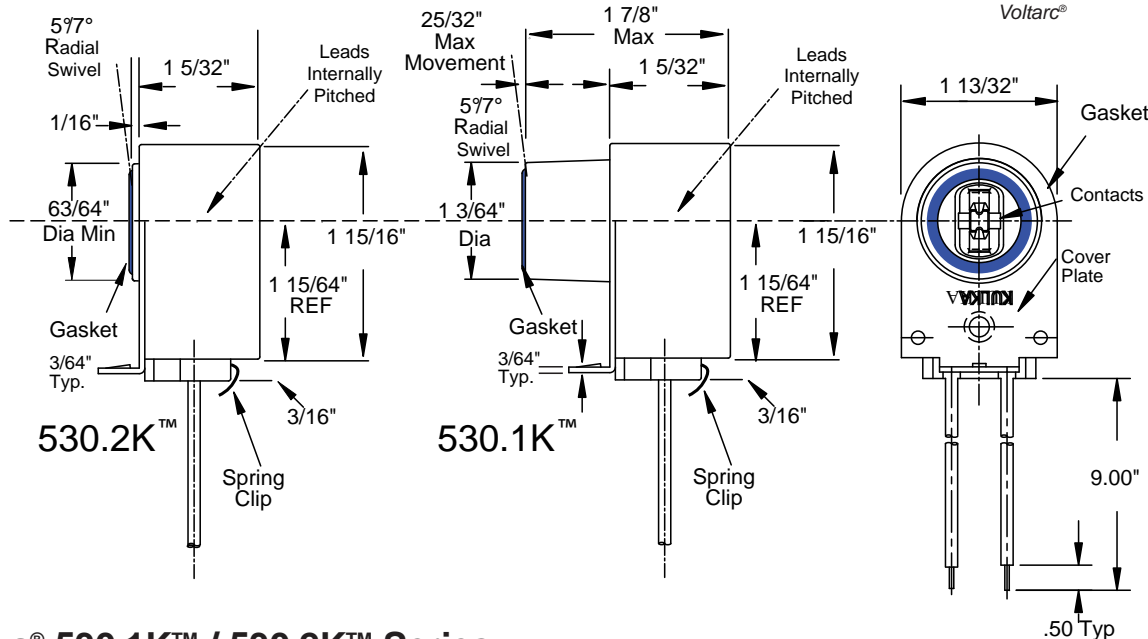
530.2K™
Stationary



530.1K™
Spring Loaded

Stationary

Spring Loaded



The Blue "O" Ring
is a registered
trademark of
Voltarc®

Kulka® 530.1K™ / 530.2K™ Series

Spring Part No.	Stationary Part No.
-----------------	---------------------

530.1K	530.2K	Vertical contacts, leads, pitch and gasket, for mounting on 0.36" to 0.48" panel.
530.5K	530.6K	Horizontal contacts, leads, pitch and gasket, for mounting on 0.36" to 0.48" panel.

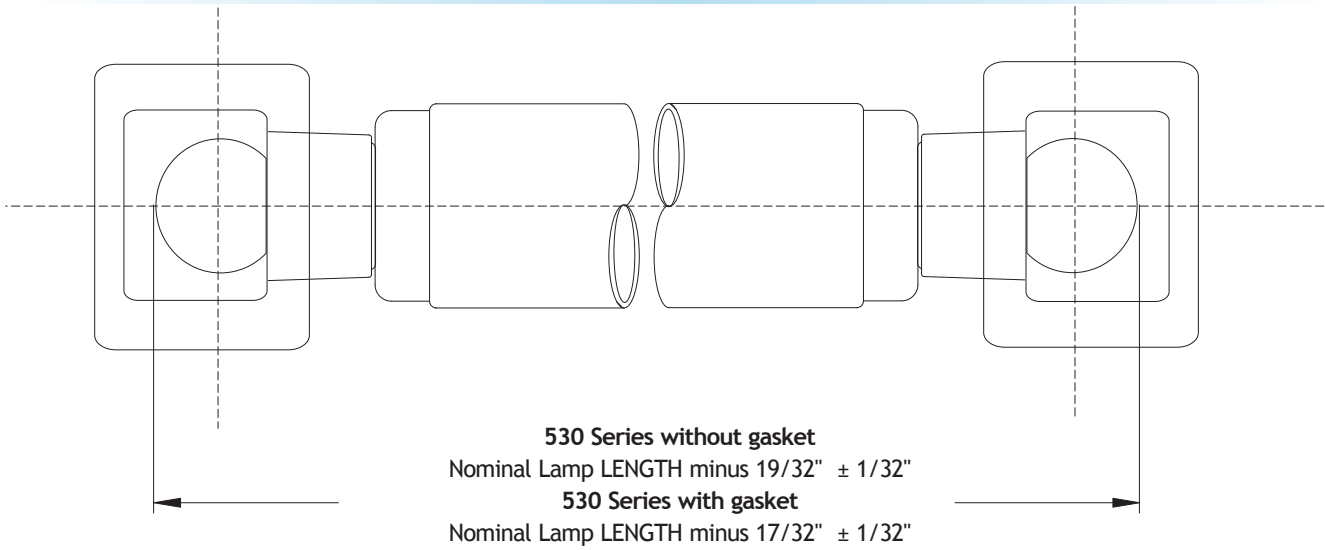
Special Configurations

530.18K	530.28K	Vertical contacts, leads, pitch and gasket, for mounting on 0.125" panel.
530.58K	530.68K	Horizontal contacts, leads, pitch and gasket, for mounting on 0.125" panel.

Packed 200/ box. **Special lead wire lengths available upon request, consult sales department.**

The Blue "O" Ring is a registered trademark of Voltarc®

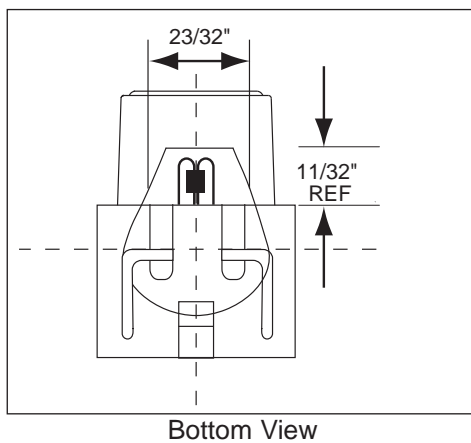
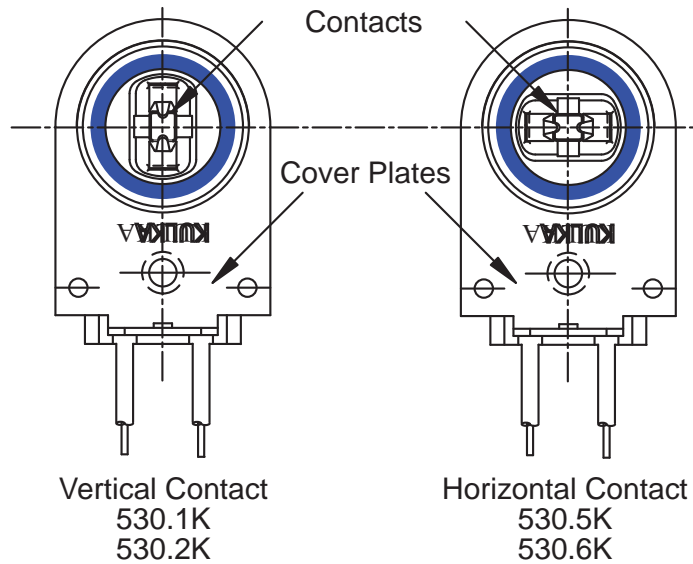
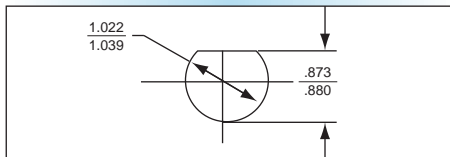
Panel to Panel Spacing



Mounting Panel Cutout

Recommended Panel Thickness
No. 20 - No. 18 gauge STD
(.036-.048")

530.18K or 530.28K is .125" panel thickness



530.6K
Horizontal Contacts
Stationary