

# Slimline Lampholders

## For 430mA Lamps



### 584.GDF™ & 585.GDF™ Series Lampholders



#### Specifications

##### Rating:

584.GDF™, 660 Watts, 600 V  
 585.GDF™, 660 Watts, 1000 V  
 for non-home use

**Listing:** UL File No. E-13408; CSA File No. LR95423. UL listed and CSA certified for outdoor use in enclosed signs and fixtures.

**Mounting:** Snap-In, Dead Front Design

##### Materials

**Housing:** White urea  
**Contacts:** Silver plated phosphor bronze, self wiping.  
**Mounting Clips:** Fabulex™ Thermoplastic.  
**Gasket:** Blue silicone treated neoprene "O" ring

**Termination:** Lead wires 9" (228.6 mm) long, 18 AWG stranded and tinned lead wires, 1/2" stripped, standard.  
 Wire rated: AWM 600 V, 105°C (221°F).



The Blue "O" Ring is a registered trademark of Voltarc®.

**584.GDF™  
Stationary**

**585.GDF™  
Spring Loaded**

#### 582B Series Socket Sentry™ Protective Lamp Base for Lampholder

**Flammability Rating:** UL-94B  
 The Socket Sentry™ is intended to cover, not seal, the lampholder. The Socket Sentry™ should be replaced when relamping.

Part No.	Material	Service Temp.
582.BB	Black Neoprene	-65°F to +225°F
582.BS	Translucent Silicone	-180°F to +525°F



Pitch to insulate electrical contacts (588.GDF™ back shown)

Socket Sentry™ is a trademark of Voltarc. U.S. Patent No. 5,069,633.

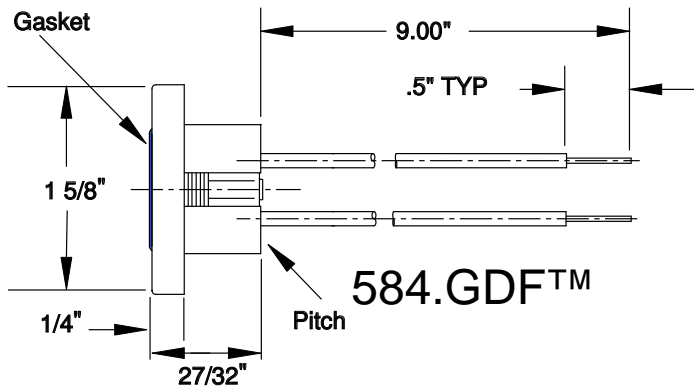
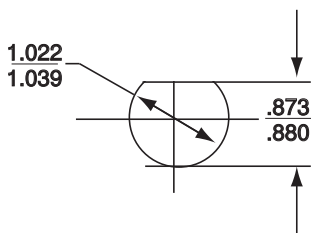
### Kulka® 584.GDF™ / 585.GDF™ Series

Stationary Part No.	Spring Part No.	
584.GDF	585.GDF	Snap-in mounting, 9" long leadwires, gasket and pitch.
584.PDF	585.PDF	Snap-in mounting, 12" long leadwires, pitch only.

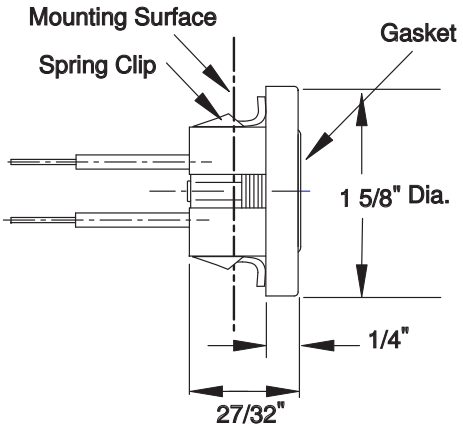
584.GDF packed 250/ box. 585.GDF packed 150/ box. **Special lead wire lengths available upon request, consult sales department.**  
 Options: Add Suffix "A": for Self Aligning Mounting Clip, Ideal for U-Lamp Applications  
 Add Suffix "SS" for Stainless Steel Spring

The Blue "O" Ring is a registered trademark of Voltarc.  
 Dead Front Design US patent No. 5,122,074

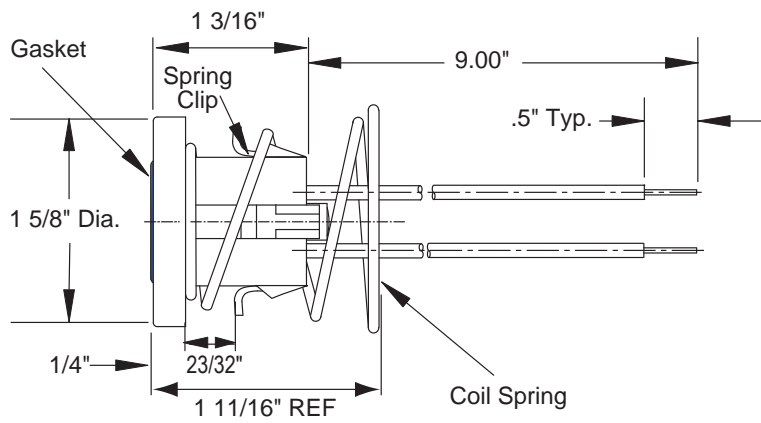
**Mounting Panel Cutout**  
Recommended Panel Thickness  
.031-.062"



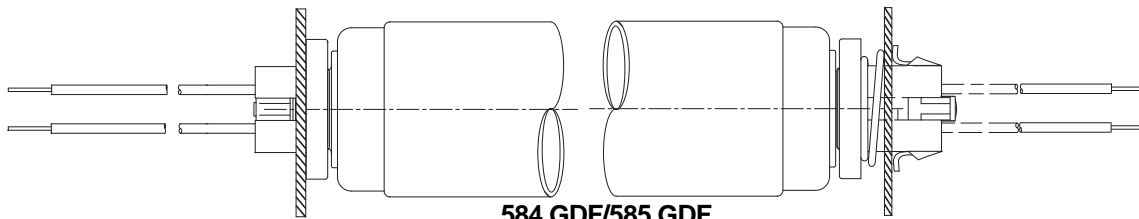
**For U-Lamps**  
**584GDF-A Self-Aligning**



**585.GDF™**

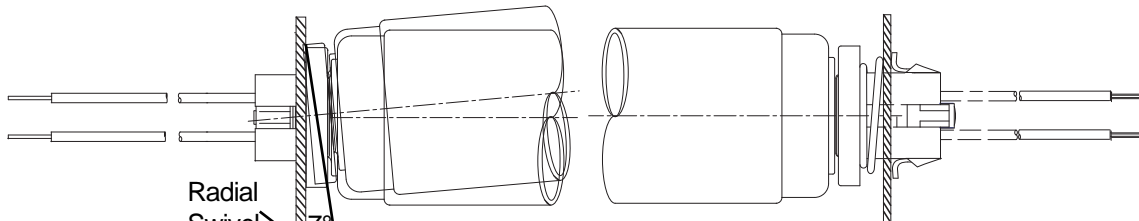


**Panel to Panel Spacing**



**584.GDF/585.GDF**  
Nominal Lamp LENGTH minus 1 3/4"  $+ 1/16"$   
 $- 1/32"$

**584.GDF-A/585.GDF**  
Nominal Lamp LENGTH minus 1 11/16"  $+ 1/16"$   
 $- 1/32"$



**584.GDF-A/585.GDF**  
Nominal Lamp LENGTH minus 1 19/32"  $+ 1/16"$   
 $- 1/32"$