

# Medium Bi-Pin Lampholders

Designed for use with Electronic Ballasts



## 1800CIJ Series Internally Shunted and 1800CJ Series Externally Shunted, Low Profile for T8 and T12 lamps

### Specifications

**Rating:** 660 Watts, 600 V

**Listing:** UL File No. E-13408; CSA File No. LR95423

**Mounting:** Slide-on for 18 or 20 gauge panels (top slot 20 gauge, bottom slot 18 gauge), with or without palnut.

### Materials:

**Housing:** White urea

**Contacts:** Copper alloy, edge wipe configuration

**Termination:** "Wire fast" terminals for No. 18 AWG stranded (twisted, tinned and solder dipped or fused) or No. 18 AWG solid copper wire with 3/8" strip length.

**1800.CJSC**  
Shunted with  
Spring Clip

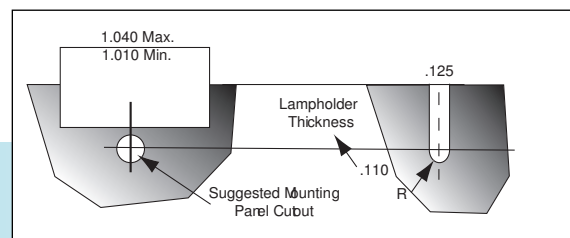
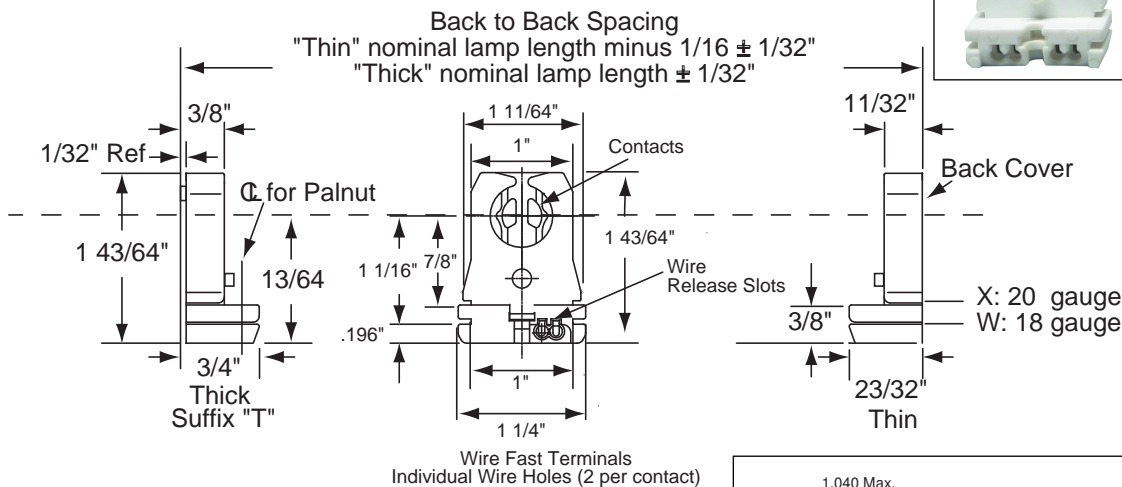


**1800.CIJ**  
Internally  
Shunted

**Special:** Item can be factory wired per customer specifications for length, strip and wire material.



**External boss on 1800.CJT8 model prevents installation of T12 lamps.**



## Kulka® 1800.CIJ Series

Part No.

Internally  
shunted

Externally  
shunted

1800.CIJ	1800.CJ	Low Profile for T8 and T12, no boss
1800.CIJT8	1800.CJT8	Low Profile boss for T8, prevents installation of T12 lamp
1800.CIJP	1800CJP	Low Profile for T8 and T12 with palnut, no boss
1800.CIJSC	1800CJSC	Low Profile for T8 and T12 with springclip, no boss

Packed 1250/ box. No. 6/32 x 1/2" mounting screws sold in bulk (p/n 8063.216.001)