

Medium Bi-Pin Lampholders



1717 Series Low Profile, Straight Insertion

Specifications

Rating: 660 Watts, 600 V

Listing: UL File No. E-13408;
CSA File No. LR95423

Mounting: Slide-on for either 18 or 20 gauge panels
(top slot 20 gauge, bottom slot 18 gauge), or screw mount

Materials:

Housing: White urea

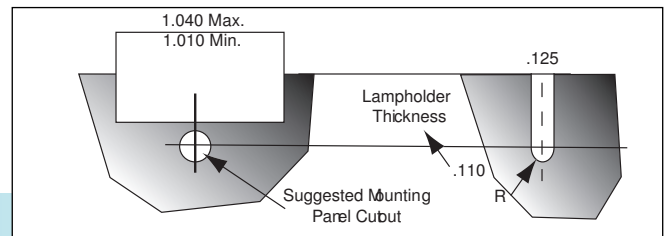
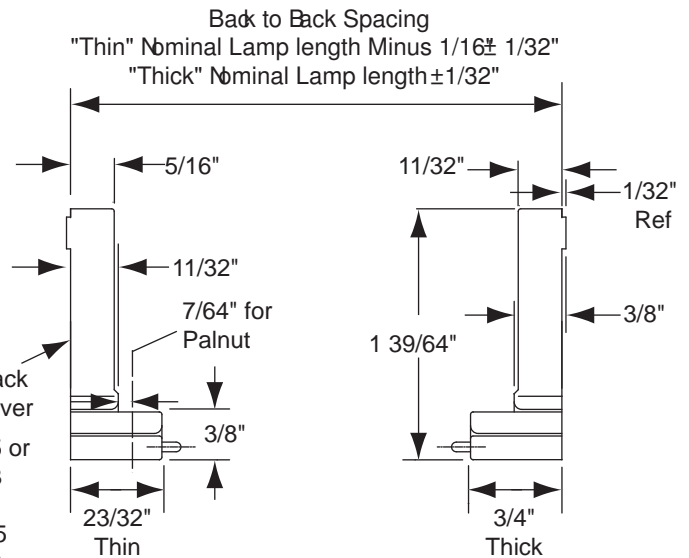
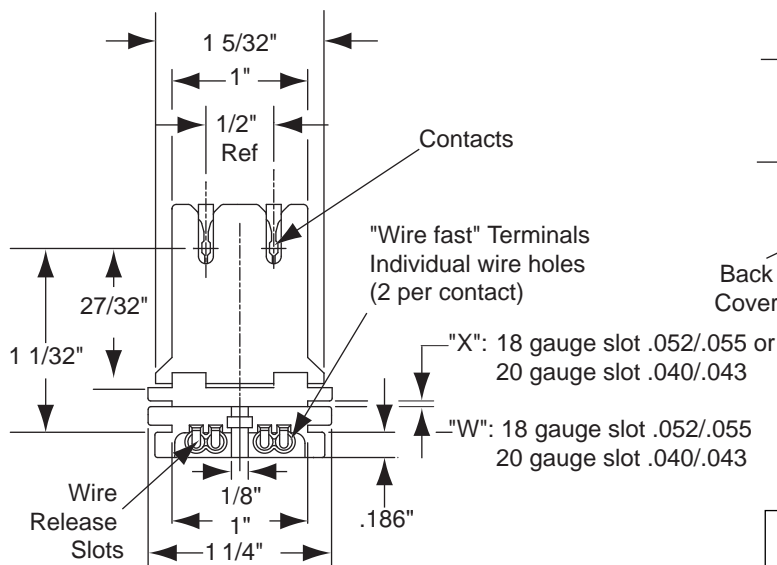
Contacts: Copper alloy

Termination: "Wire fast" terminals for No. 18 AWG stranded
(twisted, tinned and solder dipped or fused) or No. 18 AWG solid
copper wire with 3/8" strip length.

1717.C



Special: Item can be factory wired per customer specifications for length, strip and wire material.



Kulka® 1717 Series

Part No.

1717.C	Slide-on or screw mount for either 20 gauge or 18 gauge panels
1717.CP	Slide-on or screw mount for either 20 gauge or 18 gauge panels with No. 4-36 Palnut
1717.CPS	Slide-on or screw mount for either 20 gauge or 18 gauge panels with No. 4-36 Palnut with screws (No. 4-36 x 3/8" screws supplied in bulk)
1717.CT	Slide-on or screw mount for either 20 gauge or 18 gauge panels with 3/8" body thickness
1717.CPT	Slide-on or screw mount for either 20 gauge or 18 gauge panels with 3/8" body thickness with #4-36 palnut

Packed 1250/ box. No. 4-36 x 3/8" screws sold separately p/n: **8043.612.002**.