

Medium Bi-Pin Lampholders



590 Series Turn Lock, Multi-mount Lampholders

Specifications

Rating: 660 Watts, 600 V

Listing: UL File No. E-13408;

CSA File No. LR95423

Mounting: Butt-on, (4/36 tapped hole for screw mounting, 4-40 clearance hole for rivet mounting; spring clip for snap-in mounting or with a variety of brackets.)

Materials:

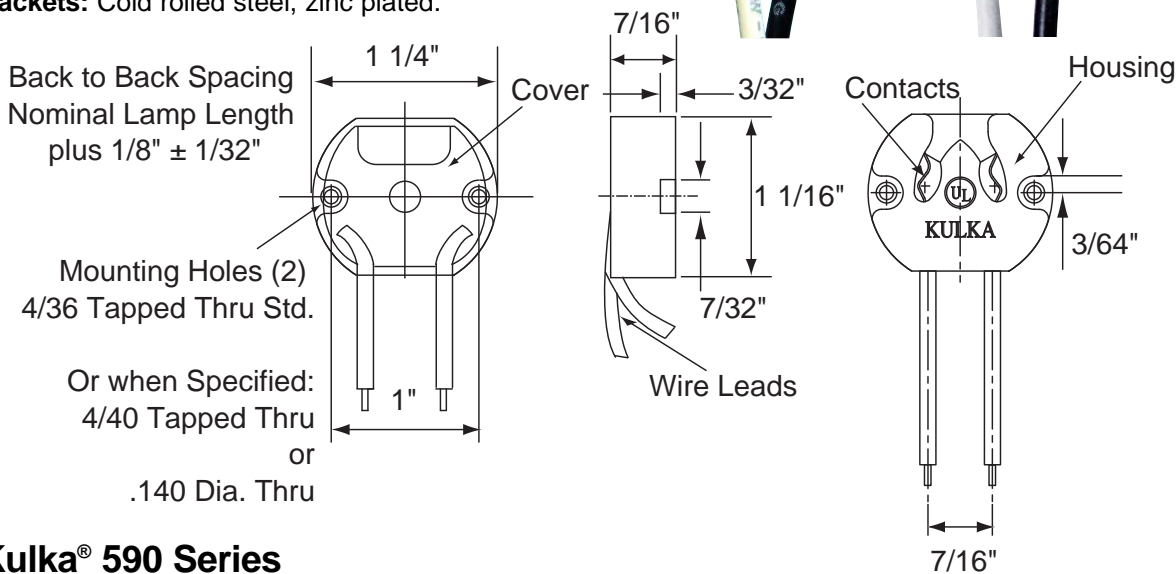
Housing: White urea or Black phenolic

Contacts: Copper alloy, surface wipe configuration

Termination: Lead wires 9" (228.6 mm) long, 18 gauge stranded and tinned lead wires, 1/2" stripped, standard.

Wire rated: AWM 600 V, 105°C (221°F).

Brackets: Cold rolled steel, zinc plated.



Kulka® 590 Series

Black Part No.	White Part No.	
590.B	590.W	Butt-on mount, 9" lead wire standard. 4/36 tapped thread
590.BCL	590.WCL	Butt-on mount, 9" lead wire standard. .140" dia. clearance hole
590.BSC	590.WSC	Butt-on mount, 9" lead wire standard with spring clip
590.BR1†	590.WBR1†	Bracket mount, 9" lead wire standard with BR1 bracket
590.BR2†	590.WBR2†	Bracket mount, 9" lead wire standard with BR2 bracket
590.BR3†	590.WBR3†	Bracket mount, 9" lead wire standard with BR3 bracket
590.BR4†	590.WBR4†	Bracket mount, 9" lead wire standard with BR4 bracket
590.BR5†	590.WBR5†	Bracket mount, 9" lead wire standard with BR5 bracket

Packed 1000/ box. Longer lead lengths are available, Consult Sales Department. Bracket not sold separately.

†supplied with No. 4/36 x 3/8" mounting screws in bulk (p/n 8043.612.002)

