

# Medium Bi-Pin Lampholders

## For 800mA Lamps



### 588.GDF™ & 589.GDF™ Series Lampholders



Completely isolates the face of the socket from ground. No metal clips means no corrosion or electrical grounding.

The Socket Sentry™ protective shield for lamp base and lampholder when installed on the bottom of a vertically installed T12 fluorescent lamp with a Kulka 588/589 Series lampholder will provide a shield of the lampglass, lampbase and lampholder electrical connection from water-spray, condensation, leakage and dust.



The Blue "O" Ring is a registered trademark of Voltarc®

#### Specifications

**Rating:** 660 Watts, dual rated 600V or 1000V.

**Listing:** UL File No. E-13408; CSA File No. LR9105.

UL listed and CSA certified for outdoor use in enclosed signs and fixtures.

**Mounting:** Snap-In, Dead Front Design

#### Materials

**Housing:** White urea

**Contacts:** Silver plated phosphor bronze, self wiping.

**Mounting Clips:** Fabulex™ Thermoplastic.

**Gasket:** Blue silicone treated neoprene "O" ring

**Termination:** Lead wires 9" (228.6 mm) long, 18 AWG stranded and tinned lead wires, 1/2" stripped, standard. Wire rated: AWM 1000V, 90°C (194°F).

#### 582B Series Socket Sentry™ Protective Shield for Lamp Base Lampholder

**Flammability Rating:** UL-94B

The Socket Sentry™ is intended to cover, not seal, the lampholder. The Socket Sentry™ should be replaced when relamping.

Part No.	Material	Service Temp.
582.BB	Black Neoprene	-65°F to +225°F
582.BS	Translucent Silicone	-180°F to +525°F



Socket Sentry™ is a trademark of Voltarc® U.S. Patent No. 5,069,633.

### Kulka® 588.GDF™ / 589.GDF™ Series

Stationary Part No.	Spring Part No.	
588.GDF	589.GDF	Snap-in mounting, 9" long leadwires, gasket and pitch.
588.PDF	589.PDF	Snap-in mounting, 12" long leadwires, pitch only.



Pitch to insulate electrical contacts (588.GDF™ back shown)

588.GDF packed 250/ box. 589.GDF packed 100/ box.

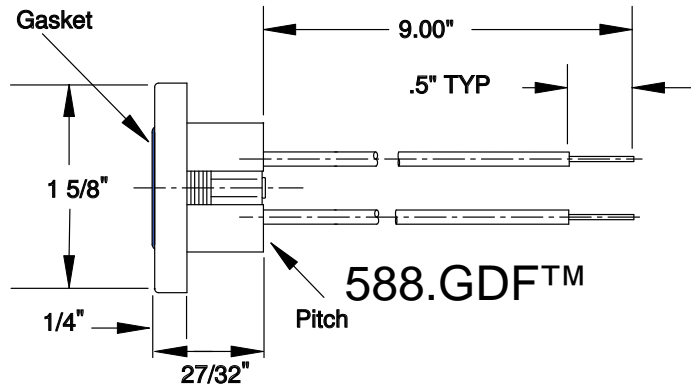
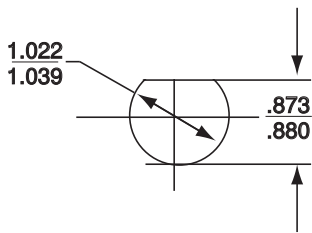
**Special lead wire lengths available upon request, consult sales department.**

Options: Add Suffix "A": for Self Aligning Mounting Clip, Ideal for U-Lamp Applications.

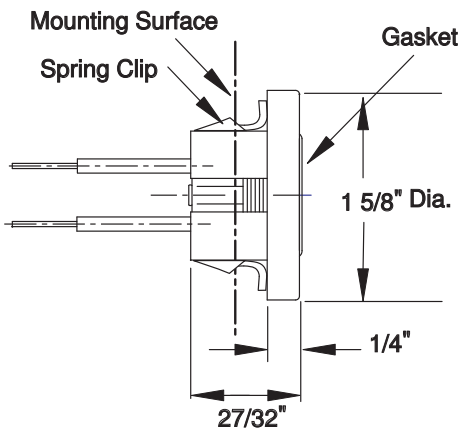
Add Suffix "SS" for Stainless Steel Spring

The Blue "O" Ring is a registered trademark of Voltarc®  
Dead Front Design US patent No. 5,122,074

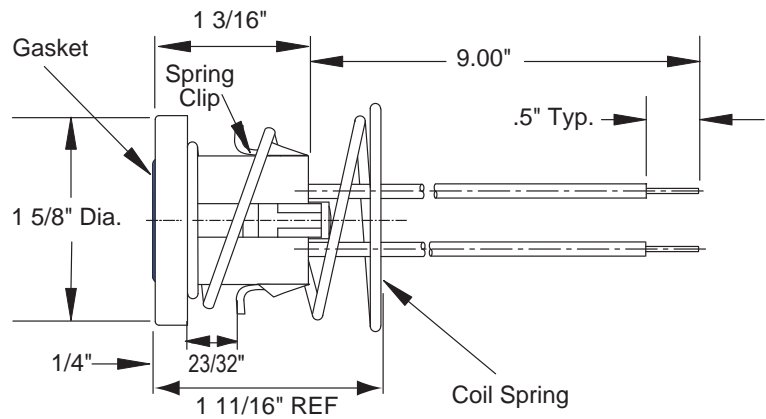
**Mounting Panel Cutout**  
Recommended Panel Thickness  
.031-.062"



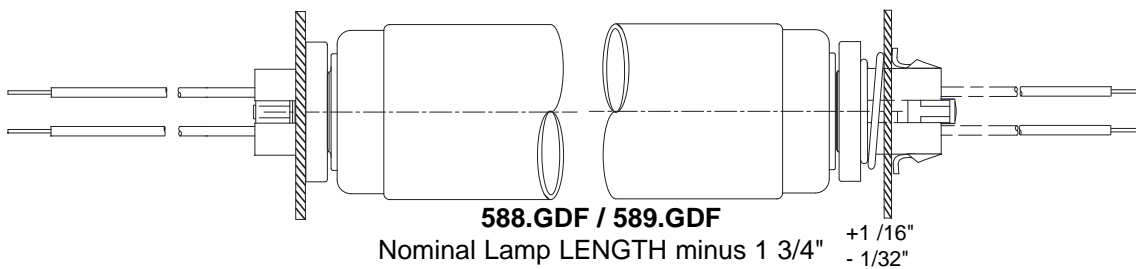
**For U-Lamps**  
588GDF-A Self-Aligning



589.GDF™



**Panel to Panel Spacing**



**588.GDF-A / 589.GDF**  
Nominal Lamp LENGTH minus 1 11/16" +1/16"  
-1/32"

