

Medium Bi-Pin Lampholders



542 & 543 Series Lampholders

Suitable for outdoor applications when properly enclosed.

Specifications

Rating: 660 Watts, 600 V.

Listing: UL File No. E-13408;

CSA File No. LR95423.

542.X and 543.X versions UL listed and CSA certified for outdoor use in enclosed signs and fixtures.

Mounting: Butt-on mount or with a variety of brackets.

Materials

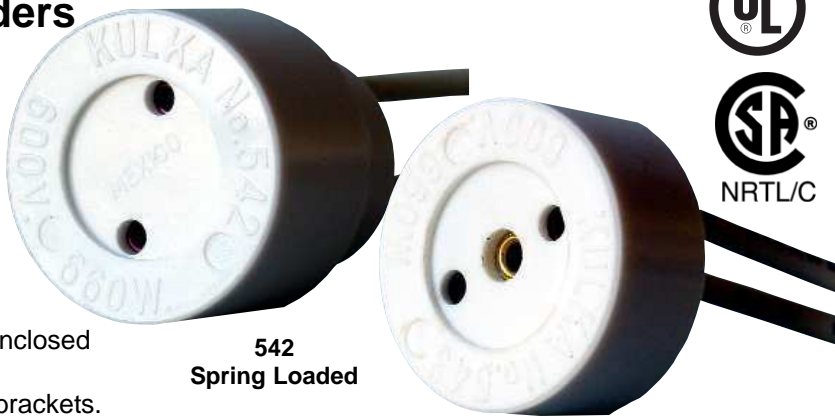
Housing: White urea

Contacts: Copper alloy

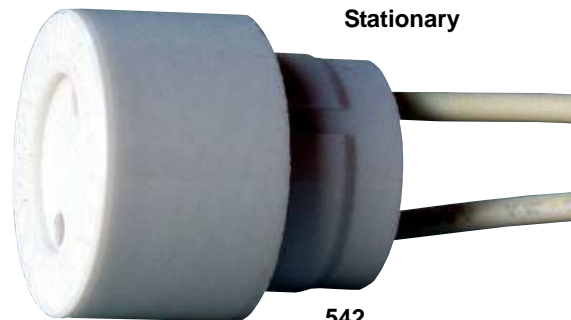
Termination: Lead wires 9" (228.6 mm) long, 18 AWG stranded and tinned lead wires, 1/2" stripped, standard.

Wire Rated: AWM 600V, 105°C (221°F).

Brackets: Cold roll steel, zinc plated

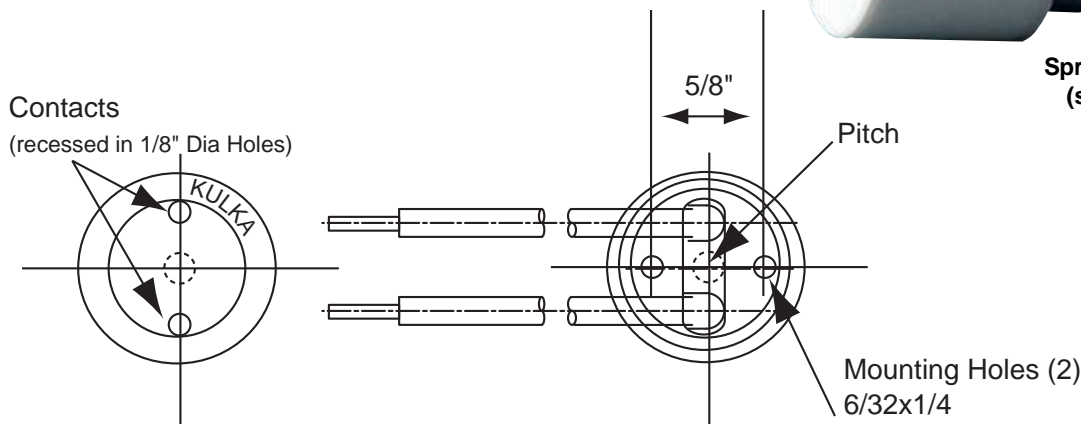


542
Spring Loaded



543
Stationary

542
Spring Loaded
(side view)



Kulka® 542 / 543 Series

Spring
Part No.

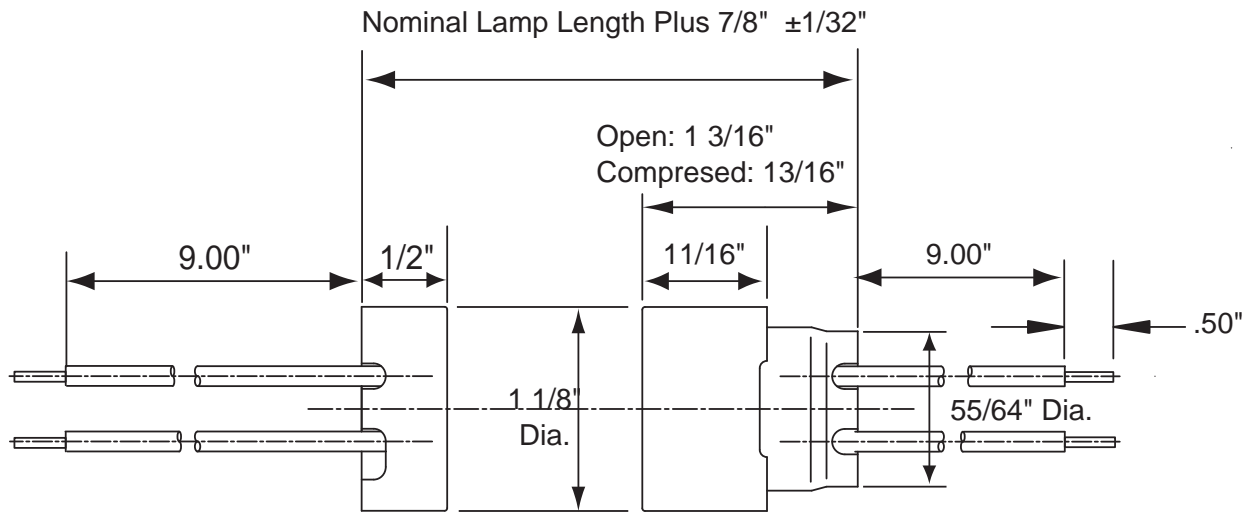
Stationary
Part No.

542	543	Butt-on mounting, 9" long leadwires
542.X	543.X	Butt-on mounting, 9" long leadwires with pitch
542.H*	543.H*	Butt-on mounting, 9" long leadwires with H bracket
542.HU*	543.HU*	Butt-on mounting, 9" long leadwires with HU bracket
542.XHU*	543.XHU*	Butt-on mounting, 9" long leadwires with HU bracket with pitch

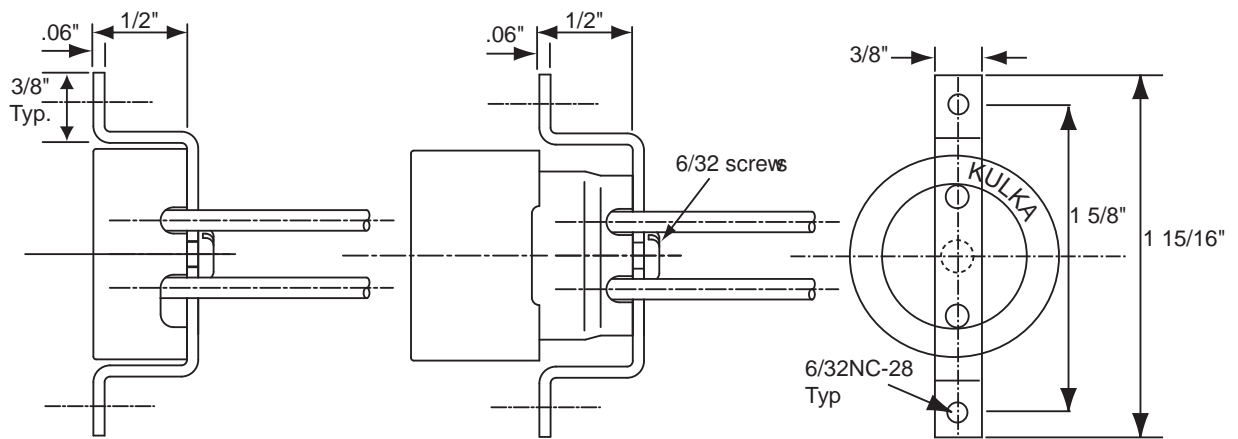
Packed 500/ box. **Special lead wire lengths available upon request, consult sales department.**

*supplied with No. 6/32 x 1/4" mounting screws in bulk (p/n 8063.208.001).

*H and HU bracket styles packed 250/ box.



HU Bracket



H Bracket

