

# Medium Bi-Pin Lampholders

## For 400 and 800mA **Instant Start** Lamps

Internally shunted for single wire electronic ballast applications



### 534K-IS™ Series Snap-In Lampholders

#### Specifications

**Rating:** 660 Watts, dual rated 600 V or 1000 V

**Listing:** UL File No. E-13408;

UL Listed for outdoor use in enclosed signs and fixtures

**Mounting:** Snap-In

**Materials**

**Housing:** White urea

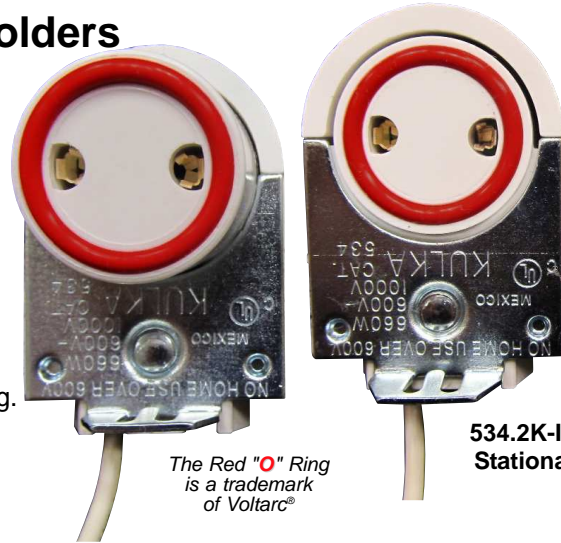
**Contacts:** Silver-plated phosphor bronze

**Gasket:** Red silicone treated neoprene "O" ring.

**Termination:** Lead wire 9" (228.6 mm) long, 18 AWG stranded and tinned lead wires, 1/2" stripped, standard. Wire rated: AWM 1000 V, 90°C (194°F).

**534.1K-IS™  
Spring Loaded**

**534.2K-IS™  
Stationary**

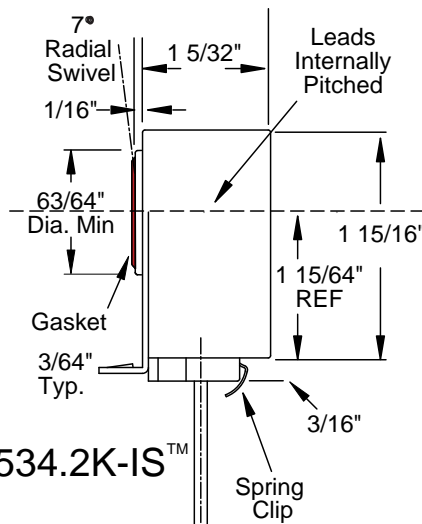


The Red "O" Ring is a trademark of Voltarc®

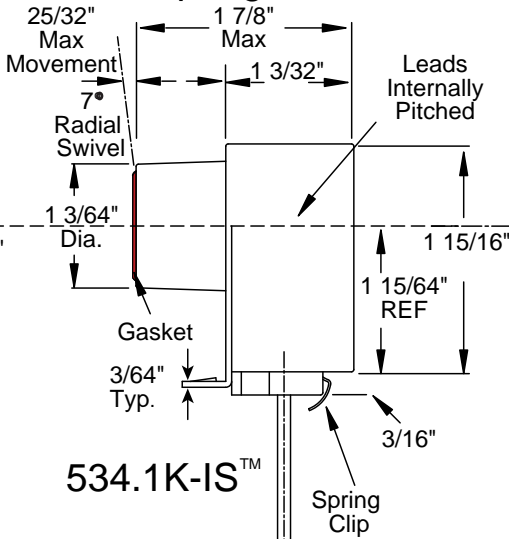


Stationary

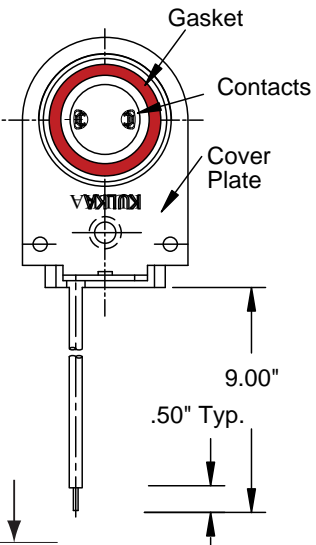
Spring Loaded



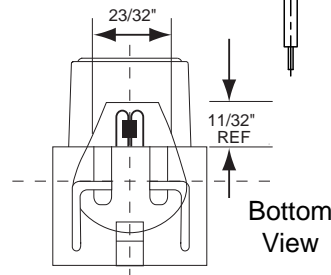
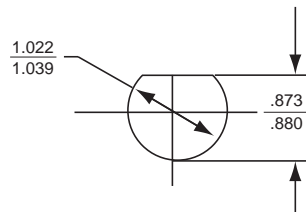
534.2K-IS™



534.1K-IS™



**Mounting Panel Cutout**  
Recommended Panel Thickness  
No. 20 - No. 18 AWG STD  
(.036-.048")  
534.18K or 534.28K is  
.125" panel thickness



Bottom View

### Kulka® 534K-IS™ Series

Spring Part No.	Stationary Part No.
-----------------	---------------------

534.1K-IS	534.2K-IS	Snap-in mounting, 9" long leadwires. Pitch and gasket are standard
534.18K-IS	534.28K-IS	Snap-in mounting, 9" long leadwires. .125" Panel thickness, pitch and gasket are standard

Packed 200/ box. **Special lead wire lengths available upon request, consult sales department.**  
The Red "O" Ring is a trademark of Voltarc®