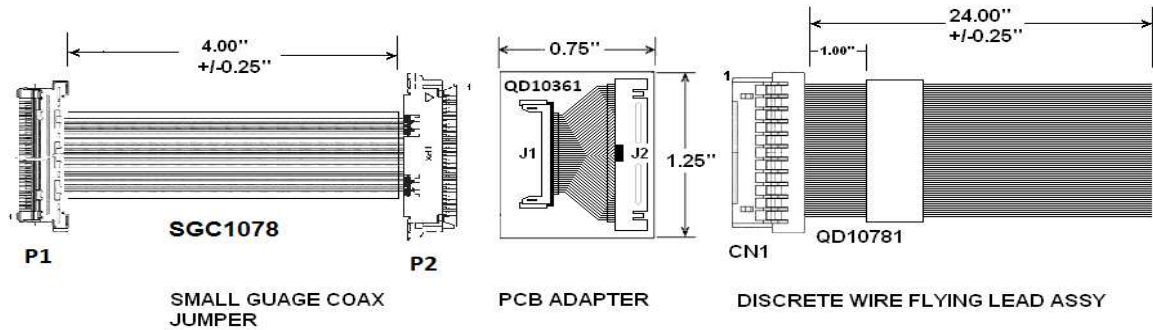


P1	P2	J1	J2	CN1	COLOR
1	30	30	30	30	White
2	29	29	29	29	Grey
3	28	28	28	28	Violet
4	27	27	27	27	Blue
5	26	26	26	26	Green
6	25	25	25	25	Yellow
7	24	24	24	24	Orange
8	23	23	23	23	Red
9	22	22	22	22	Brown
10	21	21	21	21	Black
11	20	20	20	20	White
12	19	19	19	19	Grey
13	18	18	18	18	Violet
14	17	17	17	17	Blue
15	16	16	16	16	Green
16	15	15	15	15	Yellow
17	14	14	14	14	Orange
18	13	13	13	13	Red
19	12	12	12	12	Brown
20	11	11	11	11	Black
21	10	10	10	10	White
22	9	9	9	9	Grey
23	8	8	8	8	Violet
24	7	7	7	7	Blue
25	6	6	6	6	Green
26	5	5	5	5	Yellow
27	4	4	4	4	Orange
28	3	3	3	3	Red
29	2	2	2	2	Brown
30	1	1	1	1	Black



**LABEL = QD# + CODE**

DWG BY: CL	DATE: 7/30/09	DRAWINGS ARE NOT TO SCALE. ALL DIMENSIONS ARE IN INCHES UNLESS OTHERWISE SPECIFIED. ALL TOLERANCES ARE +/- 0.50" UNLESS OTHERWISE SPECIFIED
CHK BY: ML	DATE: 7/30/09	
APPR: CL	DATE: 7/30/09	

**REVISION HISTORY**

REV	DATE	APPROVED
-----	INITIAL RELEASE	8/13/2013 VB



Quadrangle Products Inc.  
28 Harrison Ave Building 16  
Suite D Englishtown, NJ 07726  
Tel: 732-792-1234  
Fax: 732-792-8305

© Copyright 2006 Quadrangle Products Inc. This document is confidential and proprietary to Quadrangle Products Inc. and shall not be reproduced, copied, used, or issued as the basis of manufacture or sale of equipment, material, or any other item. Quadrangle Products Inc. has the sole and exclusive ownership rights to this document and information contained herein.

**SGK-108**