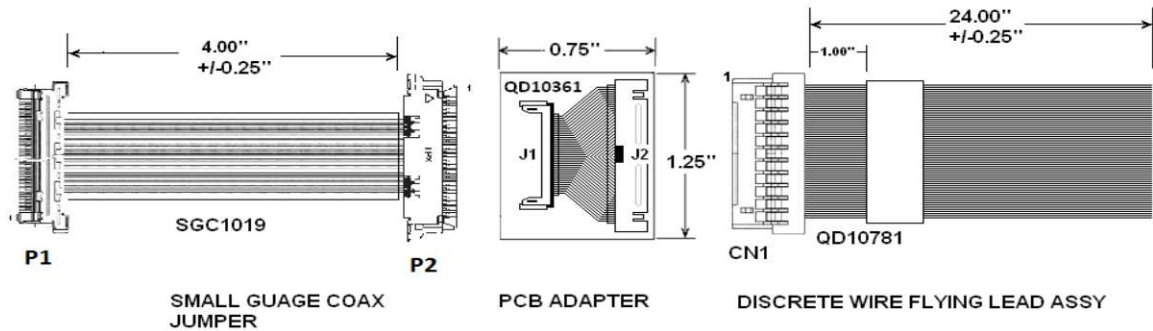


P1	P2	J1	J2	CN1	COLOR
1	40	40	40	40	White
2	39	39	39	39	Grey
3	38	38	38	38	Violet
4	37	37	37	37	Blue
5	36	36	36	36	Green
6	35	35	35	35	Yellow
7	34	34	34	34	Orange
8	33	33	33	33	Red
9	32	32	32	32	Brown
10	31	31	31	31	Black
11	30	30	30	30	White
12	29	29	29	29	Grey
13	28	28	28	28	Violet
14	27	27	27	27	Blue
15	26	26	26	26	Green
16	25	25	25	25	Yellow
17	24	24	24	24	Orange
18	23	23	23	23	Red
19	22	22	22	22	Brown
20	21	21	21	21	Black
21	20	20	20	20	White
22	19	19	19	19	Grey
23	18	18	18	18	Violet
24	17	17	17	17	Blue
25	16	16	16	16	Green
26	15	15	15	15	Yellow
27	14	14	14	14	Orange
28	13	13	13	13	Red
29	12	12	12	12	Brown
30	11	11	11	11	Black
31	10	10	10	10	White
32	9	9	9	9	Grey
33	8	8	8	8	Violet
34	7	7	7	7	Blue
35	6	6	6	6	Green
36	5	5	5	5	Yellow
37	4	4	4	4	Orange
38	3	3	3	3	Red
39	2	2	2	2	Brown
40	1	1	1	1	Black



LABEL = QD# + CODE

DWG BY: CL	DATE: 7/30/09	DRAWINGS ARE NOT TO SCALE. ALL DIMENSIONS ARE IN INCHES UNLESS OTHERWISE SPECIFIED. ALL TOLERANCES ARE +/- 0.50" UNLESS OTHERWISE SPECIFIED
CHK BY: ML	DATE: 7/30/09	
APPR: CL	DATE: 7/30/09	

REVISION HISTORY			
REV		DATE	APPROVED
-----	INITIAL RELEASE	7/30/2009	CL



Quadrangle Products Inc.
28 Harrison Ave Building 16
Suite D Englishtown, NJ 07726
Tel: 732-792-1234
Fax: 732-792-8305

© Copyright 2006 Quadrangle Products Inc.
This document is confidential and proprietary to Quadrangle Products Inc. and shall not be reproduced, copied, used, or issued as the basis of manufacture or sale of equipment, material, or any other item. Quadrangle Products Inc. has the sole and exclusive ownership rights to this document and information contained herein.

SGK-105