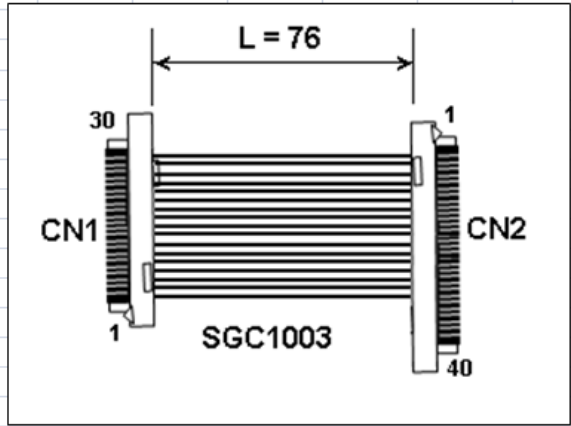


CN1	CN2	
1	30	CN1 = IPEX 20346-30T-02 (Includes Shell)
2	29	
3	28	CN2 = IPEX 20346-40T-02 (Includes Shell)
4	27	
5	26	Wire = Small Guage Coaxial C Laminate AWG 40 UL1354
6	25	
7	24	L = Length mm
8	23	
9	22	Notes:
10	21	1- Shields of each coax to be terminated to CN1 & 2 connector shells.
11	20	2- Strain relieve wire and connectors
12	19	
13	18	
14	17	
15	16	
16	15	
17	14	
18	13	
19	12	
20	11	
21	10	
22	9	
23	8	
24	7	
25	6	
26	5	
27	4	
28	3	
29	2	
30	1	



DWG BY: MHB DATE: 3/15/10
 CHK BY: DATE:
 APPR: - DATE: -

DRAWINGS ARE NOT TO SCALE. ALL DIMENSIONS ARE IN INCHES UNLESS OTHERWISE SPECIFIED. ALL TOLERANCES ARE +/- 0.50" UNLESS OTHERWISE SPECIFIED



Quadrangle Products Inc. 28
 Harrison Ave Bldg 16, Suite D,
 Englishtown, NJ 07726

Tel: 732-792-1234
 Fax: 732-792-8305

REVISION HISTORY			
REV		DATE	APPROVED
-----	INITIAL RELEASE	3/15/10	MHB
A			
B			
C			
D			

© Copyright 2006 Quadrangle Products Inc. This document is confidential and proprietary to Quadrangle Products Inc. and shall not be reproduced, copied, used, or issued as the basis of manufacturing and/or sale of equipment, material, or any other item. Quadrangle Products Inc. has the sole and exclusive ownership rights to this document and information contained herein.

SGC1003